

**PRESSURE SWITCH TYPE XP601**

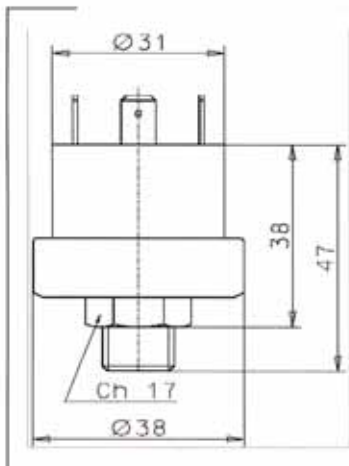
**Hot Water, Steam  
Aggressive Media**

Wetted Materials	Stainless Steel AISI 304 Stainless Steel AISI 316
Main Body	Technopolymer (PET)
Ambient Temperature	-10 ~ +50 °C
Media Temperature	-10 ~ +125 °C
Burst Pressure	>30 Bar
Electrical	SPDT 10(2) - 250 VAC <sup>H</sup> SPST NO/NC 10(2) - 250 VAC <sup>H</sup>
Electrical Connection	Terminal 6.3 x 0.8
Thermal Drift	0.04 bar / 10 °C to datum 20 °C
Protection	IP45 with Cap A0158100.020



*Ideal for Hot Water, Steam and  
aggressive media*

Pressure Connection	Part Number	Adjustable Pressure Range	Fixed Differential	Electrical Data	Weight
Inches		Bar	Bar		gm
G <sup>1</sup> / <sub>8</sub> M	<b>XP83FE61.000</b>	4.0—9.0	0.50 ± 0.20	10 A x 250 V	80
G <sup>1</sup> / <sub>8</sub> M	<b>XP83GE61.000</b>	9.0—15.0	0.70 ± 0.30	10 A x 250 V	80



Homologations

EN60730-1  
EN60730-2-6



Electrical Connections