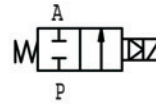
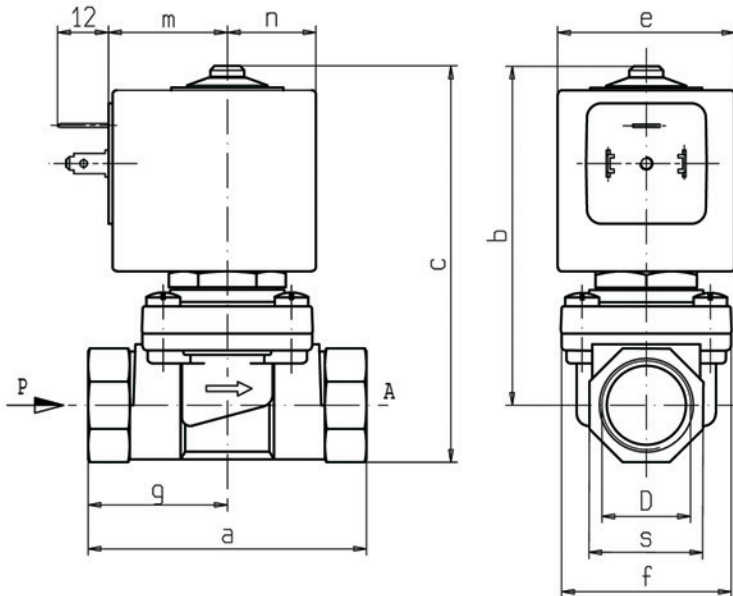




SOLENOID VALVE
2/2 - NC (Normally closed)
Pilot operated hung diaphragm
G 1/2 - 3/4 - 1

L153



D	a	b	c	e	f	m	n	s	g
G 1/2	66	80,5	94	42	41	28	21	27	-
G 3/4	79	85,5	102,5	42	51	28	21	33	-
G 1	105	106	127	48,6	71	35	24,3	42	46

► **GENERAL FEATURES**

Pilot operated hung diaphragm solenoid valve, with full orifice.
 Suitable to shut off liquid and gaseous fluids; particularly suitable to shut off overheated water and steam (verify the compatibility of fluid with materials in contact).
 Not suitable for use with dangerous fluids listed in Group 1, therefore they are free from CE marking in conformity with article 3 § 3 of the European Directive 97/23/EC (Pressure Equipment Directive).

► **TECHNICAL FEATURES**

Maximum allowable pressure (PS) 16 bar
Opening time from ~100ms to ~150ms
Closing time from ~100ms to ~400ms
Fluid temperature -10°C +140°C
Max viscosity 5°E (~37 cStokes or mm²/s)

► **MATERIALS IN CONTACT WITH FLUID**

Body Brass
Sealing EPDM
Diaphragm PTFE
Internal components Stainless steel
Seat Stainless steel
Core tube Stainless steel
Shading coil Copper

► **COIL**

Continuous duty ED 100%
Coil impregnation Polyester resin
Encapsulation material PPS (polyphenylene-sulfide) fiberglass reinforced
Coil insulation H (165°C) - UL
Ambient temperature -10 C° +80 °C
Electric connenctions DIN 46340- 3 poles connectors (DIN 43650)
Protection degree IP 65 (EN 60529) with plug connector
Voltages AC 24V/50Hz - 110V/50Hz (120V/60Hz) - 230V/50Hz (+10% -15%)
 (Other voltages and frequencies on request).

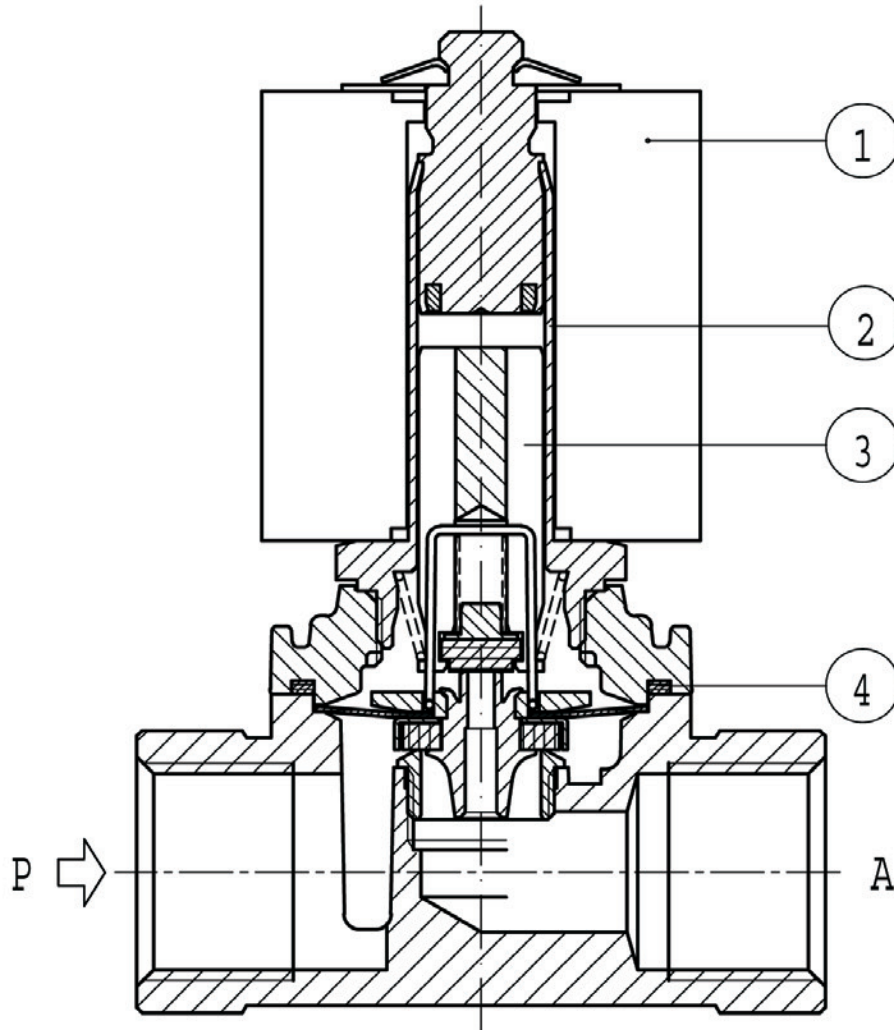
Port size ISO 228	Orifice size (mm)	Differential pressure (bar)						Kv (m ³ /h)	Series and type		Power absorption			Sealings	Function Notes	Weight (kg)
		Δp min	Δp max				Valve		Coil	AC (VA)		DC (W)				
			Gases		Liquids					Inrush	Holding					
			AC	DC	AC	DC										
G1/2	11,5	0	8	-	6	-	2,1	L153D07	Z134A	44	24	-	EPDM	1-2-3	0,660	
G3/4	17						5								0,870	
G1	22						8,5								1,665	

► **NOTES**

- Sealings : EPDM = Ethylene-propylene elastomer
- 1 - For steam (+140°C) - Pmax = 3 bar.
- 2 - Only for use with steam, consider following values: max pressure 3 bar (max temperature of fluid 140°).
- 3 - On request Z130A or Z923A coil encapsulated in PBT (Polybutylene-terephthalate) in class "F" (+140°C): maximum fluid temperature +100°C, maximum ambient temperature +60°C.

L153

► SPARE PARTS



Kit description

Kit P.N.

Consisting of:

Diaphragm core kit	L153D07 L153D5	G1/2 G3/4 G1	G3084101 G3084201 G2836601	Core and sealing disc kit pos.3 OR guide assembly pos. 4
Guide assembly	L153D07 L153D5	G1/2 – G3/4 G1	3078101 2834901	Guide assembly pos. 2
Coil	Z134A Z914A			Coil pos. 1

► INSTALLATION

Solenoid valve can be mounted in any position; vertical with coil upwards preferred.