

2 Piece Ball Valve PN63 Male- Female

Size: DN 1/4" to 2"

Ends: Male - Female BSP

Min Temperature: - 20°C

Max Temperature: +180°C

Max Pressure: 63 Bars

Specifications: Anti blow-out stem

Locking device

Reduced bore

Materials: Stainless steel



2 PIECES BALL VALVE PN63 MALE - FEMALE

SPECIFICATIONS :

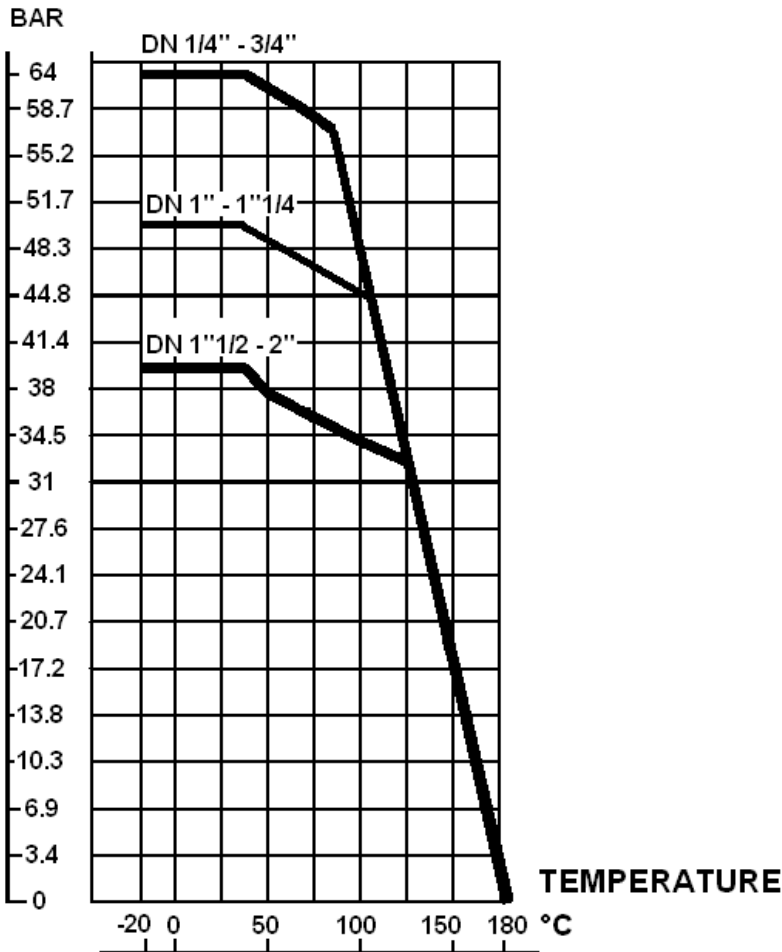
- Reduced bore
- Anti blow-out stem
- PTFE packing
- Locking device
- Solid ball
- 2 pieces type

USE :

- Chemical and pharmaceutical industries, petrochemical industries, hydraulic installation, compressed air
- Min and max Temperature Ts : -20°C to + 180°C
- Max Pressure Ps : 63 bars up to DN3/4", 50 bars DN 1" to 1"1/4 and 40 bars DN 1"1/2 to 2" (see graph)

PRESSURE / TEMPERATURE GRAPH (STEAM EXCLUDED) :

PRESSURE



REF. 789

2 PIECES BALL VALVE PN63 MALE - FEMALE

RANGE :



- Stainless steel Male / female cylindrical BSP threaded with red flat steel handle DN 1/4" to DN 2"



- Blue handle cover **Ref. 9830380 to 9830383** from DN 1/4" to DN 2"

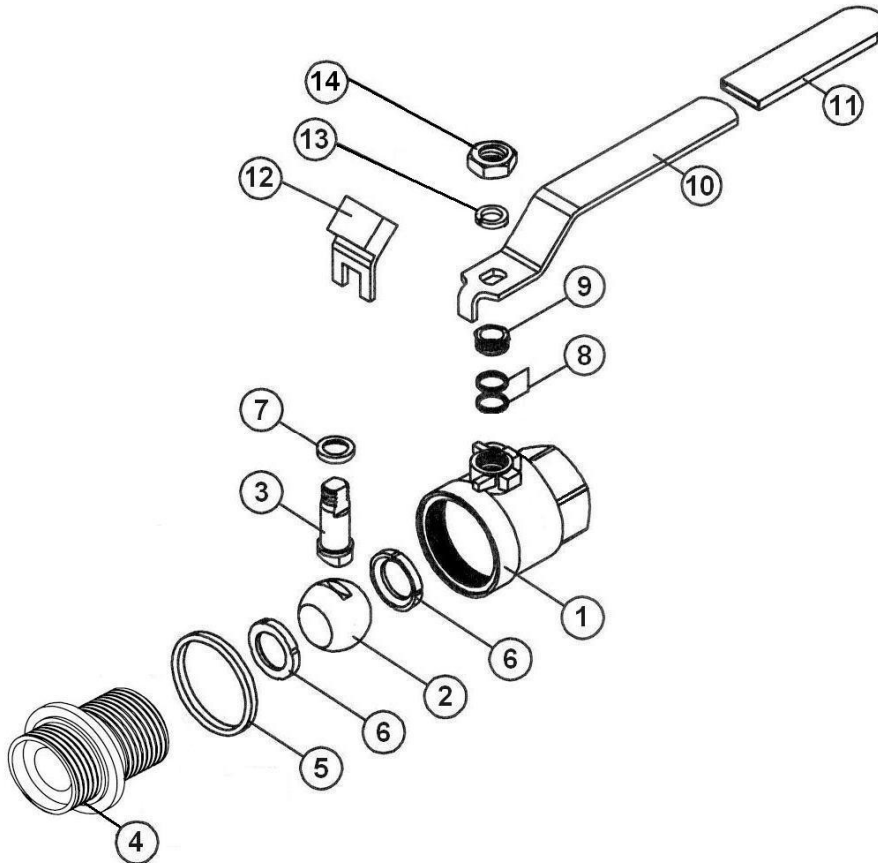


- S.S.304 red butterfly handle **Ref. 9831131 to 9831134** from DN 1/4" to DN 1"

REF. 789

2 PIECES BALL VALVE PN63 MALE - FEMALE

MATERIALS :

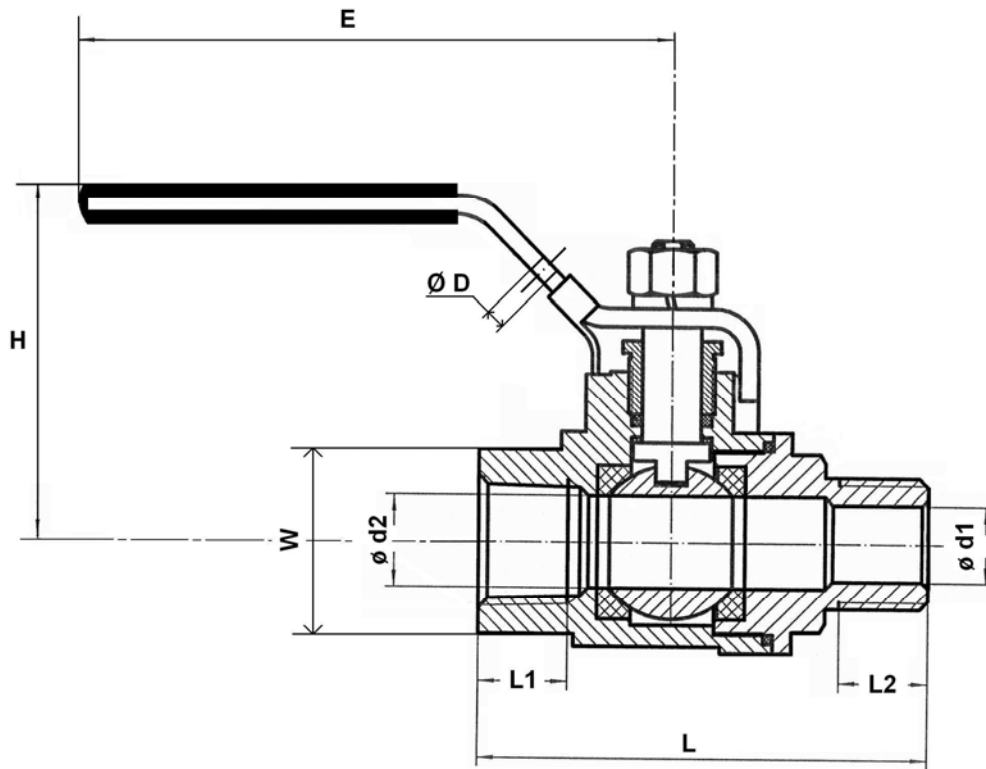


Item	Designation	Materials
1	Body	ASTM A351 CF8M
2	Ball	ASTM A351 CF8M
3	Stem	SS 316
4	Bonnet	ASTM A351 CF8M
5	Body seal	PTFE
6	Seat	PTFE filled with 15% glass
7	Stem gasket	PTFE
8	Packing	PTFE
9	Packing nut	SS 304
10	Handle	SS 304
11	Handle cover	Plastic
12	Locking device	SS 304
13	Washer	SS 304
14	Handle nut	SS 304

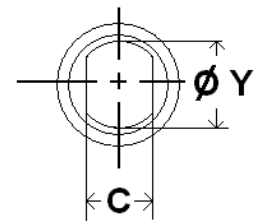
REF. 789

2 PIECES BALL VALVE PN63 MALE - FEMALE

SIZE (in mm) :



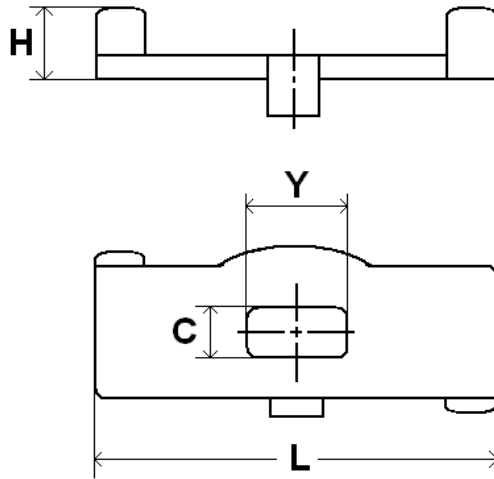
Stem size :



Ref.	DN	1/4"	3/8"	1/2"	3/4"	1"	1"1/4"	1"1/2"	2"
789	Ø d1	7.5	8.5	12.5	17.5	23.6	30.8	36.6	47.5
	Ø d2	9.2	12.5	15	20	25	32	38	49
	L	62.5	63.5	74	82	98.5	112	126	151
	Ø D	8	8	8	8	8	8	8	8
	E	81	81	100	100	148	148	190	190
	H	47.8	52	56.5	58.5	74	78	92	103
	L1	10	12	13.5	16	16.5	19	19	22
	L2	10.6	11.2	14.7	16.2	19	21.5	21.5	25.8
	W on flat	22	22	26	32	38	48	54	68
	C	4	5	6.5	6.5	8	8	8.5	8.5
	Ø Y	6	7	7.5	7.5	9	9	11	11
	Weight (Kg)	0.275	0.27	0.38	0.55	0.81	1.32	1.98	3.26

2 PIECES BALL VALVE PN63 MALE - FEMALE

BUTTERFLY HANDLE SIZE (in mm):



- Ref. 983113 :

DN	1/4"	3/8"	1/2"	3/4"	1"
L	55	55	60	60	70
H	20	20	22	22	28
C	4	5	6.5	6.5	8
Y	7	8	9.5	9.5	11.5

2 PIECES BALL VALVE PN63 MALE - FEMALE**TORQUE VALUES (in Nm without safety coefficient) :**

DN	1/4"	3/8"	1/2"	3/4"	1"	1"1/4	1"1/2	2"
TORQUE (Nm)	2.7	2.7	3	4	5	6	8	10

STANDARDS :

- Fabrication according to ISO 9001 : 2008
- DIRECTIVE 97/23/CE : CE N° 0035
Risk Category III Module H
- Pressure tests according to ISO 5208, range A
- Threaded male and female BSP cylindrical ends according to ISO 228-1

ADVICE : Our opinion and our advice are not guaranteed and Hydravalve shall not be liable for the consequences of damages. The customer must check the right choice of the products with the real service conditions.

INSTALLATION AND MAINTENANCE**BEFORE INSTALLATION :**

Pipe-line must be cleaned and free from residual of weldings, rubbish, shaving and every kind of extraneous materials. Pipe-line must be perfectly aligned and their support properly dimensioned so that there's no external constraint.

Please use the right product according to the services conditions to seal the valve.
Use the right bolt tightening so that the ends won't be damaged.

CLEANING AND TESTS

Keep closed the valves during the cleaning operation so that there's no impurities between the ball and the body.

Tests under pressure must be done with a cleaned pipe-line.

Open partially the valve for tests. Pressure test do not exceed the valve specifications according to EN 12266-1.

MAINTENANCE

It's recommended to operate the valve twice (open and close) 1 to 2 times per year.

When intervention on the valve, be sure there's no pressure in the pipe-line, there's no fluid in it, and that it is isolated. The temperature must be low enough to operate without risks.
If there's a corrosive fluid, inert installation before intervention.

When the valve is under pressure :

If there's a leakage at the packing, tighten it slightly so that the leakage disappears.