

# Compression End WRAS Ball Valves



Full port 10 - 54 mm dezincification - resistant hot forged ball valves

Several governmental authorities recommend use of special allows for valves handling water in areas where there is a problem of dezincification. RuB DZR valves are designed to meet such requirements. Through the use of new technology these valves retain the reliability and competitiveness of brass, but are comparable to bronze in corrosion resistance. Be kind with yourself, make sure the valve that brings you pure fresh water is an RuB DZR valve.



## Quality:

- 24h 100% seal test guaranteed
- Dual sealing system allows valve to be operated in either direction making installation easier
- No metal-to-metal moving parts
- Handle clearly shows ball position
- Silicone - free lubricant on all seals
- Travel stops on body to avoid stresses at stem
- Chrome plated DZR brass ball for longer life

## Body:

- Hot forged sand blasted DZR unplated body and cap sealed with Loctite or equivalent thread sealant
- Dezincification Resistant ADZ-T and ADZ-P brass approved to SBN-PFS 1983:2 and NR-BFS 1988:18 specifications

## Stem:

- Two FPM O-rings at the stem for maximum safety
- Blowout-proof unplated DZR brass stem

## Seals:

Pure PTFE self-lubricating seats with flexible-lip design

## PED Directives:

The product meets the requirements of PED Directive 97/23 and according art.3 par.3, it does not require CE marking; it cannot be used with dangerous gases in sizes larger than 25mm; it cannot be used with non-dangerous gases in sizes larger than 40mm

## Threads:

Compression ends to EN 1254-2 and NKB no.12

## Flow:

Full port to DIN 3357 for maximum flow

## Handle:

- Geomet® carbon steel handle with thick PVC dip coating. Handle coating offers both thermal and electrical protection
- Handle removable with valve in service



## Working Pressure:

- 16 Bar (230 PSI)
- Non-shock cold working pressure

## Working Temperature:

- -20°C (-4°F)
- +120°C (+250°F)
- Warning: freezing of the fluid in the installation may severely damage the valve

## Options:

- T-handle
- Oval lockable handle
- AISI 430 stainless steel handle
- Patented locking device
- Compression ends with extended stem for insulation
- Add-on Brass stem extension

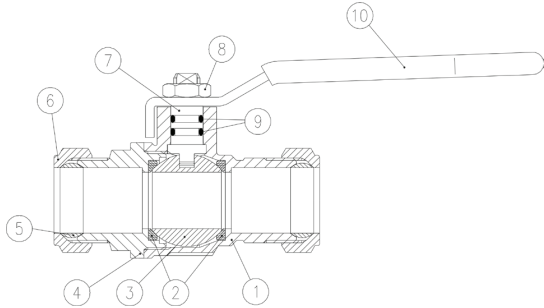
## Upon Request:

- AISI 316 stainless steel ball and/or stem
- Glass filled PTFE ball seals
- Custom Design

- Danish Board of European Technical Approval for Construction Products (Danmark)
- VTT (Finland)
- Swedcert (Sweden)
- Water Regulation Advisor Scheme (United Kingdom)
- Byggforsk 0335 (Norway)

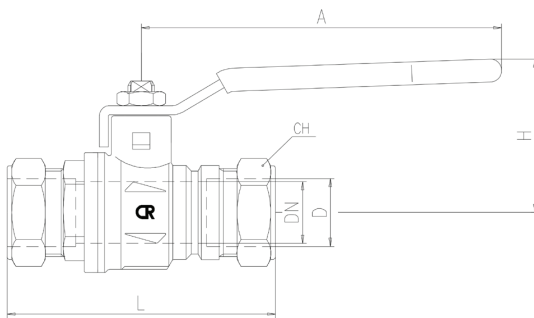
- GOST-R (Russia)
- Rostekhnadzor (Russia)
- Hygenic (Russia)
- UkrSepro (Ukraine)
- RoHS Compliant

**NOTE:** Approvals apply to specific configurations only



Hollow ball for D 35-42 54

	Part Description	Qty	Material
1	Unplated body	1	CW602N
2	Ball seat	2	PTFE
3	Chrome plated ball	1	CW602N
4	Unplated end cap	1	CW602N
5	Ogive	2	CW614N
6	Unplated nut	2	CW614N
7	Unplated stem O-ring design	1	CW602N
8	Geomet® nut	1	CB4FF
9	O-Ring	2	FPM
10	White PVC coated Geomet® Steel handle	1	DD11

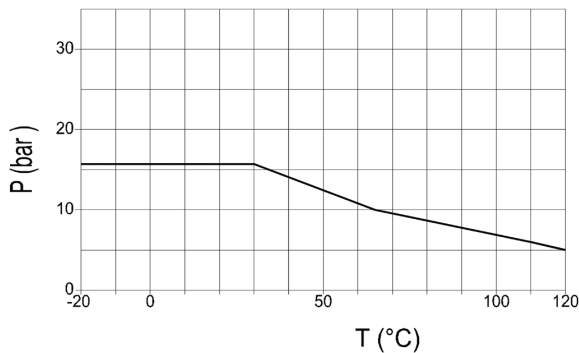


Valve code	S28C10	S28C12	S28D15	S28D18	S28E22	S28F28	S28G35	S28H42	S28I54
D (mm)	10	12	15	18	22	28	35	42	54
DN (mm)	8	10	15	15	20	25	32	40	50
L (mm)	66.5	67	72	78.5	79	90.5	110	128.5	142
A (mm)	100	100	100	100	120	120	158	158	158
H (mm)	38	38	43	43	50	54	73	79	86
CH (mm)	17	19	24	27	32	38.5	48	54	70

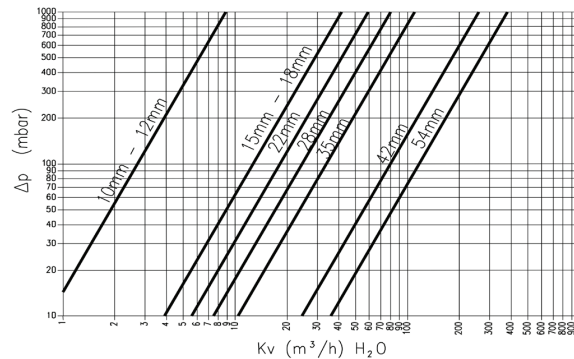
DN shows the nominal flow diameter. Actual flow diameter complies with full port DIN 3357 part 4.

Ask for additional information on the whole range of RuB valves and consult with your supplier for special applications.

**Pressure-Temperature Chart**



**Pressure Drop Chart**



The company reserves all rights for the information contained herein. Products may be changed at any time without notice. Any undated reference to a code or standard shall be interpreted as referring to the latest edition. RuB and logo are registered trademarks of RuB-Rubinetterie utensilerie Bonomi. Others logos are property of respective owners.

