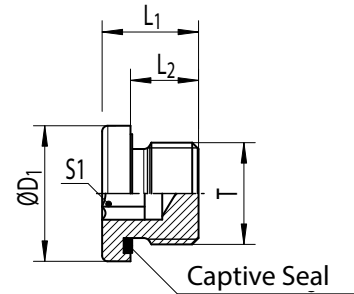


FT-VSTI-WD

Blanking Plugs for Ports (M/R)

CONEXA
PRÄZISIONSARMATUREN



Male metric thread with captive seal (ISO 9974 Type E).
Male BSPP thread with captive seal (ISO 1179 Type E).

| PN [bar] | | T | ØD ₁ [mm] | L ₁ [mm] | L ₂ [mm] | S1 [mm] | Ordering Code* | kg/100 |
|----------|-----|------------|----------------------|---------------------|---------------------|---------|------------------------------|--------|
| C | CF | | | | | | | |
| 400 | 400 | M 10 x 1 | 14 | 12.0 | 8 | 5 | FT-VSTI M 10 x 1 WD | 0.7 |
| | | M 12 x 1.5 | 17 | 17.0 | 12 | 6 | FT-VSTI M 12 x 1.5 WD | 1.3 |
| | | M 14 x 1.5 | 19 | 17.0 | 12 | 6 | FT-VSTI M 14 x 1.5 WD | 1.9 |
| | | M 16 x 1.5 | 22 | 17.0 | 12 | 8 | FT-VSTI M 16 x 1.5 WD | 2.4 |
| | | M 18 x 1.5 | 24 | 17.0 | 12 | 8 | FT-VSTI M 18 x 1.5 WD | 3.2 |
| | | M 20 x 1.5 | 26 | 19.0 | 14 | 10 | FT-VSTI M 20 x 1.5 WD | 4 |
| | | M 22 x 1.5 | 27 | 19.0 | 14 | 10 | FT-VSTI M 22 x 1.5 WD | 4.9 |
| | | M 26 x 1.5 | 32 | 21.0 | 16 | 12 | FT-VSTI M 26 x 1.5 WD | 7.5 |
| | | M 27 x 2 | 32 | 21.0 | 16 | 12 | FT-VSTI M 27 x 2 WD | 7.7 |
| | | M 33 x 2 | 40 | 22.5 | 16 | 17 | FT-VSTI M 33 x 2 WD | 12.5 |
| 315 | 315 | M 42 x 2 | 50 | 22.5 | 16 | 22 | FT-VSTI M 42 x 2 WD | 20.7 |
| | | M 48 x 2 | 55 | 22.5 | 16 | 24 | FT-VSTI M 48 x 2 WD | 27.2 |
| 400 | 400 | G1/8 A | 14 | 12.0 | 8 | 5 | FT-VSTI R 1/8 WD | 0.7 |
| | | G1/4 A | 19 | 17.0 | 12 | 6 | FT-VSTI R 1/4 WD | 1.7 |
| | | G3/8 A | 22 | 17.0 | 12 | 8 | FT-VSTI R 3/8 WD | 2.6 |
| | | G1/2 A | 27 | 19.0 | 14 | 10 | FT-VSTI R 1/2 WD | 4.4 |
| | | G3/4 A | 32 | 21.0 | 16 | 12 | FT-VSTI R 3/4 WD | 7.5 |
| | | G1 A | 40 | 22.5 | 16 | 17 | FT-VSTI R 1 WD | 12.4 |
| 315 | 315 | G1/4 A | 50 | 22.5 | 16 | 22 | FT-VSTI R 1 1/4 WD | 20.4 |
| | | G1/2 A | 55 | 22.5 | 16 | 24 | FT-VSTI R 1 1/2 WD | 26.7 |

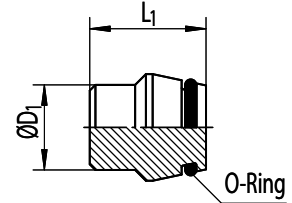
*Replace the character "C" with "CF" when you require steel!
C = Stainless Steel, 1.4571 (Seal FKM) CF = Galvanized Steel Cr(VI)-free (Seal NBR)

Accreditations



FT-VKA

Blanking Plug for Cones



24° Cone (DIN EN ISO 8434-1).

| Series | PN [bar] | | $\varnothing D_1$ [mm] | L_1 [mm] | Ordering Code* | kg/100 |
|--------|----------|-----|------------------------|------------|----------------|--------|
| | C | CF | | | | |
| L | 315 | 500 | 6 | 18.5 | FT-VKA 06 L | 0.6 |
| | | | 8 | 18.5 | FT-VKA 08 L | 0.9 |
| | | | 10 | 20.0 | FT-VKA 10 L | 1.5 |
| | 315 | 400 | 12 | 20.5 | FT-VKA 12 L | 2.2 |
| | | | 15 | 20.5 | FT-VKA 15 L | 3.2 |
| | | | 18 | 22.5 | FT-VKA 18 L | 5.0 |
| | 160 | 250 | 22 | 25.0 | FT-VKA 22 L | 8.2 |
| | | | 28 | 25.5 | FT-VKA 28 L | 13.2 |
| | | | 35 | 30.0 | FT-VKA 35 L | 24.2 |
| | | | 42 | 30.0 | FT-VKA 42 L | 34.4 |
| S | 630 | 800 | 6 | 18.5 | FT-VKA 06 S | 0.6 |
| | | | 8 | 18.5 | FT-VKA 08 S | 0.9 |
| | | | 10 | 20.0 | FT-VKA 10 S | 1.5 |
| | 630 | 630 | 12 | 20.5 | FT-VKA 12 S | 2.2 |
| | | | 14 | 22.5 | FT-VKA 14 S | 3.0 |
| | 400 | 630 | 16 | 23.5 | FT-VKA 16 S | 4.1 |
| | 400 | 400 | 20 | 28.5 | FT-VKA 20 S | 7.9 |
| | | | 25 | 29.0 | FT-VKA 25 S | 12.1 |
| | | | 30 | 30.5 | FT-VKA 30 S | 18.2 |
| | 315 | 400 | 38 | 33.0 | FT-VKA 38 S | 31.1 |

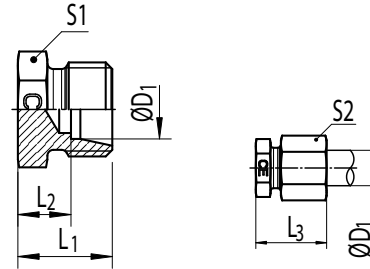
*Replace the character "C" with "CF" when you require steel!
C = Stainless Steel, 1.4571 (Seal FKM) **CF** = Galvanized Steel Cr(VI)-free (Seal NBR)

Accreditations



FT-ROV

Blanking Plug for Tube Ends



24° Tube Connection (DIN EN ISO 8434-1).

| Series | PN [bar] | | ØD ₁ [mm] | L ₁ [mm] | L ₂ [mm] | L ₃ [mm] | S ₁ [mm] | S ₂ [mm] | Ordering Code* | kg/100 |
|--------|----------|-----|----------------------|---------------------|---------------------|---------------------|---------------------|---------------------|--------------------|--------|
| | C | CF | | | | | | | | |
| L | 315 | 315 | 6 | 14 | 7.0 | 22 | 12 | 14 | FT-ROV 06 L | 0.9 |
| | | | 8 | 15 | 8.0 | 23 | 14 | 17 | FT-ROV 08 L | 1.3 |
| | | | 10 | 16 | 9.0 | 24 | 17 | 19 | FT-ROV 10 L | 1.8 |
| | | | 12 | 17 | 10.0 | 25 | 19 | 22 | FT-ROV 12 L | 2.5 |
| | | | 15 | 18 | 11.0 | 26 | 24 | 27 | FT-ROV 15 L | 4.2 |
| | | | 18 | 19 | 11.5 | 28 | 27 | 32 | FT-ROV 18 L | 5.9 |
| | 160 | 160 | 22 | 21 | 13.5 | 30 | 32 | 36 | FT-ROV 22 L | 8.5 |
| | | | 28 | 22 | 14.5 | 31 | 41 | 41 | FT-ROV 28 L | 13.8 |
| | | | 35 | 25 | 14.5 | 36 | 46 | 50 | FT-ROV 35 L | 20.7 |
| | | | 42 | 27 | 16.0 | 39 | 55 | 60 | FT-ROV 42 L | 31.3 |
| S | 630 | 630 | 6 | 18 | 11.0 | 26 | 14 | 17 | FT-ROV 06 S | 1.8 |
| | | | 8 | 20 | 13.0 | 28 | 17 | 19 | FT-ROV 08 S | 2.8 |
| | | | 10 | 20 | 12.5 | 29 | 19 | 22 | FT-ROV 10 S | 3.4 |
| | | | 12 | 22 | 14.5 | 31 | 22 | 24 | FT-ROV 12 S | 5.0 |
| | | | 14 | 24 | 16.0 | 34 | 24 | 27 | FT-ROV 14 S | 6.4 |
| | 400 | 400 | 16 | 24 | 15.5 | 34 | 27 | 30 | FT-ROV 16 S | 7.7 |
| | | | 20 | 28 | 17.5 | 39 | 32 | 36 | FT-ROV 20 S | 12.8 |
| | | | 25 | 32 | 20.0 | 44 | 41 | 46 | FT-ROV 25 S | 23.2 |
| | | | 30 | 34 | 20.5 | 47 | 46 | 50 | FT-ROV 30 S | 30.6 |
| | 250 | 315 | 38 | 39 | 23.0 | 54 | 55 | 60 | FT-ROV 38 S | 51.9 |

*Replace the character "C" with "CF" when you require steel!
C = Stainless Steel, 1.4571 (Seal FKM) **CF** = Galvanized Steel Cr(VI)-free (Seal NBR)

Accreditations



FT-M

Tube Connection Fittings



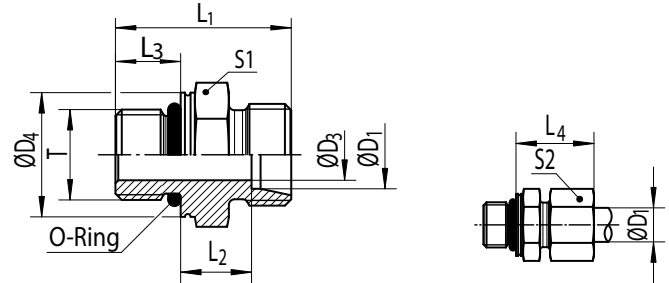
Swivel nut for 24° tube connection.

| Series | PN [bar] | ØD ₁ [mm] | T | L ₁ [mm] | S ₁ [mm] | Ordering Code * | kg/100 |
|-----------|----------|----------------------|---------|---------------------|---------------------|-------------------|--------|
| LL | 100 | 4 | M8x1 | 11.0 | 10 | FT-M 04 LL | 0.4 |
| | | 6 | M10x1 | 11.5 | 12 | FT-M 06 LL | 0.6 |
| | | 8 | M12x1 | 12.0 | 14 | FT-M 08 LL | 0.7 |
| | | 10 | M14x1 | 12.5 | 17 | FT-M 10 LL | 1.1 |
| | | 12 | M16x1 | 13.0 | 19 | FT-M 12 LL | 1.3 |
| L | 315 | 6 | M12x1.5 | 14.5 | 14 | FT-M 06 L | 0.3 |
| | | 8 | M14x1.5 | 14.5 | 17 | FT-M 08 L | 1.4 |
| | | 10 | M16x1.5 | 15.5 | 19 | FT-M 10 L | 1.7 |
| | | 12 | M18x1.5 | 15.5 | 22 | FT-M 12 L | 2.4 |
| | | 15 | M22x1.5 | 17.0 | 27 | FT-M 15 L | 4.0 |
| | 160 | 18 | M26x1.5 | 18.0 | 32 | FT-M 18 L | 5.8 |
| | | 22 | M30x2 | 20.0 | 36 | FT-M 22 L | 7.9 |
| | | 28 | M36x2 | 21.0 | 41 | FT-M 28 L | 9.1 |
| | | 35 | M45x2 | 24.0 | 50 | FT-M 35 L | 13.5 |
| | | 42 | M52x2 | 24.0 | 60 | FT-M 42 L | 21.6 |
| S | 630 | 6 | M14x1.5 | 16.5 | 17 | FT-M 06 S | 1.6 |
| | | 8 | M16x1.5 | 16.5 | 19 | FT-M 08 S | 1.9 |
| | | 10 | M18x1.5 | 17.5 | 22 | FT-M 10 S | 2.9 |
| | | 12 | M20x1.5 | 17.5 | 24 | FT-M 12 S | 3.3 |
| | | 14 | M22x1.5 | 20.5 | 27 | FT-M 14 S | 5.0 |
| | 400 | 16 | M24x1.5 | 20.5 | 30 | FT-M 16 S | 6.4 |
| | | 20 | M30x2 | 24.0 | 36 | FT-M 20 S | 10.0 |
| | | 25 | M36x2 | 27.0 | 46 | FT-M 25 S | 20.6 |
| | | 30 | M42x2 | 29.0 | 50 | FT-M 30 S | 22.3 |
| | | 38 | M52x2 | 32.5 | 60 | FT-M 38 S | 32.0 |
| 315 | | | | | | | |

Accreditations



FT-GE Male Stud Connector



Metric male stud connector O-ring (ISO 6149) /
24° tube connection (DIN EN ISO 8434-1).

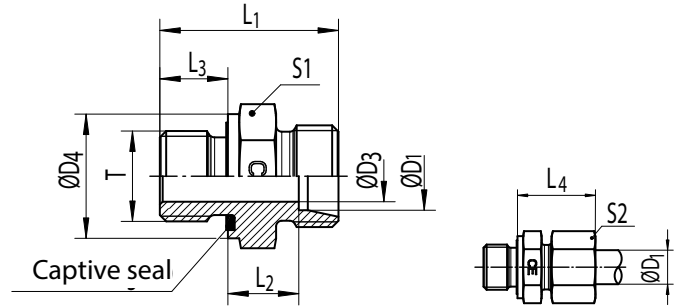
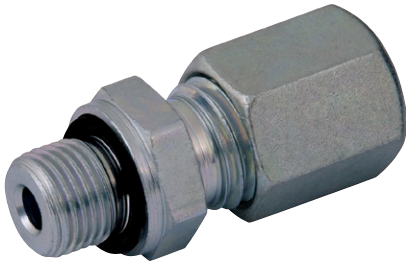
| Series | PN [bar] | ØD ₁ [mm] | T | ØD ₃ [mm] | ØD ₄ [mm] | L ₁ [mm] | L ₂ [mm] | L ₃ [mm] | L ₄ [mm] | S ₁ [mm] | S ₂ [mm] | Ordering Code * | kg/100 |
|--------|----------|----------------------|---------|----------------------|----------------------|---------------------|---------------------|---------------------|---------------------|---------------------|---------------------|-------------------|--------|
| LL | 100 | 4 | M08x1 | 3.0 | 11 | 20.0 | 9.5 | 6.5 | 19.0 | 11 | 10 | FT-GE 04 LLM | 0.9 |
| | | 4 | M10x1 | 3.0 | 13 | 20.0 | 9.5 | 6.5 | 19.0 | 13 | 10 | FT-GE 04 LLM 10x1 | 1.1 |
| | | 6 | M10x1 | 4.5 | 13 | 20.0 | 8.0 | 6.5 | 19.5 | 13 | 12 | FT-GE 06 LLM | 1.0 |
| L | 315 | 6 | M10x1 | 4.5 | 14 | 24.0 | 8.5 | 8.5 | 23.0 | 14 | 14 | FT-GE 06 LM | 1.4 |
| | | 8 | M12x1.5 | 6.0 | 17 | 28.0 | 10.0 | 11.0 | 25.0 | 17 | 17 | FT-GE 08 LM | 2.3 |
| | | 10 | M14x1.5 | 7.5 | 19 | 29.0 | 11.0 | 11.0 | 26.0 | 19 | 19 | FT-GE 10 LM | 2.7 |
| | 315 | 12 | M16x1.5 | 9.0 | 22 | 31.0 | 12.5 | 11.5 | 27.0 | 22 | 22 | FT-GE 12 LM | 4.0 |
| | | 15 | M18x1.5 | 11.0 | 24 | 33.0 | 13.5 | 12.5 | 29.0 | 24 | 27 | FT-GE 15 LM | 5.5 |
| | | 18 | M22x1.5 | 14.0 | 27 | 35.0 | 14.5 | 13.0 | 31.0 | 27 | 32 | FT-GE 18 LM | 7.9 |
| | 160 | 22 | M27x2 | 18.0 | 32 | 40.0 | 16.5 | 16.0 | 33.0 | 32 | 36 | FT-GE 22 LM | 10.3 |
| | | 28 | M33x2 | 23.0 | 41 | 41.0 | 17.5 | 16.0 | 34.0 | 41 | 41 | FT-GE 28 LM | 17.0 |
| | | 35 | M42x2 | 30.0 | 50 | 44.0 | 17.5 | 16.0 | 39.0 | 50 | 50 | FT-GE 35 LM | 27.8 |
| 42 | | M48x2 | 36.0 | 55 | 47.5 | 19.0 | 17.5 | 42.0 | 55 | 60 | FT-GE 42 LM | 34.0 | |
| S | 630 | 6 | M12x1.5 | 4.0 | 17 | 31.0 | 13.0 | 11.0 | 28.0 | 17 | 17 | FT-GE 06 SM | 2.8 |
| | | 8 | M14x1.5 | 6.0 | 19 | 33.0 | 15.0 | 11.0 | 30.0 | 19 | 19 | FT-GE 08 SM | 4.0 |
| | | 10 | M16x1.5 | 7.0 | 22 | 35.0 | 15.0 | 12.5 | 31.0 | 22 | 22 | FT-GE 10 SM | 5.4 |
| | | 12 | M18x1.5 | 9.0 | 24 | 38.5 | 17.0 | 14.0 | 33.0 | 24 | 24 | FT-GE 12 SM | 7.3 |
| | 400 | 16 | M22x1.5 | 12.0 | 27 | 42.0 | 18.5 | 15.0 | 37.0 | 27 | 30 | FT-GE 16 SM | 10.1 |
| | | 20 | M27x2 | 15.0 | 32 | 49.5 | 20.5 | 18.5 | 42.0 | 32 | 36 | FT-GE 20 SM | 16.7 |
| | | 25 | M33x2 | 20.0 | 41 | 53.5 | 23.0 | 18.5 | 47.0 | 41 | 46 | FT-GE 25 SM | 27.3 |
| | | 30 | M42x2 | 26.0 | 50 | 56.0 | 23.5 | 19.0 | 50.0 | 50 | 50 | FT-GE 30 SM | 41.0 |
| | 250 | 38 | M48x2 | 32.0 | 55 | 63.5 | 26.0 | 21.5 | 57.0 | 55 | 60 | FT-GE 38 SM | 58.1 |

Accreditations



FT-GE-R-WD

Male Stud Connector (LL, L)



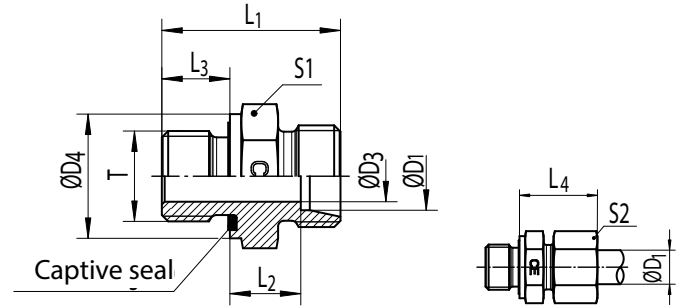
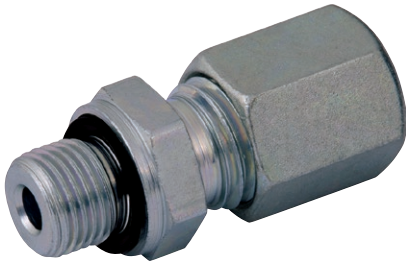
Male BSPP thread with captive seal (ISO 1179) /
24° tube connection (DIN EN ISO 8434-1).

| Series | PN [bar] | ØD ₁ [mm] | T | ØD ₃ [mm] | ØD ₄ [mm] | L ₁ [mm] | L ₂ [mm] | L ₃ [mm] | L ₄ [mm] | S ₁ [mm] | S ₂ [mm] | Ordering Code * | kg/100 |
|--------|----------|----------------------|-------|----------------------|----------------------|---------------------|---------------------|---------------------|---------------------|-----------------------------|-----------------------------|---------------------------|--------|
| LL | 100 | 4 | G1/8A | 3 | 14 | 21.5 | 9.5 | 8 | 19.5 | 14 | 10 | FT-GE 04 LLRWD | 1.0 |
| | | 6 | G1/8A | 4 | 14 | 21.5 | 8.0 | 8 | 19.5 | 14 | 12 | FT-GE 06 LLRWD | 1.1 |
| L | 315 | 6 | G1/8A | 4 | 14 | 23.5 | 8.5 | 8 | 23.5 | 14 | 14 | FT-GE 06 LR WD | 1.4 |
| | | 6 | G1/4A | 4 | 19 | 29.0 | 10.0 | 12 | 25.0 | 19 | 14 | FT-GE 06 LR 1/4 WD | 3.0 |
| | | 6 | G3/8A | 4 | 22 | 30.5 | 11.5 | 12 | 26.5 | 22 | 14 | FT-GE 06 LR 3/8 WD | 4.5 |
| | | 6 | G1/2A | 4 | 27 | 33.0 | 12.0 | 14 | 27.0 | 27 | 14 | FT-GE 06 LR 1/2 WD | 6.0 |
| | | 8 | G1/4A | 6 | 19 | 29.0 | 10.0 | 12 | 25.0 | 19 | 17 | FT-GE 08 LR WD | 2.7 |
| | | 8 | G1/8A | 4 | 14 | 24.5 | 9.5 | 8 | 24.5 | 14 | 17 | FT-GE 08 LR 1/8 WD | 1.6 |
| | | 8 | G3/8A | 6 | 22 | 30.5 | 11.5 | 12 | 26.5 | 22 | 17 | FT-GE 08 LR 3/8 WD | 4.7 |
| | | 8 | G1/2A | 6 | 27 | 33.0 | 12.0 | 14 | 27.0 | 27 | 17 | FT-GE 08 LR 1/2 WD | 7.5 |
| | | 10 | G1/4A | 6 | 19 | 30.0 | 11.0 | 12 | 26.0 | 19 | 19 | FT-GE 10 LR WD | 3.0 |
| | | 10 | G1/8A | 4 | 14 | 25.5 | 10.5 | 8 | 25.5 | 17 | 19 | FT-GE 10 LR 1/8 WD | 2.2 |
| | | 10 | G3/8A | 8 | 22 | 31.5 | 12.5 | 12 | 27.5 | 22 | 19 | FT-GE 10 LR 3/8 WD | 4.1 |
| | | 10 | G1/2A | 8 | 27 | 34.0 | 13.0 | 14 | 28.0 | 27 | 19 | FT-GE 10 LR 1/2 WD | 5.2 |
| | 12 | G3/8A | 9 | 22 | 31.5 | 12.5 | 12 | 27.5 | 22 | 22 | FT-GE 12 LR WD | 4.1 | |
| | 12 | G1/8A | 4 | 14 | 26.5 | 11.5 | 8 | 26.5 | 19 | 22 | FT-GE 12 LR 1/8 WD | 2.6 | |
| | 12 | G1/4A | 6 | 19 | 31.0 | 12.0 | 12 | 27.0 | 19 | 22 | FT-GE 12 LR 1/4 WD | 3.0 | |
| | 12 | G1/2A | 10 | 27 | 34.0 | 13.0 | 14 | 28.0 | 27 | 22 | FT-GE 12 LR 1/2 WD | 6.5 | |
| | 160 | 12 | G3/4A | 10 | 32 | 37.0 | 14.0 | 16 | 29.0 | 32 | 22 | FT-GE 12 LR 3/4 WD | 11.9 |
| | 315 | 15 | G1/2A | 11 | 27 | 35.0 | 14.0 | 14 | 29.0 | 27 | 27 | FT-GE 15 LR WD | 7.1 |
| | | 15 | G3/8A | 9 | 22 | 32.5 | 13.5 | 12 | 28.5 | 24 | 27 | FT-GE 15 LR 3/8 WD | 4.9 |
| | 160 | 15 | G3/4A | 12 | 32 | 38.0 | 15.0 | 16 | 30.0 | 32 | 27 | FT-GE 15 LR 3/4 WD | 12.0 |
| 315 | 18 | G1/2A | 14 | 27 | 36.0 | 14.5 | 14 | 31.0 | 27 | 32 | FT-GE 18 LR WD | 7.0 | |
| | 18 | G3/8A | 9 | 22 | 33.5 | 14.0 | 12 | 30.5 | 27 | 32 | FT-GE 18 LR 3/8 WD | 6.6 | |
| 160 | 18 | G3/4A | 15 | 32 | 38.0 | 14.5 | 16 | 31.0 | 32 | 32 | FT-GE 18 LR 3/4 WD | 13.4 | |
| | 22 | G3/4A | 18 | 32 | 40.0 | 16.5 | 16 | 33.0 | 32 | 36 | FT-GE 22 LR WD | 10.4 | |
| | 22 | G1/2A | 14 | 27 | 38.0 | 16.5 | 14 | 33.0 | 32 | 36 | FT-GE 22 LR 1/2 WD | 9.1 | |
| | 22 | G1A | 19 | 40 | 43.0 | 17.5 | 18 | 34.0 | 41 | 36 | FT-GE 22 LR 1 WD | 19.0 | |
| | 28 | G1A | 23 | 40 | 43.0 | 17.5 | 18 | 34.0 | 41 | 41 | FT-GE 28 LR WD | 16.5 | |
| | 28 | G3/4A | 18 | 32 | 41.0 | 17.5 | 16 | 34.0 | 41 | 41 | FT-GE 28 LR 3/4 WD | 16.0 | |
| | 28 | G1 1/4A | 24 | 50 | 46.0 | 18.5 | 20 | 35.0 | 50 | 41 | FT-GE 28 LR 1 1/4 WD | 26.2 | |
| | 35 | G1 1/4A | 30 | 50 | 48.0 | 17.5 | 20 | 39.0 | 50 | 50 | FT-GE 35 LR WD | 27.5 | |
| | 35 | G1A | 23 | 40 | 46.0 | 17.5 | 18 | 39.0 | 46 | 50 | FT-GE 35 LR 1 WD | 22.6 | |
| | 35 | G1 1/2A | 30 | 55 | 52.0 | 19.5 | 22 | 41.0 | 55 | 50 | FT-GE 35 LR 1 1/2 WD | 42.0 | |
| | 42 | G1 1/2A | 36 | 55 | 52.0 | 19.0 | 22 | 42.0 | 55 | 60 | FT-GE 42 LR WD | 34.5 | |
| | 42 | G1A | 23 | 40 | 48.0 | 19.0 | 18 | 42.0 | 55 | 60 | FT-GE 42 LR 1 WD | 32.2 | |
| 42 | G1 1/4A | 30 | 50 | 50.0 | 19.0 | 20 | 42.0 | 55 | 60 | FT-GE 42 LR 1 1/4 WD | 34.0 | | |

Accreditations



FT-GE-R-WD Male Stud Connector (S)



Male BSPP thread with captive seal (ISO 1179) /
24° tube connection (DIN EN ISO 8434-1).

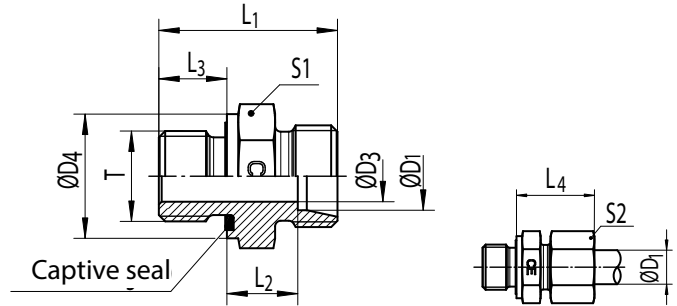
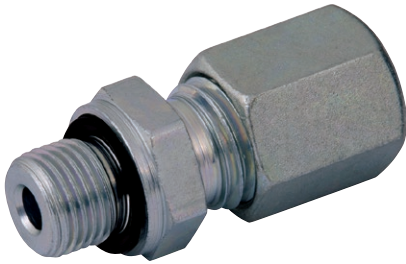
| Series | PN [bar] | ØD1 [mm] | T | ØD3 [mm] | ØD4 [mm] | L1 [mm] | L2 [mm] | L3 [mm] | L4 [mm] | S1 [mm] | S2 [mm] | Ordering Code * | kg/100 |
|--------|----------|----------|---------|----------|----------|---------|---------|---------|---------|---------|---------|-----------------------------|--------|
| S | 630 | 6 | G1/4A | 4 | 19 | 32.0 | 13.0 | 12 | 28.0 | 19 | 17 | FT-GE 06 SR WD | 3.5 |
| | 315 | 6 | G1/8A | 4 | 14 | 27.5 | 12.5 | 8 | 27.5 | 14 | 17 | FT-GE 06 SR 1/8 WD | 2.2 |
| | 630 | 6 | G3/8A | 4 | 22 | 34.5 | 15.5 | 12 | 30.5 | 22 | 17 | FT-GE 06 SR 3/8 WD | 5.2 |
| | 400 | 6 | G1/2A | 4 | 27 | 39.0 | 18.0 | 14 | 33.0 | 27 | 17 | FT-GE 06 SR 1/2 WD | 8.2 |
| | 630 | 8 | G1/4A | 5 | 19 | 34.0 | 15.0 | 12 | 30.0 | 19 | 19 | FT-GE 08 SR WD | 4.0 |
| | 630 | 8 | G3/8A | 5 | 22 | 34.5 | 15.5 | 12 | 30.5 | 22 | 19 | FT-GE 08 SR 3/8 WD | 6.1 |
| | 400 | 8 | G1/2A | 5 | 27 | 39.0 | 18.0 | 14 | 33.0 | 27 | 19 | FT-GE 08 SR 1/2 WD | 8.8 |
| | 630 | 10 | G3/8A | 7 | 22 | 34.5 | 15.0 | 12 | 31.5 | 22 | 22 | FT-GE 10 SR WD | 5.5 |
| | 630 | 10 | G1/4A | 5 | 19 | 34.0 | 14.5 | 12 | 31.0 | 19 | 22 | FT-GE 10 SR 1/4 WD | 4.7 |
| | 630 | 10 | G1/2A | 7 | 27 | 39.0 | 17.5 | 14 | 34.0 | 27 | 22 | FT-GE 10 SR 1/2 WD | 13.8 |
| | 630 | 12 | G3/8A | 8 | 22 | 36.5 | 17.0 | 12 | 33.5 | 22 | 24 | FT-GE 12 SR WD | 6.2 |
| | 630 | 12 | G1/4A | 5 | 19 | 36.0 | 16.5 | 12 | 33.0 | 22 | 24 | FT-GE 12 SR 1/4 WD | 5.7 |
| | 630 | 12 | G1/2A | 8 | 27 | 39.0 | 17.5 | 14 | 34.0 | 27 | 24 | FT-GE 12 SR 1/2 WD | 9.5 |
| | 630 | 14 | G1/2A | 10 | 27 | 41.0 | 19.0 | 14 | 37.0 | 27 | 27 | FT-GE 14 SR WD | 9.8 |
| | 630 | 14 | G3/8A | 8 | 22 | 38.5 | 18.5 | 12 | 36.5 | 24 | 27 | FT-GE 14 SR 3/8 WD | 7.4 |
| | 400 | 14 | G3/4A | 10 | 32 | 45.0 | 21.0 | 16 | 39.0 | 32 | 27 | FT-GE 14 SR 3/4 WD | 13.9 |
| | 400 | 16 | G1/2A | 12 | 27 | 41.0 | 18.5 | 14 | 37.0 | 27 | 30 | FT-GE 16 SR WD | 9.3 |
| | 400 | 16 | G3/8A | 8 | 22 | 38.5 | 18.0 | 12 | 36.5 | 27 | 30 | FT-GE 16 SR 3/8 WD | 8.5 |
| | 400 | 16 | G3/4A | 12 | 32 | 45.0 | 20.5 | 16 | 39.0 | 32 | 30 | FT-GE 16 SR 3/4 WD | 15.4 |
| | 400 | 20 | G3/4A | 16 | 32 | 47.0 | 20.5 | 16 | 42.0 | 32 | 36 | FT-GE 20 SR WD | 15.0 |
| | 400 | 20 | G1/2A | 12 | 27 | 45.0 | 20.5 | 14 | 42.0 | 32 | 36 | FT-GE 20 SR 1/2 WD | 14.1 |
| | 400 | 20 | G1A | 16 | 40 | 51.0 | 22.5 | 18 | 44.0 | 41 | 36 | FT-GE 20 SR 1 WD | 26.0 |
| | 400 | 20 | G1 1/4A | 16 | 50 | 53.0 | 22.5 | 20 | 44.0 | 50 | 36 | FT-GE 20 SR 1 1/4 WD | 40.2 |
| | 400 | 25 | G1A | 20 | 40 | 53.0 | 23.0 | 18 | 47.0 | 41 | 46 | FT-GE 25 SR WD | 27.0 |
| | 400 | 25 | G1/2A | 12 | 27 | 49.0 | 23.0 | 14 | 47.0 | 41 | 46 | FT-GE 25 SR 1/2 WD | 23.0 |
| | 400 | 25 | G3/4A | 16 | 32 | 51.0 | 23.0 | 16 | 47.0 | 41 | 46 | FT-GE 25 SR 3/4 WD | 24.5 |
| | 400 | 25 | G1 1/4A | 20 | 50 | 55.0 | 23.0 | 20 | 47.0 | 50 | 46 | FT-GE 25 SR 1 1/4 WD | 41.0 |
| | 315 | 25 | G1 1/2A | 20 | 55 | 60.0 | 26.0 | 22 | 50.0 | 55 | 46 | FT-GE 25 SR 1 1/2 WD | 55.0 |
| | 400 | 30 | G1 1/4A | 25 | 50 | 57.0 | 23.5 | 20 | 50.0 | 50 | 50 | FT-GE 30 SR WD | 42.0 |
| | 400 | 30 | G1A | 20 | 40 | 55.0 | 23.5 | 18 | 50.0 | 46 | 50 | FT-GE 30 SR 1 WD | 34.0 |
| | 315 | 30 | G1 1/2A | 25 | 55 | 62.0 | 26.5 | 22 | 53.0 | 55 | 50 | FT-GE 30 SR 1 1/2 WD | 56.0 |
| | 250 | 38 | G1 1/2A | 32 | 55 | 64.0 | 26.0 | 22 | 57.0 | 55 | 60 | FT-GE 38 SR WD | 56.5 |
| | 250 | 38 | G1 1/4A | 25 | 50 | 62.0 | 26.0 | 20 | 57.0 | 55 | 60 | FT-GE 38 SR 1 1/4 WD | 57.0 |

Accreditations



FT-GE-M-WD

Male Stud Connector



Male BSPP thread with captive seal (ISO 1179) /
24° tube connection (DIN EN ISO 8434-1).

| Series | PN [bar] | | ØD ₁ [mm] | T | ØD ₃ [mm] | ØD ₄ [mm] | L ₁ [mm] | L ₂ [mm] | L ₃ [mm] | L ₄ [mm] | S1 [mm] | S2 [mm] | Ordering Code * | kg/100 |
|--------|----------|-----|----------------------|---------|----------------------|----------------------|---------------------|---------------------|---------------------|---------------------|---------|-----------------------------|-----------------------------|--------|
| | C | CF | | | | | | | | | | | | |
| LL | 100 | 100 | 4 | G1/8A | 3 | 14 | 21.5 | 9.5 | 8 | 19.5 | 14 | 10 | FT-GE 04 LLRWD | 1.0 |
| | 100 | 100 | 6 | G1/8A | 4 | 14 | 21.5 | 8.0 | 8 | 19.5 | 14 | 12 | FT-GE 06 LLRWD | 1.1 |
| L | 315 | 315 | 6 | G1/8A | 4 | 14 | 23.5 | 8.5 | 8 | 23.5 | 14 | 14 | FT-GE 06 LR WD | 1.4 |
| | 315 | 500 | 6 | G1/4A | 4 | 19 | 29.0 | 10.0 | 12 | 25.0 | 19 | 14 | FT-GE 06 LR 1/4 WD | 3.0 |
| | 315 | 400 | 6 | G3/8A | 4 | 22 | 30.5 | 11.5 | 12 | 26.5 | 22 | 14 | FT-GE 06 LR 3/8 WD | 4.5 |
| | 315 | 400 | 6 | G1/2A | 4 | 27 | 33.0 | 12.0 | 14 | 27.0 | 27 | 14 | FT-GE 06 LR 1/2 WD | 6.0 |
| | 315 | 500 | 8 | G1/4A | 6 | 19 | 29.0 | 10.0 | 12 | 25.0 | 19 | 17 | FT-GE 08 LR WD | 2.7 |
| | 315 | 500 | 8 | G1/8A | 4 | 14 | 24.5 | 9.5 | 8 | 24.5 | 14 | 17 | FT-GE 08 LR 1/8 WD | 1.6 |
| | 315 | 400 | 8 | G3/8A | 6 | 22 | 30.5 | 11.5 | 12 | 26.5 | 22 | 17 | FT-GE 08 LR 3/8 WD | 4.7 |
| | 315 | 400 | 8 | G1/2A | 6 | 27 | 33.0 | 12.0 | 14 | 27.0 | 27 | 17 | FT-GE 08 LR 1/2 WD | 7.5 |
| | 315 | 500 | 10 | G1/4A | 6 | 19 | 30.0 | 11.0 | 12 | 26.0 | 19 | 19 | FT-GE 10 LR WD | 3.0 |
| | 315 | 315 | 10 | G1/8A | 4 | 14 | 25.5 | 10.5 | 8 | 25.5 | 17 | 19 | FT-GE 10 LR 1/8 WD | 2.2 |
| | 315 | 400 | 10 | G3/8A | 8 | 22 | 31.5 | 12.5 | 12 | 27.5 | 22 | 19 | FT-GE 10 LR 3/8 WD | 4.1 |
| | 315 | 400 | 10 | G1/2A | 8 | 27 | 34.0 | 13.0 | 14 | 28.0 | 27 | 19 | FT-GE 10 LR 1/2 WD | 5.2 |
| | 315 | 400 | 12 | G3/8A | 9 | 22 | 31.5 | 12.5 | 12 | 27.5 | 22 | 22 | FT-GE 12 LR WD | 4.1 |
| | 315 | 400 | 12 | G1/8A | 4 | 14 | 26.5 | 11.5 | 8 | 26.5 | 19 | 22 | FT-GE 12 LR 1/8 WD | 2.6 |
| | 315 | 400 | 12 | G1/4A | 6 | 19 | 31.0 | 12.0 | 12 | 27.0 | 19 | 22 | FT-GE 12 LR 1/4 WD | 3.0 |
| | 315 | 400 | 12 | G1/2A | 10 | 27 | 34.0 | 13.0 | 14 | 28.0 | 27 | 22 | FT-GE 12 LR 1/2 WD | 6.5 |
| | 160 | 250 | 12 | G3/4A | 10 | 32 | 37.0 | 14.0 | 16 | 29.0 | 32 | 22 | FT-GE 12 LR 3/4 WD | 11.9 |
| | 315 | 400 | 15 | G1/2A | 11 | 27 | 35.0 | 14.0 | 14 | 29.0 | 27 | 27 | FT-GE 15 LR WD | 7.1 |
| | 315 | 400 | 15 | G3/8A | 9 | 22 | 32.5 | 13.5 | 12 | 28.5 | 24 | 27 | FT-GE 15 LR 3/8 WD | 4.9 |
| | 160 | 250 | 15 | G3/4A | 12 | 32 | 38.0 | 15.0 | 16 | 30.0 | 32 | 27 | FT-GE 15 LR 3/4 WD | 12.0 |
| | 315 | 400 | 18 | G1/2A | 14 | 27 | 36.0 | 14.5 | 14 | 31.0 | 27 | 32 | FT-GE 18 LR WD | 7.0 |
| | 315 | 400 | 18 | G3/8A | 9 | 22 | 33.5 | 14.0 | 12 | 30.5 | 27 | 32 | FT-GE 18 LR 3/8 WD | 6.6 |
| | 160 | 250 | 18 | G3/4A | 15 | 32 | 38.0 | 14.5 | 16 | 31.0 | 32 | 32 | FT-GE 18 LR 3/4 WD | 13.4 |
| | 160 | 250 | 22 | G3/4A | 18 | 32 | 40.0 | 16.5 | 16 | 33.0 | 32 | 36 | FT-GE 22 LR WD | 10.4 |
| | 160 | 250 | 22 | G1/2A | 14 | 27 | 38.0 | 16.5 | 14 | 33.0 | 32 | 36 | FT-GE 22 LR 1/2 WD | 9.1 |
| | 160 | 250 | 22 | G1A | 19 | 40 | 43.0 | 17.5 | 18 | 34.0 | 41 | 36 | FT-GE 22 LR 1 WD | 19.0 |
| | 160 | 250 | 28 | G1A | 23 | 40 | 43.0 | 17.5 | 18 | 34.0 | 41 | 41 | FT-GE 28 LR WD | 16.5 |
| | 160 | 250 | 28 | G3/4A | 18 | 32 | 41.0 | 17.5 | 16 | 34.0 | 41 | 41 | FT-GE 28 LR 3/4 WD | 16.0 |
| | 160 | 250 | 28 | G1 1/4A | 24 | 50 | 46.0 | 18.5 | 20 | 35.0 | 50 | 41 | FT-GE 28 LR 1 1/4 WD | 26.2 |
| | 160 | 250 | 35 | G1 1/4A | 30 | 50 | 48.0 | 17.5 | 20 | 39.0 | 50 | 50 | FT-GE 35 LR WD | 27.5 |
| 160 | 250 | 35 | G1A | 23 | 40 | 46.0 | 17.5 | 18 | 39.0 | 46 | 50 | FT-GE 35 LR 1 WD | 22.6 | |
| 160 | 250 | 35 | G1 1/2A | 30 | 55 | 52.0 | 19.5 | 22 | 41.0 | 55 | 50 | FT-GE 35 LR 1 1/2 WD | 42.0 | |
| 160 | 250 | 42 | G1 1/2A | 36 | 55 | 52.0 | 19.0 | 22 | 42.0 | 55 | 60 | FT-GE 42 LR WD | 34.5 | |
| 160 | 250 | 42 | G1A | 23 | 40 | 48.0 | 19.0 | 18 | 42.0 | 55 | 60 | FT-GE 42 LR 1 WD | 32.2 | |
| 160 | 250 | 42 | G1 1/4A | 30 | 50 | 50.0 | 19.0 | 20 | 42.0 | 55 | 60 | FT-GE 42 LR 1 1/4 WD | 34.0 | |

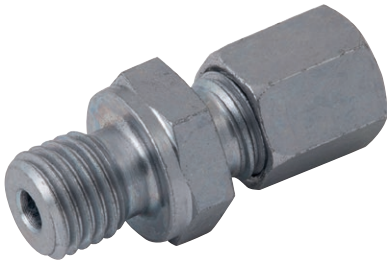
*Replace the character "C" with "CF" when you require steel!
C = Stainless Steel, 1.4571 (Seal FKM) CF = Galvanized Steel Cr(VI)-free (Seal NBR)

Accreditations

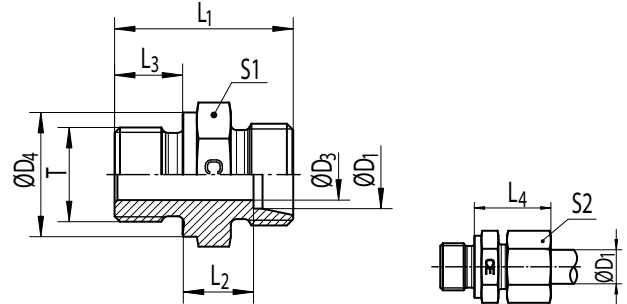


FT-GE-R

Male Stud Connector (L)



Male BSPP thread with metal sealing edge
(ISO 1179) / 24° tube connection
(DIN EN ISO 8434-1).



| Series | PN [bar] | | ØD ₁ [mm] | T | ØD ₃ [mm] | ØD ₄ [mm] | L ₁ [mm] | L ₂ [mm] | L ₃ [mm] | L ₄ [mm] | S ₁ [mm] | S ₂ [mm] | Ordering Code * | kg/100 |
|--------|----------|---------|----------------------|-------|----------------------|----------------------|---------------------|---------------------|---------------------|---------------------|---------------------|---------------------|-----------------|--------|
| | C | CF | | | | | | | | | | | | |
| L | 315 | 315 | 6 | G1/8A | 4 | 14 | 23.5 | 8.5 | 8 | 23.5 | 14 | 14 | FT-GE 06 LR | 1.4 |
| | | | 6 | G1/4A | 4 | 18 | 29.0 | 10.0 | 12 | 25.0 | 19 | 14 | FT-GE 06 LR 1/4 | 2.9 |
| | | | 6 | G3/8A | 4 | 22 | 30.5 | 11.5 | 12 | 26.5 | 22 | 14 | FT-GE 06 LR 3/8 | 4.5 |
| | | | 6 | G1/2A | 4 | 26 | 33.0 | 12.0 | 14 | 27.0 | 27 | 14 | FT-GE 06 LR 1/2 | 6.0 |
| | | | 8 | G1/4A | 6 | 18 | 29.0 | 10.0 | 12 | 25.0 | 19 | 17 | FT-GE 08 LR | 2.7 |
| | | | 8 | G1/8A | 4 | 14 | 24.5 | 9.5 | 8 | 24.5 | 14 | 17 | FT-GE 08 LR 1/8 | 1.7 |
| | | | 8 | G3/8A | 6 | 22 | 30.5 | 11.5 | 12 | 26.5 | 22 | 17 | FT-GE 08 LR 3/8 | 4.4 |
| | | | 8 | G1/2A | 6 | 26 | 33.0 | 12.0 | 14 | 27.0 | 27 | 17 | FT-GE 08 LR 1/2 | 7.3 |
| | | | 10 | G1/4A | 6 | 18 | 30.0 | 11.0 | 12 | 26.0 | 19 | 19 | FT-GE 10 LR | 2.9 |
| | | | 10 | G1/8A | 4 | 14 | 25.5 | 10.5 | 8 | 25.5 | 17 | 19 | FT-GE 10 LR 1/8 | 2.1 |
| | | | 10 | G3/8A | 8 | 22 | 31.5 | 12.5 | 12 | 27.5 | 22 | 19 | FT-GE 10 LR 3/8 | 4.4 |
| | | | 10 | G1/2A | 8 | 26 | 34.0 | 13.0 | 14 | 28.0 | 27 | 19 | FT-GE 10 LR 1/2 | 7.1 |
| | | | 12 | G3/8A | 9 | 22 | 31.5 | 12.5 | 12 | 27.5 | 22 | 22 | FT-GE 12 LR | 4.3 |
| | | | 12 | G1/8A | 4 | 14 | 26.5 | 11.5 | 8 | 26.5 | 19 | 22 | FT-GE 12 LR 1/8 | 2.7 |
| | | | 12 | G1/4A | 6 | 18 | 31.0 | 12.0 | 12 | 27.0 | 19 | 22 | FT-GE 12 LR 1/4 | 3.3 |
| | 12 | G1/2A | 10 | 26 | 34.0 | 13.0 | 14 | 28.0 | 27 | 22 | FT-GE 12 LR 1/2 | 6.7 | | |
| | 12 | G3/4A | 10 | 32 | 37.0 | 14.0 | 16 | 29.0 | 32 | 22 | FT-GE 12 LR 3/4 | 12.0 | | |
| | 15 | G1/2A | 11 | 26 | 35.0 | 14.0 | 14 | 29.0 | 27 | 27 | FT-GE 15 LR | 6.6 | | |
| | 15 | G3/8A | 9 | 22 | 32.5 | 13.5 | 12 | 28.5 | 22 | 27 | FT-GE 15 LR 3/8 | 5.6 | | |
| | 15 | G3/4A | 12 | 32 | 38.0 | 15.0 | 16 | 30.0 | 32 | 27 | FT-GE 15 LR 3/4 | 11.6 | | |
| | 18 | G1/2A | 14 | 26 | 36.0 | 14.5 | 14 | 31.0 | 27 | 32 | FT-GE 18 LR | 7.1 | | |
| | 18 | G3/8A | 9 | 22 | 33.5 | 14.0 | 12 | 30.5 | 27 | 32 | FT-GE 18 LR 3/8 | 6.9 | | |
| | 18 | G3/4A | 15 | 32 | 38.0 | 14.5 | 16 | 31.0 | 32 | 32 | FT-GE 18 LR 3/4 | 11.1 | | |
| | 22 | G3/4A | 18 | 32 | 40.0 | 16.5 | 16 | 33.0 | 32 | 36 | FT-GE 22 LR | 10.2 | | |
| | 22 | G1/2A | 14 | 26 | 38.0 | 16.5 | 14 | 33.0 | 32 | 36 | FT-GE 22 LR 1/2 | 8.7 | | |
| | 22 | G1A | 19 | 39 | 43.0 | 17.5 | 18 | 34.0 | 41 | 36 | FT-GE 22 LR 1 | 18.5 | | |
| | 28 | G1A | 23 | 39 | 43.0 | 17.5 | 18 | 34.0 | 41 | 41 | FT-GE 28 LR | 16.7 | | |
| | 28 | G1/2A | 14 | 26 | 39.0 | 17.5 | 14 | 34.0 | 41 | 41 | FT-GE 28 LR 1/2 | 14.0 | | |
| | 28 | G3/4A | 18 | 32 | 41.0 | 17.5 | 16 | 34.0 | 41 | 41 | FT-GE 28 LR 3/4 | 14.3 | | |
| | 28 | G1 1/4A | 24 | 49 | 46.0 | 18.5 | 20 | 35.0 | 50 | 41 | FT-GE 28 LR 1 1/4 | 31.2 | | |
| | 35 | G1 1/4A | 30 | 49 | 48.0 | 17.5 | 20 | 28.0 | 50 | 50 | FT-GE 35 LR | 27.6 | | |
| | 35 | G1/2A | 14 | 27 | 42.0 | 17.5 | 14 | 39.0 | 46 | 50 | FT-GE 35 LR 1/2 | 19.4 | | |
| | 35 | G3/4A | 18 | 32 | 44.0 | 17.5 | 16 | 39.0 | 46 | 50 | FT-GE 35 LR 3/4 | 20.2 | | |
| | 35 | G1A | 23 | 39 | 46.0 | 17.5 | 18 | 39.0 | 46 | 50 | FT-GE 35 LR 1 | 23.4 | | |
| | 35 | G1 1/2A | 30 | 55 | 52.0 | 19.5 | 22 | 41.0 | 55 | 50 | FT-GE 35 LR 1 1/2 | 35.5 | | |
| | 42 | G1 1/2A | 36 | 55 | 52.0 | 19.0 | 22 | 42.0 | 55 | 60 | FT-GE42 LR | 35.2 | | |
| 42 | G1A | 23 | 39 | 48.0 | 19.0 | 18 | 42.0 | 55 | 60 | FT-GE42 LR 1 | 32.6 | | | |
| 42 | G1 1/4A | 30 | 49 | 50.0 | 19.0 | 20 | 42.0 | 55 | 60 | FT-GE42 LR 1 1/4 | 33.5 | | | |

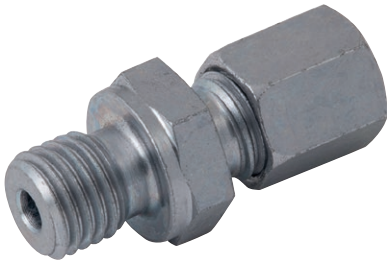
*Replace the character "C" with "CF" when you require steel!
C = Stainless Steel, 1.4571 CF = Galvanized Steel Cr(VI)-free

Accreditations

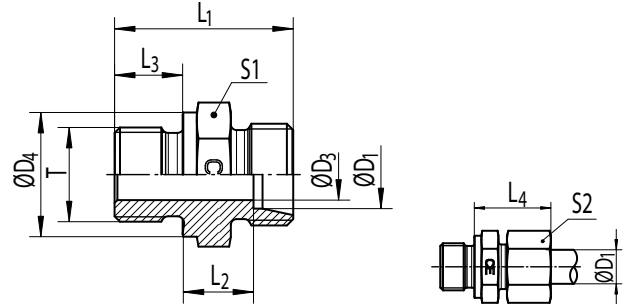


FT-GE-R

Male Stud Connector (S)



Male BSPP thread with metal sealing edge
(ISO 1179) / 24° tube connection
(DIN EN ISO 8434-1).



| Series | PN [bar] | | ØD ₁ [mm] | T | ØD ₃ [mm] | ØD ₄ [mm] | L ₁ [mm] | L ₂ [mm] | L ₃ [mm] | L ₄ [mm] | S ₁ [mm] | S ₂ [mm] | Ordering Code * | kg/100 |
|--------|----------|-----|----------------------|---------|----------------------|----------------------|---------------------|---------------------|---------------------|---------------------|---------------------|---------------------|-------------------|--------|
| | C | CF | | | | | | | | | | | | |
| S | 400 | 400 | 6 | G1/4A | 4 | 18 | 32.0 | 13.0 | 12 | 28.0 | 19 | 17 | FT-GE 06 SR | 3.6 |
| | 315 | 315 | 6 | G1/8A | 3 | 14 | 27.5 | 12.5 | 8 | 27.5 | 14 | 17 | FT-GE 06 SR 1/8 | 2.2 |
| | 400 | 400 | 6 | G3/8A | 4 | 22 | 34.5 | 15.5 | 12 | 30.5 | 22 | 17 | FT-GE 06 SR 3/8 | 5.8 |
| | | | 6 | G1/2A | 4 | 26 | 39.0 | 18.0 | 14 | 33.0 | 27 | 17 | FT-GE 06 SR 1/2 | 8.3 |
| | | | 8 | G1/4A | 5 | 18 | 34.0 | 15.0 | 12 | 30.0 | 19 | 19 | FT-GE 08 SR | 4.1 |
| | | | 8 | G3/8A | 5 | 22 | 34.5 | 15.5 | 12 | 30.5 | 22 | 19 | FT-GE 08 SR 3/8 | 5.8 |
| | | | 8 | G1/2A | 5 | 26 | 39.0 | 18.0 | 14 | 33.0 | 27 | 19 | FT-GE 08 SR 1 2 | 10.2 |
| | | | 10 | G3/8A | 7 | 22 | 34.5 | 15.0 | 12 | 31.5 | 22 | 22 | FT-GE 10 SR | 5.7 |
| | | | 10 | G1/4A | 5 | 18 | 34.0 | 14.5 | 12 | 31.0 | 19 | 22 | FT-GE 10 SR 1/4 | 4.0 |
| | | | 10 | G1/2A | 7 | 26 | 39.0 | 17.5 | 14 | 34.0 | 27 | 22 | FT-GE 10 SR 1/2 | 9.7 |
| | | | 12 | G3/8A | 8 | 22 | 36.5 | 17.0 | 12 | 33.5 | 22 | 24 | FT-GE 12 SR | 6.3 |
| | | | 12 | G1/4A | 5 | 18 | 36.0 | 16.5 | 12 | 33.0 | 22 | 24 | FT-GE 12 SR 1/4 | 5.7 |
| | | | 12 | G1/2A | 8 | 26 | 39.0 | 17.5 | 14 | 34.0 | 27 | 24 | FT-GE 12 SR 1/2 | 9.7 |
| | | | 14 | G1/2A | 10 | 26 | 41.0 | 19.0 | 14 | 37.0 | 27 | 27 | FT-GE 14 SR | 9.6 |
| | | | 14 | G3/8A | 8 | 22 | 38.5 | 18.5 | 12 | 36.5 | 24 | 27 | FT-GE 14 SR 3/8 | 7.4 |
| | | | 16 | G1/2A | 12 | 26 | 41.0 | 18.5 | 14 | 37.0 | 27 | 30 | FT-GE 16 SR | 9.1 |
| | | | 16 | G3/8A | 8 | 22 | 38.5 | 18.0 | 12 | 36.5 | 27 | 30 | FT-GE 16 SR 3/8 | 8.6 |
| | | | 16 | G3/4A | 12 | 32 | 45.0 | 20.5 | 16 | 39.0 | 32 | 30 | FT-GE 16 SR 3/4 | 15.5 |
| | | | 20 | G3/4A | 16 | 32 | 47.0 | 20.5 | 16 | 42.0 | 32 | 36 | FT-GE 20 SR | 15.2 |
| | | | 20 | G1/2A | 12 | 26 | 45.0 | 20.5 | 14 | 42.0 | 32 | 36 | FT-GE 20 SR 1/2 | 13.6 |
| | 250 | 250 | 20 | G1A | 16 | 39 | 51.0 | 22.5 | 18 | 44.0 | 41 | 36 | FT-GE 20 SR 1 | 27.2 |
| | 160 | 160 | 20 | G1 1/4A | 16 | 49 | 53.0 | 22.5 | 20 | 44.0 | 50 | 36 | FT-GE 20 SR 1 1/4 | 38.5 |
| | 250 | 250 | 25 | G1A | 20 | 39 | 53.0 | 23.0 | 18 | 47.0 | 41 | 46 | FT-GE 25 SR | 26.9 |
| | | | 25 | G3/4A | 16 | 32 | 51.0 | 23.0 | 16 | 47.0 | 41 | 46 | FT-GE 25 SR 3/4 | 24.3 |
| | 160 | 160 | 25 | G1 1/4A | 20 | 49 | 55.0 | 23.0 | 20 | 47.0 | 50 | 46 | FT-GE 25 SR 1 1/4 | 42.0 |
| | | | 30 | G1 1/4A | 25 | 49 | 57.0 | 23.5 | 20 | 50.0 | 50 | 50 | FT-GE 30 SR | 42.3 |
| | | | 30 | G1A | 20 | 39 | 55.0 | 23.5 | 18 | 50.0 | 46 | 50 | FT-GE 30 SR 1 | 33.7 |
| | | | 38 | G1 1/2A | 32 | 55 | 64.0 | 26.0 | 22 | 57.0 | 55 | 60 | FT-GE 38 SR | 56.8 |
| 38 | | | G1 1/4A | 25 | 49 | 62.0 | 26.0 | 20 | 57.0 | 55 | 60 | FT-GE 38 SR 1 1/4 | 56.7 | |

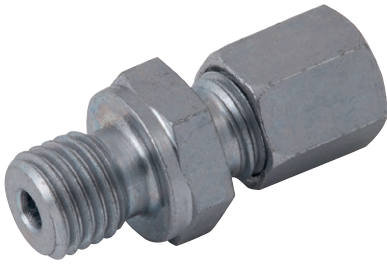
*Replace the character "C" with "CF" when you require steel!
C = Stainless Steel, 1.4571 CF = Galvanized Steel Cr(VI)-free

Accreditations

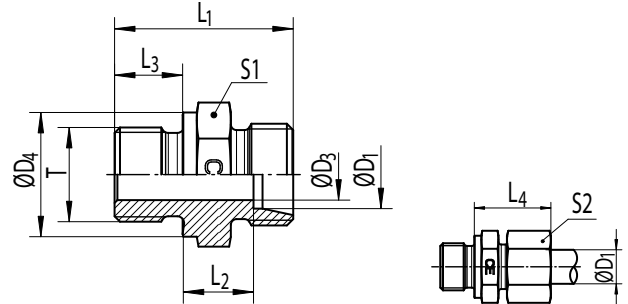


FT-GE-M

Male Stud Connector



Metric male stud connector with sealing edge (ISO 9974) / 24° tube connection (DIN EN ISO 8434-1).



| Series | PN [bar] | | ØD ₁ [mm] | T | ØD ₃ [mm] | ØD ₄ [mm] | L ₁ [mm] | L ₂ [mm] | L ₃ [mm] | L ₄ [mm] | S ₁ [mm] | S ₂ [mm] | Ordering Code * | kg/100 | | |
|--------|----------|-----|----------------------|---------|----------------------|----------------------|---------------------|---------------------|---------------------|---------------------|---------------------|---------------------------|---------------------------|--------|--------------------|------|
| | C | CF | | | | | | | | | | | | | | |
| L | 315 | 315 | 6 | M10x1 | 4 | 14 | 23.5 | 8.5 | 8 | 23.5 | 14 | 14 | FT-GE 06 LM | 1.4 | | |
| | | | 8 | M12x1.5 | 6 | 17 | 29.0 | 10.0 | 12 | 25.0 | 17 | 17 | FT-GE 08 LM | 2.3 | | |
| | | | 10 | M14x1.5 | 7 | 19 | 30.0 | 11.0 | 12 | 26.0 | 19 | 19 | FT-GE 10 LM | 2.9 | | |
| | | | 10 | M10x1 | 4 | 14 | 25.5 | 10.5 | 8 | 25.5 | 17 | 19 | FT-GE 10 LM 10x1 | 2.0 | | |
| | | | 10 | M12x1.5 | 6 | 17 | 30.0 | 11.0 | 12 | 26.0 | 17 | 19 | FT-GE 10 LM 12x1.5 | 2.5 | | |
| | | | 10 | M16x1.5 | 8 | 21 | 31.5 | 12.5 | 12 | 27.5 | 22 | 19 | FT-GE 10 LM 16x1.5 | 4.0 | | |
| | | | 10 | M18x1.5 | 8 | 23 | 31.5 | 12.5 | 12 | 27.5 | 24 | 19 | FT-GE 10 LM 18x1.5 | 5.0 | | |
| | | | 10 | M22x1.5 | 8 | 27 | 35.0 | 14.0 | 14 | 29.0 | 27 | 19 | FT-GE 10 LM 22x1.5 | 7.6 | | |
| | | | 12 | M14x1.5 | 7 | 19 | 30.0 | 11.0 | 12 | 26.0 | 19 | 22 | FT-GE 12 LM 14x1.5 | 3.0 | | |
| | | | 12 | M16x1.5 | 9 | 21 | 31.5 | 12.5 | 12 | 27.5 | 22 | 22 | FT-GE 12 LM | 4.0 | | |
| | | | 12 | M18x1.5 | 10 | 23 | 31.5 | 12.5 | 12 | 27.5 | 24 | 22 | FT-GE 12 LM 18x1.5 | 4.7 | | |
| | | | 12 | M22x1.5 | 10 | 27 | 35.0 | 14.0 | 14 | 29.0 | 27 | 22 | FT-GE 12 LM 22x1.5 | 7.3 | | |
| | 250 | 250 | 15 | M16x1.5 | 9 | 21 | 32.0 | 13.0 | 12 | 28.0 | 24 | 27 | FT-GE 15 LM 16x1.5 | 5.0 | | |
| | | | 15 | M18x1.5 | 11 | 23 | 32.5 | 13.5 | 12 | 28.5 | 24 | 27 | FT-GE 15 LM | 5.2 | | |
| | | | 15 | M22x1.5 | 12 | 27 | 36.0 | 15.0 | 14 | 30.0 | 27 | 27 | FT-GE 15 LM 22x1.5 | 7.4 | | |
| | | | 18 | M18x1.5 | 11 | 23 | 33.5 | 14.0 | 12 | 30.5 | 27 | 32 | FT-GE 18 LM 18x1.5 | 6.4 | | |
| | | | 18 | M22x1.5 | 14 | 24 | 36.0 | 14.5 | 14 | 31.0 | 27 | 32 | FT-GE 18 LM | 7.6 | | |
| | | | 22 | M22x1.5 | 14 | 27 | 38.0 | 16.5 | 14 | 33.0 | 32 | 36 | FT-GE 22 LM 22x1.5 | 9.2 | | |
| | | | 22 | M26x1.5 | 18 | 31 | 40.0 | 16.5 | 16 | 33.0 | 32 | 36 | FT-GE 22 LM | 10.1 | | |
| | | | 28 | M33x2 | 23 | 39 | 43.0 | 17.5 | 18 | 34.0 | 41 | 41 | FT-GE 28 LM | 16.7 | | |
| 160 | 160 | 35 | M42x2 | 30 | 49 | 48.0 | 17.5 | 20 | 39.0 | 50 | 50 | FT-GE 35 LM | 28.2 | | | |
| | | 42 | M48x2 | 36 | 55 | 52.0 | 19.0 | 22 | 42.0 | 55 | 60 | FT-GE 42 LM | 35.8 | | | |
| | | 6 | M12x1.5 | 4 | 17 | 32.0 | 13.0 | 12 | 28.0 | 17 | 17 | FT-GE 06 SM | 3.0 | | | |
| | | 6 | M14x1.5 | 4 | 19 | 34.0 | 15.0 | 12 | 30.0 | 19 | 17 | FT-GE 06 SM 14x1.5 | 4.2 | | | |
| S | 400 | 400 | 8 | M14x1.5 | 5 | 19 | 34.0 | 15.0 | 12 | 30.0 | 19 | 19 | FT-GE 08 SM | 4.3 | | |
| | | | 10 | M16x1.5 | 7 | 21 | 34.5 | 15.0 | 12 | 31.5 | 22 | 22 | FT-GE 10 SM | 5.5 | | |
| | | | 12 | M18x1.5 | 8 | 23 | 36.5 | 17.0 | 12 | 33.5 | 24 | 24 | FT-GE 12 SM | 7.2 | | |
| | | | 12 | M14x1.5 | 5 | 19 | 36.0 | 16.5 | 12 | 33.0 | 22 | 24 | FT-GE 12 SM 14x1.5 | 6.0 | | |
| | | | 12 | M22x1.5 | 8 | 27 | 39.0 | 17.5 | 14 | 34.0 | 27 | 24 | FT-GE 12 SM 22x1.5 | 10.3 | | |
| | | | 14 | M20x1.5 | 10 | 25 | 41.0 | 19.0 | 14 | 37.0 | 27 | 27 | FT-GE 14 SM | 9.4 | | |
| | | | 16 | M18x1.5 | 8 | 23 | 38.5 | 18.0 | 12 | 36.5 | 27 | 30 | FT-GE 16 SM 18x1.5 | 9.5 | | |
| | | | 16 | M22x1.5 | 12 | 27 | 41.0 | 18.5 | 14 | 37.0 | 27 | 30 | FT-GE 16 SM | 9.8 | | |
| | | | 20 | M27x2 | 16 | 32 | 47.0 | 20.5 | 16 | 42.0 | 32 | 36 | FT-GE 20 SM | 15.3 | | |
| | | | 250 | 250 | 25 | M33x2 | 20 | 39 | 53.0 | 23.0 | 18 | 47.0 | 41 | 46 | FT-GE 25 SM | 26.9 |
| | | | 160 | 160 | 30 | M42x2 | 25 | 49 | 57.0 | 23.5 | 20 | 50.0 | 50 | 50 | FT-GE 30 SM | 42.8 |
| | | | | | 38 | M48x2 | 32 | 55 | 64.0 | 26.0 | 22 | 57.0 | 55 | 60 | FT-GE 38 SM | 57.5 |

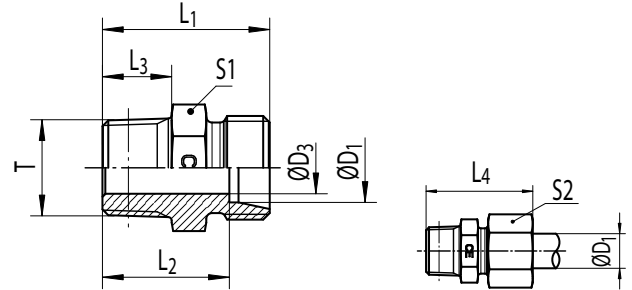
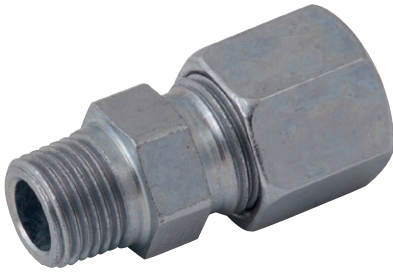
*Replace the character "C" with "CF" when you require steel!
C = Stainless Steel, 1.4571 CF = Galvanized Steel Cr(VI)-free

Accreditations



FT-GE-R-KEG

Male Stud Connector



Male BSPP stud connector – tapered (DIN 3852-2 Type C) / 24° tube connection (DIN EN ISO 8434-1).

| Series | PN [bar] | | ØD ₁ [mm] | T | ØD ₃ [mm] | L ₁ [mm] | L ₂ [mm] | L ₃ [mm] | L ₄ [mm] | S ₁ [mm] | S ₂ [mm] | Ordering Code * | kg/100 |
|--------|----------|---------|----------------------|-----------|----------------------|---------------------|---------------------|---------------------|---------------------|---------------------|-----------------------|-----------------------|--------|
| | C | CF | | | | | | | | | | | |
| LL | 100 | 100 | 4 | R1/8KEG | 3.0 | 20 | 16.0 | 8 | 26 | 11 | 10 | FT-GE 04 LLR KEG | 0.8 |
| | | | 6 | R1/8KEG | 4.5 | 20 | 14.5 | 8 | 26 | 11 | 12 | FT-GE 06 LLR KEG | 1.0 |
| | | | 8 | R1/8KEG | 6.0 | 22 | 16.5 | 8 | 28 | 12 | 14 | FT-GE 08 LLR KEG | 1.0 |
| | | | 8 | R1/4KEG | 6.0 | 26 | 20.5 | 12 | 32 | 14 | 14 | FT-GE 08 LLR 1/4 KEG | 2.0 |
| | | | 10 | R1/4KEG | 8.0 | 26 | 20.5 | 12 | 32 | 14 | 17 | FT-GE 10 LLR KEG | 2.4 |
| | | | 12 | R1/4KEG | 8.0 | 26 | 20.0 | 12 | 32 | 17 | 19 | FT-GE 12 LLR KEG | 5.3 |
| | | | 12 | R3/8KEG | 10.0 | 26 | 20.0 | 12 | 32 | 17 | 19 | FT-GE 12 LLR 3/8 KEG | 3.3 |
| L | 315 | 315 | 6 | R1/8KEG | 4.0 | 22 | 15.0 | 8 | 30 | 12 | 14 | FT-GE 06 LR 1/8 KEG | 1.1 |
| | | | 6 | R1/4KEG | 4.0 | 27 | 20.0 | 12 | 35 | 17 | 14 | FT-GE 06 LR 1/4 KEG | 2.0 |
| | | | 8 | R1/8KEG | 4.0 | 23 | 16.0 | 8 | 31 | 17 | 17 | FT-GE 08 LR 1/8 KEG | 1.5 |
| | | | 8 | R1/4KEG | 6.0 | 27 | 20.0 | 12 | 35 | 17 | 17 | FT-GE 08 LR 1/4 KEG | 2.0 |
| | | | 10 | R1/4KEG | 7.0 | 28 | 21.0 | 12 | 36 | 17 | 19 | FT-GE 10 LR 1/4 KEG | 2.4 |
| | | | 12 | R1/4KEG | 7.0 | 29 | 22.0 | 12 | 37 | 19 | 22 | FT-GE 12 LR 1/4 KEG | 3.0 |
| | | | 12 | R3/8KEG | 9.0 | 29 | 22.0 | 12 | 37 | 19 | 22 | FT-GE 12 LR 3/8 KEG | 3.4 |
| | | | 12 | R1/2KEG | 10.0 | 31 | 24.0 | 14 | 39 | 24 | 22 | FT-GE 12 LR 1/2 KEG | 4.9 |
| | | | 15 | R3/8KEG | 9.0 | 30 | 23.0 | 12 | 38 | 24 | 27 | FT-GE 15 LR 3/8 KEG | 4.8 |
| | | | 15 | R1/2KEG | 11.0 | 32 | 25.0 | 14 | 40 | 24 | 27 | FT-GE 15 LR 1/2 KEG | 5.4 |
| | 18 | R1/2KEG | 14.0 | 33 | 25.5 | 14 | 42 | 27 | 32 | FT-GE 18 LR 1/2 KEG | 6.4 | | |
| | 160 | 160 | 22 | R3/4KEG | 17.0 | 37 | 29.5 | 16 | 46 | 32 | 36 | FT-GE 22 LR 3/4 KEG | 9.8 |
| | | | 28 | R1KEG | 23.0 | 40 | 32.5 | 18 | 49 | 41 | 41 | FT-GE 28 LR 1 KEG | 15.4 |
| | | | 35 | R1 1/4KEG | 30.0 | 45 | 34.5 | 20 | 56 | 46 | 50 | FT-GE 35 LR 1 1/4 KEG | 23.5 |
| 42 | | | R1 1/2KEG | 36.0 | 49 | 38.0 | 22 | 61 | 55 | 60 | FT-GE 42 LR 1 1/2 KEG | 33.4 | |

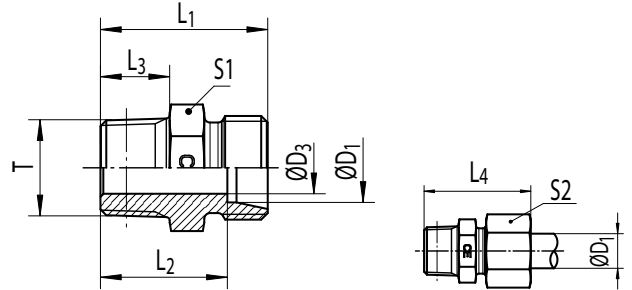
*Replace the character "C" with "CF" when you require steel!
C = Stainless Steel, 1.4571 CF = Galvanized Steel Cr(VI)-free

Accreditations



FT-GE-M-KEG

Male Stud Connector



Metric male stud connector – tapered (DIN 3852-1 Type C) / 24° tube connection (DIN EN ISO 8434-1).

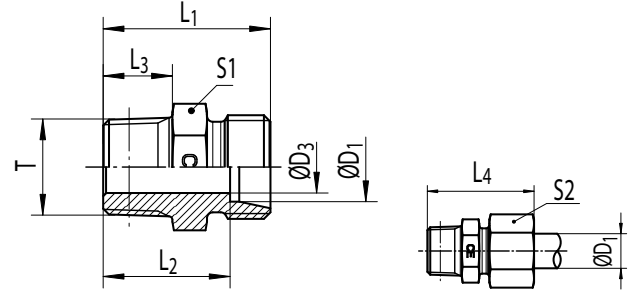
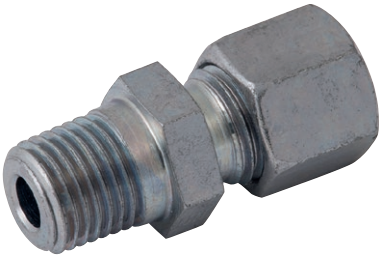
| Series | PN [bar] | | ØD ₁ [mm] | T | ØD ₃ [mm] | L ₁ [mm] | L ₂ [mm] | L ₃ [mm] | L ₄ [mm] | S ₁ [mm] | S ₂ [mm] | Ordering Code * | kg/100 |
|--|----------|-----|----------------------|----------|----------------------|---------------------|---------------------|---------------------|---------------------|---------------------|---------------------|----------------------|--------|
| | C | CF | | | | | | | | | | | |
| LL | 100 | 100 | 4 | M6x1KEG | 2.0 | 20 | 16.0 | 8 | 26 | 9 | 10 | FT-GE 04 LLM 6x1 KEG | 0.6 |
| | | | 4 | M8x1KEG | 3.0 | 20 | 16.0 | 8 | 26 | 10 | 10 | FT-GE 04 LLM KEG | 0.7 |
| | | | 6 | M10x1KEG | 4.5 | 20 | 14.5 | 8 | 26 | 11 | 12 | FT-GE 06 LLM KEG | 0.9 |
| | | | 6 | M8x1KEG | 3.5 | 20 | 14.5 | 8 | 26 | 11 | 12 | FT-GE 06 LLM 8x1 KEG | 0.9 |
| | | | 8 | M10x1KEG | 6.0 | 22 | 16.5 | 8 | 28 | 12 | 14 | FT-GE 08 LLM KEG | 1.0 |
| *Replace the character "C" with "CF" when you require steel! C = Stainless Steel, 1.4571 CF = Galvanized Steel Cr(VI)-free | | | | | | | | | | | | | |

Accreditations



FT-GE-NPT

Male Stud Connector (LL)



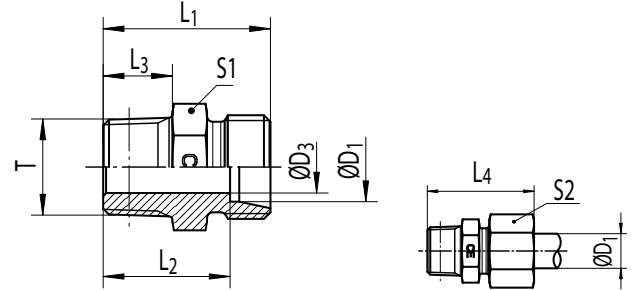
NPT male stud connector (SAE J476) /
24° tube connection (DIN EN ISO 8434-1).

| Series | PN [bar] | | ØD ₁ [mm] | T | ØD ₃ [mm] | L ₁ [mm] | L ₂ [mm] | L ₃ [mm] | L ₄ [mm] | S ₁ [mm] | S ₂ [mm] | Ordering Code * | kg/100 |
|--|----------|-----|----------------------|------------|----------------------|---------------------|---------------------|---------------------|---------------------|---------------------|---------------------|----------------------------|--------|
| | C | CF | | | | | | | | | | | |
| LL | 100 | 100 | 4 | 1/8-27 NPT | 3.0 | 22 | 18.0 | 10 | 28 | 11 | 10 | FT-GE 04 LL 1/8 NPT | 0.9 |
| | | | 6 | 1/8-27 NPT | 4.5 | 22 | 16.5 | 10 | 28 | 11 | 12 | FT-GE 06 LL 1/8 NPT | 1.0 |
| | | | 8 | 1/8-27 NPT | 5.0 | 24 | 18.5 | 10 | 30 | 12 | 14 | FT-GE 08 LL 1/8 NPT | 1.1 |
| *Replace the character "C" with "CF" when you require steel! C = Stainless Steel, 1.4571 CF = Galvanized Steel Cr(VI)-free | | | | | | | | | | | | | |

Accreditations



FT-GE-NPT Male Stud Connector (L)

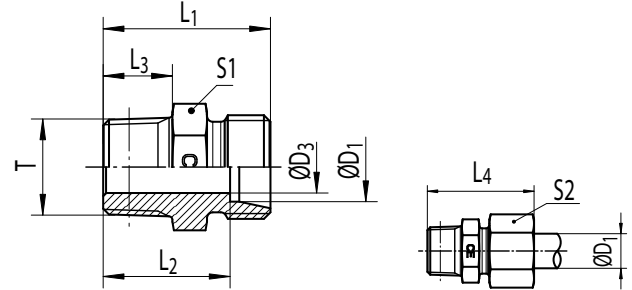


NPT male stud connector (SAE J476) /
24° tube connection (DIN EN ISO 8434-1).

| Series | PN [bar] | | ØD1 [mm] | T | ØD3 [mm] | L1 [mm] | L2 [mm] | L3 [mm] | L4 [mm] | S1 [mm] | S2 [mm] | Ordering Code * | kg/100 |
|--------|----------|--------------|------------------|--------------|----------|---------|---------|---------|---------|--------------------|----------------------|--------------------|--------|
| | C | CF | | | | | | | | | | | |
| L | 315 | 315 | 6 | 1/8-27 NPT | 4 | 24 | 17.0 | 10.0 | 32 | 12 | 14 | FT-GE 06 L 1/8 NPT | 1.2 |
| | | | 6 | 1/4-18 NPT | 4 | 30 | 23.0 | 14.5 | 38 | 17 | 14 | FT-GE 06 L 1/4 NPT | 2.8 |
| | | | 6 | 3/8-18 NPT | 4 | 30 | 23.0 | 14.5 | 38 | 19 | 14 | FT-GE 06 L 3/8 NPT | 3.9 |
| | | | 6 | 1/2-14 NPT | 4 | 36 | 29.0 | 19.5 | 44 | 22 | 14 | FT-GE 06 L 1/2 NPT | 5.8 |
| | | | 8 | 1/8-27 NPT | 4 | 25 | 18.0 | 10.0 | 33 | 14 | 17 | FT-GE 08 L 1/8 NPT | 1.6 |
| | | | 8 | 1/4-18 NPT | 6 | 30 | 23.0 | 14.5 | 38 | 17 | 17 | FT-GE 08 L 1/4 NPT | 2.6 |
| | | | 8 | 3/8-18 NPT | 6 | 30 | 23.0 | 14.5 | 38 | 19 | 17 | FT-GE 08 L 3/8 NPT | 3.8 |
| | | | 8 | 1/2-14 NPT | 6 | 36 | 29.0 | 19.5 | 44 | 22 | 17 | FT-GE 08 L 1/2 NPT | 6.9 |
| | | | 10 | 1/8-27 NPT | 4 | 25 | 18.0 | 10.0 | 33 | 17 | 19 | FT-GE 10 L 1/8 NPT | 1.9 |
| | | | 10 | 1/4-18 NPT | 7 | 31 | 24.0 | 14.5 | 39 | 17 | 19 | FT-GE 10 L 1/4 NPT | 2.7 |
| | | | 10 | 3/8-18 NPT | 7 | 32 | 25.0 | 14.5 | 40 | 19 | 19 | FT-GE 10 L 3/8 NPT | 4.1 |
| | | | 10 | 1/2-14 NPT | 8 | 37 | 30.0 | 19.5 | 45 | 22 | 19 | FT-GE 10 L 1/2 NPT | 6.6 |
| | | | 10 | 3/4-14 NPT | 8 | 38 | 31.0 | 19.5 | 46 | 30 | 19 | FT-GE 10 L 3/4 NPT | 12.0 |
| | | | 12 | 1/8-27 NPT | 4 | 26 | 19.0 | 10.0 | 34 | 19 | 22 | FT-GE 12 L 1/8 NPT | 2.4 |
| | | | 12 | 1/4-18 NPT | 7 | 32 | 25.0 | 14.5 | 40 | 19 | 22 | FT-GE 12 L 1/4 NPT | 3.1 |
| | | | 12 | 3/8-18 NPT | 8 | 32 | 25.0 | 14.5 | 40 | 19 | 22 | FT-GE 12 L 3/8 NPT | 3.9 |
| | | | 12 | 1/2-14 NPT | 10 | 37 | 30.0 | 19.5 | 45 | 22 | 22 | FT-GE 12 L 1/2 NPT | 6.4 |
| | | | 15 | 3/8-18 NPT | 8 | 33 | 26.0 | 14.5 | 41 | 24 | 27 | FT-GE 15 L 3/8 NPT | 5.1 |
| | 15 | 1/2-14 NPT | 12 | 38 | 31.0 | 19.5 | 46 | 24 | 27 | FT-GE 15 L 1/2 NPT | 6.7 | | |
| | 15 | 3/4-14 NPT | 12 | 39 | 32.0 | 19.5 | 47 | 30 | 27 | FT-GE 15 L 3/4 NPT | 11.4 | | |
| | 15 | 1-11 1/2 NPT | 12 | 45 | 38.0 | 24.5 | 53 | 36 | 27 | FT-GE 15 L 1 NPT | 21.7 | | |
| | 18 | 3/8-18 NPT | 8 | 34 | 26.5 | 14.5 | 43 | 27 | 32 | FT-GE 18 L 3/8 NPT | 7.1 | | |
| | 18 | 1/2-14 NPT | 12 | 39 | 31.5 | 19.5 | 48 | 27 | 32 | FT-GE 18 L 1/2 NPT | 8.1 | | |
| | 18 | 3/4-14 NPT | 15 | 39 | 31.5 | 19.5 | 48 | 30 | 32 | FT-GE 18 L 3/4 NPT | 10.9 | | |
| | 18 | 1-11 1/2 NPT | 15 | 45 | 37.5 | 24.5 | 54 | 36 | 32 | FT-GE 18 L 1 NPT | 20.0 | | |
| | 160 | 160 | 22 | 3/8-18 NPT | 8 | 36 | 29.0 | 14.5 | 45 | 32 | 36 | FT-GE 22 L 3/8 NPT | 9.2 |
| | | | 22 | 1/2-14 NPT | 12 | 41 | 33.5 | 19.5 | 50 | 32 | 36 | FT-GE 22 L 1/2 NPT | 10.0 |
| | | | 22 | 3/4-14 NPT | 16 | 41 | 33.5 | 19.5 | 50 | 32 | 36 | FT-GE 22 L 3/4 NPT | 10.9 |
| | | | 22 | 1-11 1/2 NPT | 19 | 47 | 39.5 | 24.5 | 56 | 36 | 36 | FT-GE 22 L 1 NPT | 17.4 |
| | | | 28 | 3/4-14 NPT | 16 | 42 | 34.5 | 19.5 | 51 | 41 | 41 | FT-GE 28 L 3/4 NPT | 15.8 |
| 28 | | | 1-11 1/2 NPT | 21 | 47 | 39.5 | 24.5 | 56 | 41 | 41 | FT-GE 28 L 1 NPT | 19.7 | |
| 28 | | | 1 1/4-11 1/2 NPT | 24 | 49 | 41.5 | 25.0 | 58 | 46 | 41 | FT-GE 28 L 1 1/4 NPT | 31.4 | |
| 35 | | | 1-11 1/2 NPT | 22 | 50 | 39.5 | 24.5 | 61 | 46 | 50 | FT-GE 35 L 1 NPT | 23.0 | |
| 35 | | | 1 1/4-11 1/2 NPT | 28 | 51 | 40.5 | 25.0 | 62 | 46 | 50 | FT-GE 35 L 1 1/4 NPT | 29.5 | |
| 42 | | | 1 1/4-11 1/2 NPT | 28 | 53 | 42.0 | 25.0 | 65 | 55 | 60 | FT-GE 42 L 1 1/4 NPT | 38.2 | |
| 42 | | | 1 1/2-11 1/2 NPT | 36 | 53 | 42.0 | 26.0 | 65 | 55 | 60 | FT-GE 42 L 1 1/2 NPT | 37.8 | |

*Replace the character "C" with "CF" when you require steel!
C = Stainless Steel, 1.4571 CF = Galvanized Steel Cr(VI)-free

FT-GE-NPT Male Stud Connector (S)



NPT male stud connector (SAE J476) /
24° tube connection (DIN EN ISO 8434-1).

| Series | PN [bar] | | ØD1 [mm] | T | ØD3 [mm] | L1 [mm] | L2 [mm] | L3 [mm] | L4 [mm] | S1 [mm] | S2 [mm] | Ordering Code * | kg/100 |
|--------|------------------|------------------|----------|------------|----------|---------|---------|---------|----------------------|----------------------|---------|--------------------|--------|
| | C | CF | | | | | | | | | | | |
| S | 630 | 630 | 6 | 1/8-27 NPT | 4 | 28 | 21.0 | 10.0 | 36 | 14 | 17 | FT-GE 06 S 1/8 NPT | 2.2 |
| | | | 6 | 1/4-18 NPT | 4 | 35 | 28.0 | 14.5 | 43 | 17 | 17 | FT-GE 06 S 1/4 NPT | 3.8 |
| | | | 6 | 3/8-18 NPT | 4 | 33 | 26.0 | 14.5 | 41 | 19 | 17 | FT-GE 06 S 3/8 NPT | 4.6 |
| | | | 6 | 1/2-14 NPT | 4 | 42 | 35.0 | 19.5 | 50 | 22 | 17 | FT-GE 06 S 1/2 NPT | 7.2 |
| | | | 8 | 1/4-18 NPT | 5 | 35 | 28.0 | 14.5 | 43 | 17 | 19 | FT-GE 08 S 1/4 NPT | 3.9 |
| | | | 8 | 3/8-18 NPT | 5 | 35 | 28.0 | 14.5 | 43 | 19 | 19 | FT-GE 08 S 3/8 NPT | 5.1 |
| | | | 8 | 1/2-14 NPT | 5 | 42 | 35.0 | 19.5 | 50 | 22 | 19 | FT-GE 08 S 1/2 NPT | 9.0 |
| | | | 10 | 1/4-18 NPT | 5 | 35 | 27.5 | 14.5 | 44 | 19 | 22 | FT-GE 10 S 1/4 NPT | 4.4 |
| | | | 10 | 3/8-18 NPT | 7 | 35 | 27.5 | 14.5 | 44 | 19 | 22 | FT-GE 10 S 3/8 NPT | 4.9 |
| | | | 10 | 1/2-14 NPT | 7 | 42 | 34.5 | 19.5 | 51 | 22 | 22 | FT-GE 10 S 1/2 NPT | 8.6 |
| | | | 10 | 3/4-14 NPT | 7 | 44 | 36.5 | 19.5 | 53 | 30 | 22 | FT-GE 10 S 3/4 NPT | 15.6 |
| | | | 12 | 1/4-18 NPT | 5 | 37 | 29.5 | 14.5 | 46 | 22 | 24 | FT-GE 12 S 1/4 NPT | 6.0 |
| | | | 12 | 3/8-18 NPT | 8 | 37 | 29.5 | 14.5 | 46 | 22 | 24 | FT-GE 12 S 3/8 NPT | 6.3 |
| | | | 12 | 1/2-14 NPT | 8 | 42 | 34.5 | 19.5 | 51 | 22 | 24 | FT-GE 12 S 1/2 NPT | 8.5 |
| | | | 12 | 3/4-14 NPT | 8 | 44 | 36.5 | 19.5 | 53 | 30 | 24 | FT-GE 12 S 3/4 NPT | 15.7 |
| | | | 14 | 3/8-18 NPT | 8 | 39 | 31.0 | 14.5 | 49 | 24 | 27 | FT-GE 14 S 3/8 NPT | 7.5 |
| | 14 | 1/2-14 NPT | 10 | 44 | 36.0 | 19.5 | 54 | 24 | 27 | FT-GE 14 S 1/2 NPT | 9.1 | | |
| | 14 | 3/4-14 NPT | 10 | 46 | 38.0 | 19.5 | 56 | 30 | 27 | FT-GE 14 S 3/4 NPT | 15.6 | | |
| | 14 | 1-11 1/2 NPT | 10 | 51 | 43.0 | 24.5 | 61 | 36 | 27 | FT-GE 14 S 1 NPT | 26.3 | | |
| | 16 | 3/8-18 NPT | 8 | 39 | 30.5 | 14.5 | 49 | 27 | 30 | FT-GE 16 S 3/8 NPT | 8.7 | | |
| | 16 | 1/2-14 NPT | 12 | 48 | 39.5 | 19.5 | 58 | 32 | 30 | FT-GE 16 S 1/2 NPT | 9.5 | | |
| | 16 | 3/4-14 NPT | 12 | 46 | 37.5 | 19.5 | 56 | 30 | 30 | FT-GE 16 S 3/4 NPT | 14.7 | | |
| | 16 | 1-11 1/2 NPT | 12 | 51 | 42.5 | 24.5 | 61 | 36 | 30 | FT-GE 16 S 1 NPT | 25.2 | | |
| | 20 | 1/2-14 NPT | 12 | 48 | 37.5 | 19.5 | 59 | 32 | 36 | FT-GE 20 S 1/2 NPT | 14.3 | | |
| | 20 | 3/4-14 NPT | 16 | 48 | 37.5 | 19.5 | 59 | 32 | 36 | FT-GE 20 S 3/4 NPT | 20.3 | | |
| | 20 | 1-11 1/2 NPT | 16 | 55 | 44.5 | 24.5 | 66 | 36 | 36 | FT-GE 20 S 1 NPT | 25.6 | | |
| | 25 | 3/4-14 NPT | 16 | 52 | 40.0 | 19.5 | 64 | 41 | 46 | FT-GE 25 S 3/4 NPT | 24.3 | | |
| | 25 | 1-11 1/2 NPT | 20 | 57 | 45.0 | 24.5 | 69 | 41 | 46 | FT-GE 25 S 1 NPT | 28.6 | | |
| | 25 | 1 1/4-11 1/2 NPT | 20 | 58 | 46.0 | 25.0 | 70 | 46 | 46 | FT-GE 25 S 1 1/4 NPT | 43.3 | | |
| | 25 | 1 1/2-11 1/2 NPT | 20 | 61 | 49.0 | 26.0 | 73 | 50 | 46 | FT-GE 25 S 1 1/2 NPT | 56.3 | | |
| | 30 | 3/4-14 NPT | 16 | 54 | 40.5 | 19.5 | 67 | 46 | 50 | FT-GE 30 S 3/4 NPT | 31.0 | | |
| | 30 | 1-11 1/2 NPT | 20 | 59 | 45.5 | 24.5 | 72 | 46 | 50 | FT-GE 30 S 1 NPT | 34.7 | | |
| 30 | 1 1/4-11 1/2 NPT | 25 | 60 | 46.5 | 25.0 | 73 | 46 | 50 | FT-GE 30 S 1 1/4 NPT | 39.9 | | | |
| 30 | 1 1/2-11 1/2 NPT | 25 | 60 | 46.5 | 26.0 | 73 | 50 | 50 | FT-GE 30 S 1 1/2 NPT | 50.1 | | | |
| 38 | 1-11 1/2 NPT | 22 | 64 | 48.0 | 24.5 | 79 | 55 | 60 | FT-GE 38 S 1 NPT | 52.0 | | | |
| 38 | 1 1/4-11 1/2 NPT | 25 | 65 | 49.0 | 25.0 | 80 | 55 | 60 | FT-GE 38 S 1 1/4 NPT | 61.0 | | | |
| 38 | 1 1/2-11 1/2 NPT | 32 | 65 | 49.0 | 26.0 | 80 | 55 | 60 | FT-GE 38 S 1 1/2 NPT | 57.5 | | | |

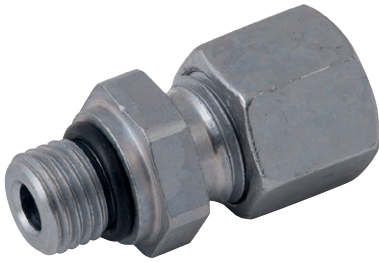
*Replace the character "C" with "CF" when you require steel!
C = Stainless Steel, 1.4571 CF = Galvanized Steel Cr(VI)-free

Accreditations

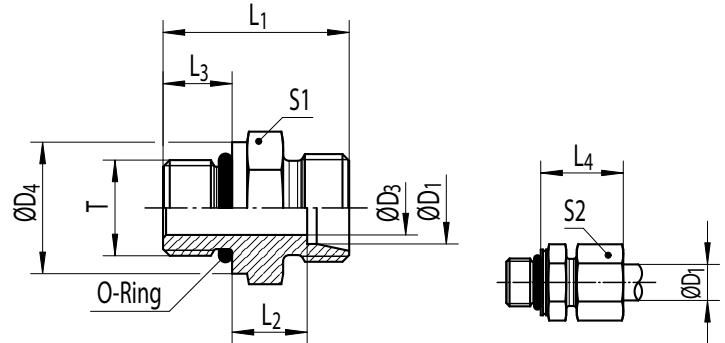


FT-GE-UNF/UN

Male Stud Connector



UNF/UN male stud connector with O-ring (ISO 11926) / 24° tube connection (DIN EN ISO 8434-1).



| Series | PN [bar] | | ØD ₁ [mm] | T | ØD ₃ [mm] | ØD ₄ [mm] | L ₁ [mm] | L ₂ [mm] | L ₃ [mm] | L ₄ [mm] | S ₁ [mm] | S ₂ [mm] | Ordering Code * | kg/100 |
|--------|---------------|----------------|----------------------|----------------|----------------------|----------------------|---------------------|---------------------|---------------------|---------------------|----------------------|---------------------|----------------------|--------|
| | C | CF | | | | | | | | | | | | |
| L | 315 | 315 | 8 | 7/16-20UNF-2A | 5 | 14.4 | 26 | 10.0 | 9.0 | 25.0 | 17 | 17 | FT-GE 08 L 7/16 UNF | 2.1 |
| | | | 10 | 7/16-20UNF-2A | 5 | 14.4 | 27 | 11.0 | 9.0 | 26.0 | 17 | 19 | FT-GE 10 L 7/16 UNF | 2.3 |
| | | | 12 | 9/16-18UNF-2A | 7 | 17.6 | 28 | 11.0 | 10.0 | 26.0 | 19 | 22 | FT-GE 12 L 9/16 UNF | 3.2 |
| | | | 12 | 3/4-16UNF-2A | 10 | 22.3 | 31 | 13.0 | 11.0 | 28.0 | 24 | 22 | FT-GE 12 L 3/4 UNF | 5.2 |
| | | | 15 | 7/8-14UNF-2A | 10 | 25.5 | 34 | 14.3 | 12.7 | 29.3 | 27 | 22 | FT-GE 12 L 7/8 UNF | 7.7 |
| | | | 15 | 3/4-16UNF-2A | 11 | 22.3 | 32 | 14.0 | 11.0 | 29.0 | 24 | 27 | FT-GE 15 L 3/4 UNF | 5.7 |
| | | | 15 | 7/8-14UNF-2A | 12 | 25.5 | 35 | 15.3 | 12.7 | 30.3 | 27 | 27 | FT-GE 15 L 7/8 UNF | 8.1 |
| | | | 18 | 3/4-16UNF-2A | 11 | 22.3 | 33 | 14.5 | 11.0 | 31.0 | 27 | 32 | FT-GE 18 L 3/4 UNF | 6.8 |
| | 18 | 7/8-14UNF-2A | 14 | 25.5 | 35 | 14.8 | 12.7 | 31.3 | 27 | 32 | FT-GE 18 L 7/8 UNF | 7.2 | | |
| | 22 | 7/8-14UNF-2A | 14 | 25.5 | 37 | 16.8 | 12.7 | 33.3 | 32 | 36 | FT-GE 22 L 7/8 UNF | 9.4 | | |
| | 22 | 1 1/16-12UN-2A | 18 | 31.9 | 39 | 16.5 | 15.0 | 33.0 | 32 | 36 | FT-GE 22 L 1 1/16 UN | 10.3 | | |
| | 22 | 1 5/16-12UN-2A | 19 | 38.2 | 40 | 17.5 | 15.0 | 34.0 | 41 | 36 | FT-GE 22 L 1 5/16 UN | 16.3 | | |
| | 28 | 1 1/16-12UN-2A | 18 | 31.9 | 40 | 17.5 | 15.0 | 34.0 | 41 | 41 | FT-GE 28 L 1 1/16 UN | 15.2 | | |
| | 28 | 1 5/16-12UN-2A | 23 | 38.2 | 40 | 17.5 | 15.0 | 34.0 | 41 | 11 | FT-GE 28 L 1 5/16 UN | 16.3 | | |
| | 35 | 1 5/16-12UN-2A | 23 | 38.2 | 43 | 17.5 | 15.0 | 39.0 | 46 | 50 | FT-GE 35 L 1 5/16 UN | 22.2 | | |
| | 35 | 1 5/8-12UN-2A | 29 | 47.7 | 43 | 17.5 | 15.0 | 39.0 | 50 | 50 | FT-GE 35 L 1 5/8 UN | 25.7 | | |
| 42 | 1 5/8-12UN-2A | 29 | 47.7 | 45 | 19.0 | 15.0 | 42.0 | 55 | 60 | FT-GE 42 L 1 5/8 UN | 33.9 | | | |
| S | 630 | 630 | 8 | 7/16-20UNF-2A | 4 | 16.0 | 31 | 15.0 | 9.0 | 30.0 | 17 | 19 | FT-GE 08 S 7/16 UNF | 3.3 |
| | | | 10 | 9/16-18UNF-2A | 6 | 17.6 | 32 | 14.5 | 10.0 | 31.0 | 19 | 22 | FT-GE 10 S 9/16 UNF | 4.2 |
| | | | 12 | 9/16-18UNF-2A | 6 | 17.6 | 32 | 14.5 | 10.0 | 31.0 | 22 | 24 | FT-GE 12 S 9/16 UNF | 5.0 |
| | | | 12 | 3/4-16UNF-2A | 8 | 22.3 | 36 | 17.5 | 11.0 | 34.0 | 24 | 24 | FT-GE 12 S 3/4 UNF | 7.3 |
| | 400 | 400 | 16 | 3/4-16UNF-2A | 10 | 22.3 | 35 | 15.5 | 11.0 | 34.0 | 24 | 30 | FT-GE 16 S 3/4 UNF | 9.0 |
| | | | 16 | 7/8-14UNF-2A | 12 | 25.5 | 40 | 18.8 | 12.7 | 37.3 | 27 | 30 | FT-GE 16 S 7/8 UNF | 9.5 |
| | | | 20 | 3/4-16UNF-2A | 10 | 22.3 | 42 | 20.5 | 11.0 | 42.0 | 32 | 36 | FT-GE 20 S 3/4 UNF | 13.2 |
| | | | 20 | 7/8-14UNF-2A | 12 | 25.5 | 44 | 20.8 | 12.7 | 42.3 | 32 | 36 | FT-GE 20 S 7/8 UNF | 14.1 |
| | | | 20 | 1 1/16-12UN-2A | 16 | 31.9 | 46 | 20.5 | 15.0 | 42.0 | 32 | 36 | FT-GE 20 S 1 1/16 UN | 16.3 |
| | | | 25 | 1 1/16-12UN-2A | 16 | 31.9 | 50 | 23.0 | 15.0 | 47.0 | 36 | 46 | FT-GE 25 S 1 1/16 UN | 20.6 |
| | | | 25 | 1 5/16-12UN-2A | 20 | 38.2 | 50 | 23.0 | 15.0 | 47.0 | 41 | 46 | FT-GE 25 S 1 5/16 UN | 25.8 |
| | | | 30 | 1 5/16-12UN-2A | 20 | 38.2 | 52 | 23.5 | 15.0 | 50.0 | 46 | 50 | FT-GE 30 S 1 5/16 UN | 30.7 |
| | | | 30 | 1 5/8-12UN-2A | 24 | 47.7 | 52 | 23.5 | 15.0 | 50.0 | 50 | 50 | FT-GE 30 S 1 5/8 UN | 42.1 |
| | | | 38 | 1 5/8-12UN-2A | 24 | 47.7 | 57 | 26.0 | 15.0 | 57.0 | 55 | 60 | FT-GE 38 S 1 5/8 UN | 55.4 |

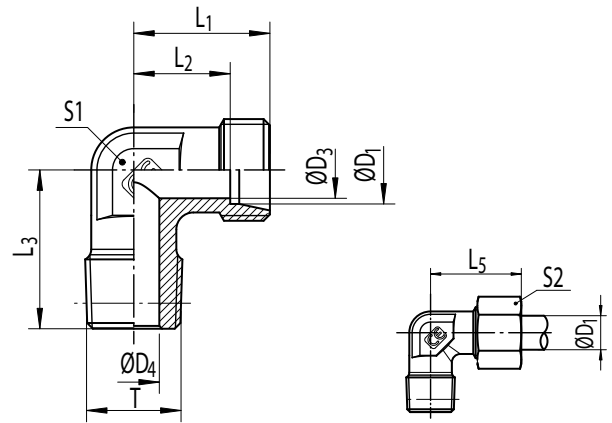
*Replace the character "C" with "CF" when you require steel!
C = Stainless Steel, 1.4571 (Seal FKM) CF = Galvanized Steel Cr(VI)-free (Seal NBR)

Accreditations



FT-WE-R-KEG

Male Stud Elbow



Male BSPP stud connector – tapered
(DIN 3858-2 Type C) / 24° tube connection
(DIN EN ISO 8434-1).

| Series | PN [bar] | | ØD ₁ [mm] | T | ØD ₃ [mm] | ØD ₄ [mm] | L ₁ [mm] | L ₂ [mm] | L ₃ [mm] | L ₅ [mm] | S ₁ [mm] | S ₂ [mm] | Ordering Code * | kg/100 |
|--------|----------|------|----------------------|----------|----------------------|----------------------|---------------------|---------------------|---------------------|---------------------|---------------------|---------------------|---------------------|--------|
| | C | CF | | | | | | | | | | | | |
| LL | 100 | 100 | 4 | R1/8 KEG | 3.0 | 4.0 | 15 | 11.0 | 17 | 21 | 9 | 10 | FT-WE 04 LLR KEG | 1.2 |
| | | | 6 | R1/8 KEG | 4.5 | 4.5 | 15 | 9.5 | 17 | 21 | 9 | 12 | FT-WE 06 LLR KEG | 1.3 |
| | | | 8 | R1/8 KEG | 6.0 | 6.0 | 17 | 11.5 | 20 | 23 | 12 | 14 | FT-WE 08 LLR KEG | 1.4 |
| | | | 10 | R1/4 KEG | 8.0 | 7.0 | 21 | 15.5 | 26 | 27 | 12 | 17 | FT-WE 10 LLR KEG | 2.3 |
| | | | 12 | R1/4 KEG | 10.0 | 7.0 | 21 | 15.0 | 27 | 27 | 14 | 19 | FT-WE 12 LLR KEG | 2.9 |
| L | 315 | 315 | 6 | R1/8 KEG | 4.0 | 4.0 | 19 | 12.0 | 20 | 27 | 12 | 14 | FT-WE 06 LR KEG | 2.0 |
| | | | 6 | R1/4 KEG | 4.0 | 6.0 | 21 | 14.0 | 26 | 29 | 12 | 14 | FT-WE 06 LR 1/4 KEG | 2.8 |
| | | | 8 | R1/4 KEG | 6.0 | 6.0 | 21 | 14.0 | 26 | 29 | 12 | 17 | FT-WE 08 LR KEG | 2.9 |
| | | | 8 | R1/8 KEG | 6.0 | 4.0 | 21 | 14.0 | 26 | 29 | 12 | 17 | FT-WE 08 LR 1/8 KEG | 2.6 |
| | | | 8 | R3/8 KEG | 6.0 | 9.0 | 24 | 17.0 | 28 | 32 | 17 | 17 | FT-WE 08 LR 3/8 KEG | 5.0 |
| | | | 10 | R1/4 KEG | 8.0 | 7.0 | 22 | 15.0 | 27 | 30 | 14 | 19 | FT-WE 10 LR KEG | 3.5 |
| | | | 10 | R3/8 KEG | 8.0 | 9.0 | 24 | 17.0 | 28 | 32 | 17 | 19 | FT-WE 10 LR 3/8 KEG | 5.0 |
| | | | 12 | R3/8 KEG | 10.0 | 9.0 | 24 | 17.0 | 28 | 32 | 17 | 22 | FT-WE 12 LR KEG | 5.0 |
| | | | 12 | R1/4 KEG | 10.0 | 7.0 | 24 | 17.0 | 27 | 32 | 17 | 22 | FT-WE 12 LR 1/4 KEG | 4.8 |
| | | | 12 | R1/2 KEG | 10.0 | 11.0 | 28 | 21.0 | 34 | 36 | 19 | 22 | FT-WE 12 LR 1/2 KEG | 8.8 |
| S | 400 | 400 | 6 | R1/4 KEG | 4.0 | 4.0 | 23 | 16.0 | 26 | 31 | 12 | 17 | FT-WE 06 SR KEG | 3.8 |
| | | | 6 | R3/8 KEG | 4.0 | 7.0 | 25 | 18.0 | 28 | 33 | 17 | 17 | FT-WE 06 SR 3/8 KEG | 6.2 |
| | | | 8 | R1/4 KEG | 5.0 | 5.0 | 24 | 17.0 | 27 | 32 | 14 | 19 | FT-WE 08 SR KEG | 4.7 |
| | | | 8 | R3/8 KEG | 5.0 | 7.0 | 25 | 18.0 | 28 | 33 | 17 | 19 | FT-WE 08 SR 3/8 KEG | 6.3 |
| | | | 10 | R3/8 KEG | 7.0 | 7.0 | 25 | 17.5 | 28 | 34 | 17 | 22 | FT-WE 10 SR KEG | 6.3 |
| | | | 10 | R1/4 KEG | 7.0 | 5.0 | 25 | 17.5 | 28 | 34 | 17 | 22 | FT-WE 10 SR 1/4 KEG | 5.9 |
| | | | 10 | R1/2 KEG | 7.0 | 10.0 | 30 | 22.5 | 32 | 39 | 19 | 22 | FT-WE 10 SR 1/2 KEG | 10.6 |
| | | | 12 | R3/8 KEG | 8.0 | 8.0 | 29 | 21.5 | 28 | 38 | 17 | 24 | FT-WE 12 SR KEG | 7.5 |
| | | | 12 | R1/2 KEG | 8.0 | 11.0 | 30 | 22.5 | 32 | 39 | 19 | 24 | FT-WE 12 SR 1/2 KEG | 10.2 |
| | | | 14 | R1/2 KEG | 10.0 | 10.0 | 30 | 22.0 | 32 | 40 | 19 | 27 | FT-WE 14 SR KEG | 10.0 |
| 16 | R1/2 KEG | 12.0 | 12.0 | 33 | 24.5 | 32 | 43 | 24 | 30 | FT-WE 16 SR KEG | 13.0 | | | |

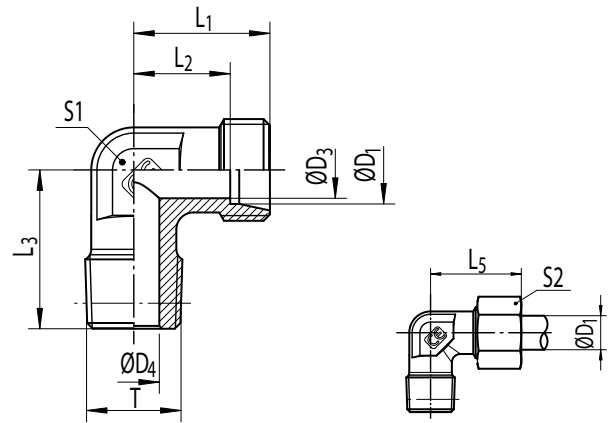
*Replace the character "C" with "CF" when you require steel!
C = Stainless Steel, 1.4571 CF = Galvanized Steel Cr(VI)-free

Accreditations



FT-WE-M-KEG

Male Stud Elbow



Metric male stud connector – tapered
(DIN 3852-1 Type C) / 24° tube connection
(DIN EN ISO 8434-1).

| Series | PN [bar] | | ØD ₁ [mm] | T | ØD ₃ [mm] | ØD ₄ [mm] | L ₁ [mm] | L ₂ [mm] | L ₃ [mm] | L ₅ [mm] | S ₁ [mm] | S ₂ [mm] | Ordering Code * | kg/100 |
|--------|----------|-----|----------------------|-------------|----------------------|----------------------|---------------------|---------------------|---------------------|---------------------|---------------------|---------------------|------------------|--------|
| | C | CF | | | | | | | | | | | | |
| LL | 100 | 100 | 4 | M8x1 KEG | 3.0 | 3.5 | 15 | 11.0 | 17 | 21 | 9 | 10 | FT-WE 04 LLM KEG | 1.0 |
| | | | 6 | M10x1 KEG | 4.5 | 4.5 | 15 | 9.5 | 17 | 21 | 9 | 12 | FT-WE 06 LLM KEG | 1.1 |
| | | | 8 | M10x1 KEG | 6.0 | 6.0 | 17 | 11.5 | 20 | 23 | 12 | 14 | FT-WE 08 LLM KEG | 1.5 |
| L | 315 | 315 | 6 | M10x1 KEG | 4.0 | 4.0 | 19 | 12.0 | 20 | 27 | 12 | 14 | FT-WE 06 LM KEG | 2.0 |
| | | | 8 | M12x1.5 KEG | 6.0 | 6.0 | 21 | 14.0 | 26 | 29 | 12 | 17 | FT-WE 08 LM KEG | 2.6 |
| | | | 10 | M14x1.5 KEG | 8.0 | 7.0 | 22 | 15.0 | 27 | 30 | 14 | 19 | FT-WE 10 LM KEG | 3.8 |
| | | | 12 | M16x1.5 KEG | 10.0 | 9.0 | 24 | 17.0 | 28 | 32 | 17 | 22 | FT-WE 12 LM KEG | 4.8 |
| | | | 15 | M18x1,5 KEG | 12.0 | 11.0 | 28 | 21.0 | 32 | 36 | 19 | 27 | FT-WE 15 LM KEG | 8.0 |
| | | | 18 | M22x1,5 KEG | 15.0 | 14.0 | 31 | 23.5 | 36 | 40 | 24 | 32 | FT-WE 18 LM KEG | 11.8 |
| S | 400 | 400 | 6 | M12x1.5 KEG | 4.0 | 4.0 | 23 | 16.0 | 26 | 31 | 12 | 17 | FT-WE 06 SM KEG | 3.5 |
| | | | 8 | M14x1.5 KEG | 5.0 | 5.0 | 24 | 17.0 | 27 | 32 | 14 | 19 | FT-WE 08 SM KEG | 4.8 |
| | | | 10 | M16x1.5 KEG | 7.0 | 7.0 | 25 | 17.5 | 28 | 34 | 17 | 22 | FT-WE 10 SM KEG | 6.0 |
| | | | 12 | M18x1,5 KEG | 8.0 | 8.0 | 29 | 21.5 | 28 | 38 | 17 | 24 | FT-WE 12 SM KEG | 7.8 |
| | | | 14 | M20x1,5 KEG | 10.0 | 10.0 | 30 | 22.0 | 32 | 40 | 19 | 27 | FT-WE 14 SM KEG | 10.5 |
| | | | 16 | M22x1,5 KEG | 12.0 | 12.0 | 33 | 24.5 | 32 | 43 | 24 | 30 | FT-WE 16 SM KEG | 13.5 |

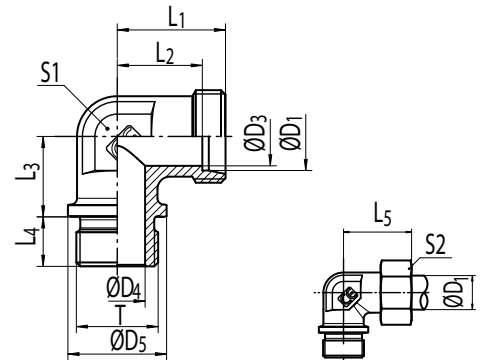
*Replace the character "C" with "CF" when you require steel!
C = Stainless Steel, 1.4571 CF = Galvanized Steel Cr(VI)-free

Accreditations



FT-WE-R

Male Stud Elbow



Male BSPP thread with metal sealing edge (ISO 1179) /
24° tube connection (DIN EN ISO 8434-1).

| Series | PN [bar] | | ØD ₁ [mm] | T | ØD ₃ [mm] | ØD ₄ [mm] | ØD ₅ [mm] | L ₁ [mm] | L ₂ [mm] | L ₃ [mm] | L ₄ [mm] | L ₅ [mm] | S ₁ [mm] | S ₂ [mm] | Ordering Code * | kg/100 |
|--------|----------|-----|----------------------|---------|----------------------|----------------------|----------------------|---------------------|---------------------|---------------------|---------------------|---------------------|---------------------|---------------------|--------------------|--------|
| | C | CF | | | | | | | | | | | | | | |
| L | 160 | 160 | 22 | G3/4A | 19 | 18 | 32 | 35 | 27.5 | 26 | 16 | 44 | 27 | 36 | FT-WE 22 LR | 16.8 |
| | | | 28 | G1A | 24 | 23 | 39 | 38 | 30.5 | 30 | 18 | 47 | 36 | 41 | FT-WE 28 LR | 30.5 |
| | | | 35 | G1 1/4A | 30 | 30 | 49 | 45 | 34.5 | 34 | 20 | 56 | 41 | 50 | FT-WE 35 LR | 46.5 |
| | | | 42 | G1 1/2A | 36 | 36 | 55 | 51 | 40.0 | 39 | 22 | 63 | 50 | 60 | FT-WE 42 LR | 70.6 |
| S | 400 | 400 | 20 | G3/4A | 16 | 16 | 32 | 37 | 26.5 | 26 | 16 | 48 | 27 | 36 | FT-WE 20 SR | 21.0 |
| | 250 | 250 | 25 | G1A | 20 | 20 | 39 | 42 | 30.0 | 30 | 18 | 54 | 36 | 46 | FT-WE 25 SR | 38.8 |
| | 160 | 160 | 30 | G1 1/4A | 25 | 25 | 49 | 49 | 35.5 | 34 | 20 | 62 | 41 | 50 | FT-WE 30 SR | 63.0 |
| | | | 38 | G1 1/2A | 32 | 32 | 55 | 57 | 41.0 | 39 | 22 | 72 | 50 | 60 | FT-WE 38 SR | 88.0 |

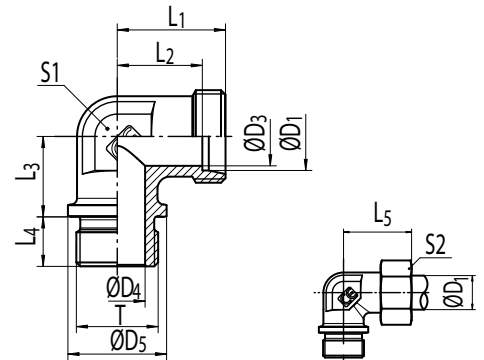
*Replace the character "C" with "CF" when you require steel!
C = Stainless Steel, 1.4571 CF = Galvanized Steel Cr(VI)-free

Accreditations



FT-WE-M

Male Stud Elbow



Metric male stud connector with sealing edge
(ISO 9974) / 24° tube connection (DIN EN ISO 8434-1).

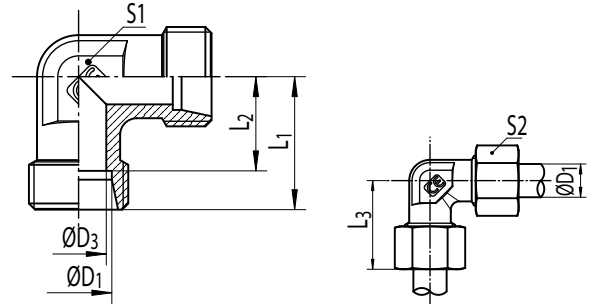
| Series | PN [bar] | | ØD ₁ [mm] | T | ØD ₃ [mm] | ØD ₄ [mm] | ØD ₅ [mm] | L ₁ [mm] | L ₂ [mm] | L ₃ [mm] | L ₄ [mm] | L ₅ [mm] | S ₁ [mm] | S ₂ [mm] | Ordering Code * | kg/ 100 |
|--------|----------|-----|-------------------------|---------|-------------------------|-------------------------|-------------------------|------------------------|------------------------|------------------------|------------------------|------------------------|------------------------|------------------------|--------------------|------------|
| | C | CF | | | | | | | | | | | | | | |
| L | 160 | 160 | 22 | M26x1.5 | 19 | 18 | 31 | 35 | 27.5 | 26 | 16 | 44 | 27 | 36 | FT-WE 22 LM | 17.0 |
| | | | 28 | M33x2 | 24 | 23 | 39 | 38 | 30.5 | 30 | 18 | 47 | 36 | 41 | FT-WE 28 LM | 30.5 |
| | | | 35 | M42x2 | 30 | 30 | 49 | 45 | 34.5 | 34 | 20 | 56 | 41 | 50 | FT-WE 35 LM | 46.0 |
| | | | 42 | M48x2 | 36 | 36 | 55 | 51 | 40.0 | 39 | 22 | 63 | 50 | 60 | FT-WE 42 LM | 67.5 |
| S | 400 | 400 | 20 | M27x2 | 16 | 16 | 32 | 37 | 26.5 | 26 | 16 | 48 | 27 | 36 | FT-WE 20 SM | 21.0 |
| | 250 | 250 | 25 | M33x2 | 20 | 20 | 39 | 42 | 30.0 | 30 | 18 | 54 | 36 | 46 | FT-WE 25 SM | 39.5 |
| | 160 | 160 | 30 | M42x2 | 25 | 25 | 49 | 49 | 35.5 | 34 | 20 | 62 | 41 | 50 | FT-WE 30 SM | 62.5 |
| | | | 38 | M48x2 | 32 | 32 | 55 | 57 | 41.0 | 39 | 22 | 72 | 50 | 60 | FT-WE 38 SM | 90.0 |

*Replace the character "C" with "CF" when you require steel!
C = Stainless Steel, 1.4571 CF = Galvanized Steel Cr(VI)-free

Accreditations



FT-W Connection Studs



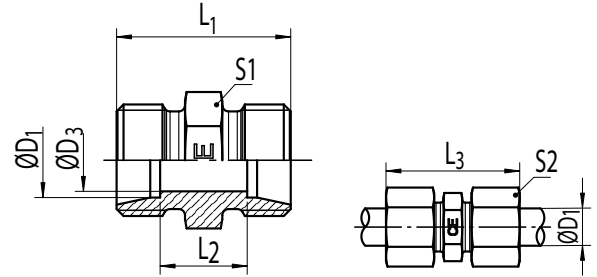
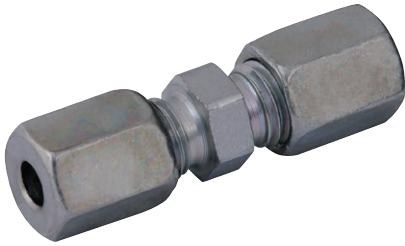
Elbow studs 24° tube connection (DIN EN ISO 8434-1).

| Series | PN [bar] | ØD1 [mm] | ØD3 [mm] | L1 [mm] | L2 [mm] | L3 [mm] | S1 [mm] | S2 [mm] | Ordering Code * | kg/100 |
|-----------|----------|----------|----------|---------|---------|---------|---------|---------|-------------------|--------|
| LL | 100 | 4 | 3.0 | 15 | 11.0 | 21 | 9 | 10 | FT-W 04 LL | 0.9 |
| | | 6 | 4.5 | 15 | 9.5 | 21 | 9 | 12 | FT-W 06 LL | 0.9 |
| | | 8 | 6.0 | 17 | 11.5 | 23 | 12 | 14 | FT-W 08 LL | 1.5 |
| | | 10 | 8.0 | 21 | 15.5 | 27 | 12 | 17 | FT-W 10 LL | 1.9 |
| | | 12 | 10.0 | 21 | 15.0 | 27 | 14 | 19 | FT-W 12 LL | 2.6 |
| L | 315 | 6 | 4.0 | 19 | 12.0 | 27 | 12 | 14 | FT-W 06 L | 1.9 |
| | | 8 | 6.0 | 21 | 14.0 | 29 | 12 | 17 | FT-W 08 L | 2.2 |
| | | 10 | 8.0 | 22 | 15.0 | 30 | 14 | 19 | FT-W 10 L | 3.0 |
| | | 12 | 10.0 | 24 | 17.0 | 32 | 17 | 22 | FT-W 12 L | 4.1 |
| | | 15 | 12.0 | 28 | 21.0 | 36 | 19 | 27 | FT-W 15 L | 7.6 |
| | | 18 | 15.0 | 31 | 23.5 | 40 | 24 | 32 | FT-W 18 L | 10.8 |
| | 160 | 22 | 19.0 | 35 | 27.5 | 44 | 27 | 36 | FT-W 22 L | 14.6 |
| | | 28 | 24.0 | 38 | 30.5 | 47 | 36 | 41 | FT-W 28 L | 23.9 |
| | | 35 | 30.0 | 45 | 34.5 | 56 | 41 | 50 | FT-W 35 L | 38.8 |
| | | 42 | 36.0 | 51 | 40.0 | 63 | 50 | 60 | FT-W 42 L | 58.7 |
| S | 630 | 6 | 4.0 | 23 | 16.0 | 31 | 12 | 17 | FT-W 06 S | 3.3 |
| | | 8 | 5.0 | 24 | 17.0 | 32 | 14 | 19 | FT-W 08 S | 4.5 |
| | | 10 | 7.0 | 25 | 17.5 | 34 | 17 | 22 | FT-W 10 S | 5.5 |
| | | 12 | 8.0 | 29 | 21.5 | 38 | 17 | 24 | FT-W 12 S | 8.1 |
| | | 14 | 10.0 | 30 | 22.0 | 40 | 19 | 27 | FT-W 14 S | 9.6 |
| | 400 | 16 | 12.0 | 33 | 24.5 | 43 | 24 | 30 | FT-W 16 S | 13.6 |
| | | 20 | 16.0 | 37 | 26.5 | 48 | 27 | 36 | FT-W 20 S | 18.8 |
| | | 25 | 20.0 | 42 | 30.0 | 54 | 36 | 46 | FT-W 25 S | 33.7 |
| | | 30 | 25.0 | 49 | 35.5 | 62 | 41 | 50 | FT-W 30 S | 51.5 |
| | 315 | 38 | 32.0 | 57 | 41.0 | 72 | 50 | 60 | FT-W 38 S | 79.7 |

Accreditations



FT-G Connection Studs



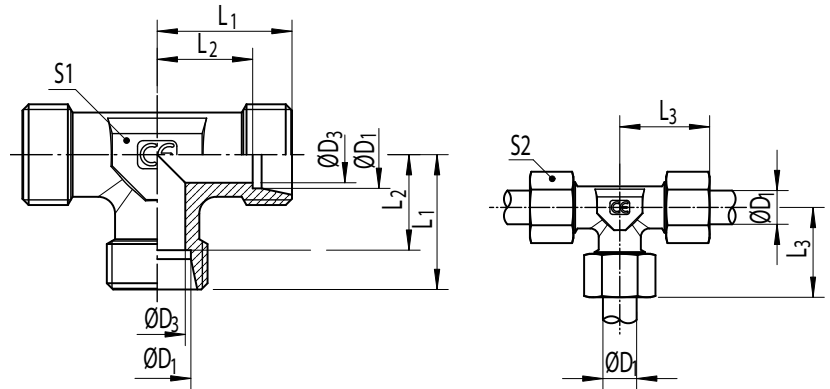
Male stud connector 24° tube connection
(DIN EN ISO 8434-1).

| Series | PN [bar] | ØD1 [mm] | ØD3 [mm] | L1 [mm] | L2 [mm] | L3 [mm] | S1 [mm] | S2 [mm] | Ordering Code * | kg/100 |
|-----------|----------|----------|----------|---------|---------|---------|---------|---------|-------------------|--------|
| LL | 100 | 4 | 3.0 | 20 | 12 | 32 | 9 | 10 | FT-G 04 LL | 0.6 |
| | | 6 | 4.5 | 20 | 9 | 32 | 11 | 12 | FT-G 06 LL | 0.7 |
| | | 8 | 6.0 | 23 | 12 | 35 | 12 | 14 | FT-G 08 LL | 1.1 |
| | | 10 | 8.0 | 23 | 12 | 35 | 14 | 17 | FT-G 10 LL | 1.3 |
| | | 12 | 10.0 | 23 | 11 | 35 | 17 | 19 | FT-G 12 LL | 1.6 |
| L | 315 | 6 | 4.0 | 24 | 10 | 40 | 12 | 14 | FT-G 06 L | 1.3 |
| | | 8 | 6.0 | 25 | 11 | 41 | 14 | 17 | FT-G 08 L | 1.6 |
| | | 10 | 8.0 | 27 | 13 | 43 | 17 | 19 | FT-G 10 L | 2.5 |
| | | 12 | 10.0 | 28 | 14 | 44 | 19 | 22 | FT-G 12 L | 2.8 |
| | | 15 | 12.0 | 30 | 16 | 46 | 24 | 27 | FT-G 15 L | 4.8 |
| | 160 | 18 | 15.0 | 31 | 16 | 49 | 27 | 32 | FT-G 18 L | 6.7 |
| | | 22 | 19.0 | 35 | 20 | 53 | 32 | 36 | FT-G 22 L | 8.9 |
| | | 28 | 24.0 | 36 | 21 | 54 | 41 | 41 | FT-G 28 L | 13.5 |
| | | 35 | 30.0 | 41 | 20 | 63 | 46 | 50 | FT-G 35 L | 21.0 |
| | | 42 | 36.0 | 43 | 21 | 67 | 55 | 60 | FT-G 42 L | 29.6 |
| S | 630 | 6 | 4.0 | 30 | 16 | 46 | 14 | 17 | FT-G 06 S | 2.5 |
| | | 8 | 5.0 | 32 | 18 | 48 | 17 | 19 | FT-G 08 S | 3.7 |
| | | 10 | 7.0 | 32 | 17 | 50 | 19 | 22 | FT-G 10 S | 4.3 |
| | | 12 | 8.0 | 34 | 19 | 52 | 22 | 24 | FT-G 12 S | 6.3 |
| | | 14 | 10.0 | 38 | 22 | 58 | 24 | 27 | FT-G 14 S | 7.6 |
| | 400 | 16 | 12.0 | 38 | 21 | 58 | 27 | 30 | FT-G 16 S | 8.8 |
| | | 20 | 16.0 | 44 | 23 | 66 | 32 | 36 | FT-G 20 S | 14.2 |
| | | 25 | 20.0 | 50 | 26 | 74 | 41 | 46 | FT-G 25 S | 25.1 |
| | | 30 | 25.0 | 54 | 27 | 80 | 46 | 50 | FT-G 30 S | 33.0 |
| | 315 | 38 | 32.0 | 61 | 29 | 91 | 55 | 60 | FT-G 38 S | 54.1 |

Accreditations



FT-T Connection Studs



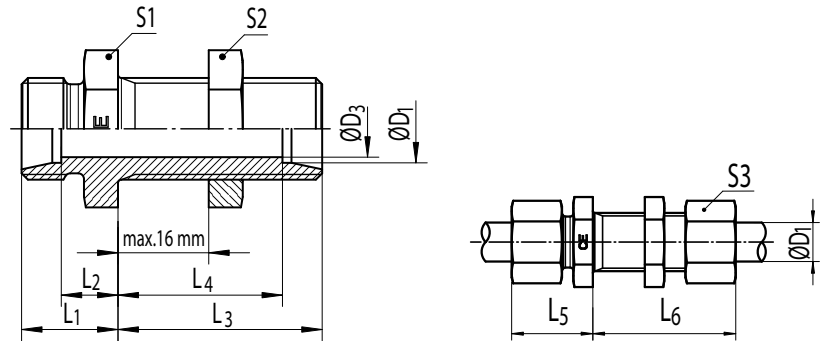
Union T 24° tube connection
(DIN EN ISO 8434-1).

| Series | PN [bar] | ØD ₁ [mm] | ØD ₃ [mm] | L ₁ [mm] | L ₂ [mm] | L ₃ [mm] | S1 [mm] | S2 [mm] | Ordering Code * | kg/100 |
|-----------|----------|----------------------|----------------------|---------------------|---------------------|---------------------|---------|---------|-------------------|--------|
| LL | 100 | 4 | 3.0 | 15 | 11.0 | 21 | 9 | 10 | FT-T 04 LL | 1.1 |
| | | 6 | 4.5 | 15 | 9.5 | 21 | 9 | 12 | FT-T 06 LL | 1.2 |
| | | 8 | 6.0 | 17 | 11.5 | 23 | 12 | 14 | FT-T 08 LL | 1.8 |
| | | 10 | 8.0 | 21 | 15.5 | 27 | 12 | 17 | FT-T 10 LL | 3.7 |
| | | 12 | 10.0 | 21 | 15.0 | 27 | 14 | 19 | FT-T 12 LL | 4.9 |
| L | 315 | 6 | 4.0 | 19 | 12.0 | 27 | 12 | 14 | FT-T 06 L | 2.6 |
| | | 8 | 6.0 | 21 | 14.0 | 29 | 12 | 17 | FT-T 08 L | 3.1 |
| | | 10 | 8.0 | 22 | 15.0 | 30 | 14 | 19 | FT-T 10 L | 4.1 |
| | | 12 | 10.0 | 24 | 17.0 | 32 | 17 | 22 | FT-T 12 L | 5.7 |
| | | 15 | 12.0 | 28 | 21.0 | 36 | 19 | 27 | FT-T 15 L | 9.8 |
| | 160 | 18 | 15.0 | 31 | 23.5 | 40 | 24 | 32 | FT-T 18 L | 14.3 |
| | | 22 | 19.0 | 35 | 27.5 | 44 | 27 | 36 | FT-T 22 L | 18.3 |
| | | 28 | 24.0 | 38 | 30.5 | 47 | 36 | 41 | FT-T 28 L | 31.3 |
| | | 35 | 30.0 | 45 | 34.5 | 56 | 41 | 50 | FT-T 35 L | 46.0 |
| | | 42 | 36.0 | 51 | 40.0 | 63 | 50 | 60 | FT-T 42 L | 68.7 |
| S | 630 | 6 | 4.0 | 23 | 16.0 | 31 | 12 | 17 | FT-T 06 S | 4.7 |
| | | 8 | 5.0 | 24 | 17.0 | 32 | 14 | 19 | FT-T 08 S | 6.5 |
| | | 10 | 7.0 | 25 | 17.5 | 34 | 17 | 22 | FT-T 10 S | 7.7 |
| | | 12 | 8.0 | 29 | 21.5 | 38 | 17 | 24 | FT-T 12 S | 10.9 |
| | | 14 | 10.0 | 30 | 22.0 | 40 | 19 | 27 | FT-T 14 S | 12.8 |
| | 400 | 16 | 12.0 | 33 | 24.5 | 43 | 24 | 30 | FT-T 16 S | 17.3 |
| | | 20 | 16.0 | 37 | 26.5 | 48 | 27 | 36 | FT-T 20 S | 24.9 |
| | | 25 | 20.0 | 42 | 30.0 | 54 | 36 | 46 | FT-T 25 S | 44.0 |
| | | 30 | 25.0 | 49 | 35.5 | 62 | 41 | 50 | FT-T 30 S | 67.5 |
| | 315 | 38 | 32.0 | 57 | 41.0 | 72 | 50 | 60 | FT-T 38 S | 103.5 |

Accreditations



FT-SV Connection Studs



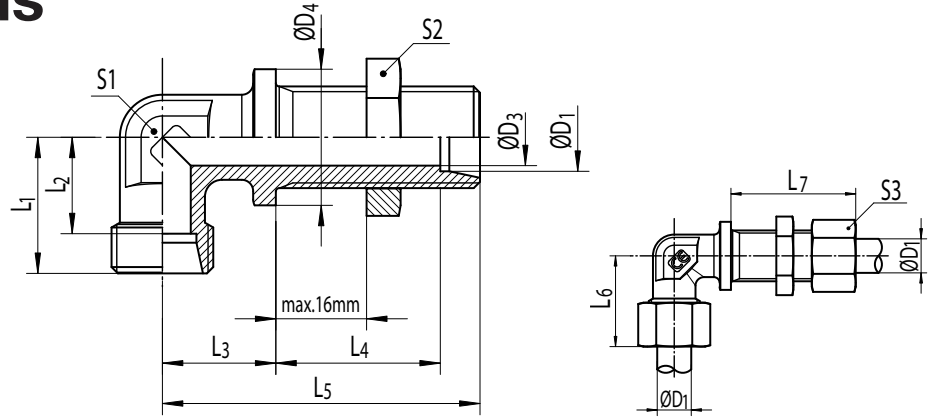
Bulkhead union 24° tube connection
(DIN EN ISO 8434-1).

| Series | PN [bar] | ØD ₁ [mm] | ØD ₃ [mm] | L ₁ [mm] | L ₂ [mm] | L ₃ [mm] | L ₄ [mm] | L ₅ [mm] | L ₆ [mm] | S1 [mm] | S2 [mm] | S3 [mm] | Ordering Code * | kg/100 |
|----------|----------|----------------------|----------------------|---------------------|---------------------|---------------------|---------------------|---------------------|---------------------|---------|---------|---------|-------------------|--------|
| L | 315 | 6 | 4 | 14 | 7.0 | 34 | 27.0 | 22 | 42 | 17 | 17 | 14 | FT-SV 06 L | 3.9 |
| | | 8 | 6 | 15 | 8.0 | 34 | 27.0 | 23 | 42 | 19 | 19 | 17 | FT-SV 08 L | 5.0 |
| | | 10 | 8 | 17 | 10.0 | 35 | 28.0 | 25 | 43 | 22 | 22 | 19 | FT-SV 10 L | 6.8 |
| | | 12 | 10 | 17 | 10.0 | 36 | 29.0 | 25 | 44 | 24 | 24 | 22 | FT-SV 12 L | 7.8 |
| | | 15 | 12 | 19 | 12.0 | 38 | 31.0 | 27 | 46 | 27 | 30 | 27 | FT-SV 15 L | 12.8 |
| | | 18 | 15 | 21 | 13.5 | 40 | 32.5 | 30 | 49 | 32 | 36 | 32 | FT-SV 18 L | 19.8 |
| | 160 | 22 | 19 | 24 | 16.5 | 42 | 34.5 | 33 | 51 | 36 | 41 | 36 | FT-SV 22 L | 25.4 |
| | | 28 | 24 | 26 | 18.5 | 43 | 35.5 | 35 | 52 | 41 | 46 | 41 | FT-SV 28 L | 33.5 |
| | | 35 | 30 | 29 | 18.5 | 47 | 36.5 | 40 | 58 | 50 | 55 | 50 | FT-SV 35 L | 54.6 |
| | | 42 | 36 | 30 | 19.0 | 47 | 36.0 | 42 | 59 | 60 | 65 | 60 | FT-SV 42 L | 75.7 |
| S | 630 | 6 | 4 | 19 | 12.0 | 36 | 29.0 | 27 | 44 | 19 | 19 | 17 | FT-SV 06 S | 6.4 |
| | | 8 | 5 | 20 | 13.0 | 36 | 29.0 | 28 | 44 | 22 | 22 | 19 | FT-SV 08 S | 8.6 |
| | | 10 | 7 | 22 | 14.5 | 37 | 29.5 | 31 | 46 | 24 | 24 | 22 | FT-SV 10 S | 11.3 |
| | | 12 | 8 | 22 | 14.5 | 38 | 30.5 | 31 | 47 | 27 | 27 | 24 | FT-SV 12 S | 14.2 |
| | | 14 | 10 | 25 | 17.0 | 40 | 32.0 | 35 | 50 | 30 | 30 | 27 | FT-SV 14 S | 18.1 |
| | 400 | 16 | 12 | 25 | 16.5 | 40 | 31.5 | 35 | 50 | 32 | 32 | 30 | FT-SV 16 S | 17.7 |
| | | 20 | 16 | 28 | 17.5 | 44 | 33.5 | 39 | 55 | 41 | 41 | 36 | FT-SV 20 S | 33.4 |
| | | 25 | 20 | 32 | 20.0 | 47 | 35.0 | 44 | 59 | 46 | 46 | 46 | FT-SV 25 S | 49.0 |
| | | 30 | 25 | 35 | 21.5 | 51 | 37.5 | 48 | 64 | 50 | 50 | 50 | FT-SV 30 S | 66.2 |
| | 315 | 38 | 32 | 38 | 22.0 | 53 | 37.0 | 53 | 68 | 65 | 65 | 60 | FT-SV 38 S | 106.0 |

Accreditations



FT-WSV Connection Studs



Elbow bulkhead union 24° tube connection (DIN EN ISO 8434-1).

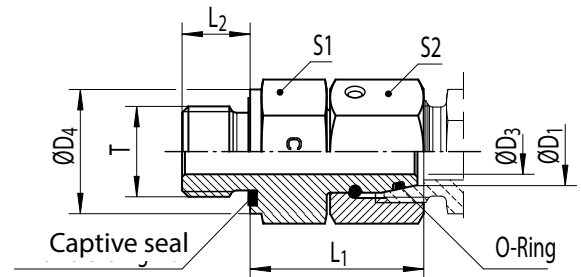
| Series | PN [bar] | ØD ₁ [mm] | ØD ₃ [mm] | ØD ₄ [mm] | L ₁ [mm] | L ₂ [mm] | L ₃ [mm] | L ₄ [mm] | L ₅ [mm] | L ₆ [mm] | L ₇ [mm] | S1 [mm] | S2 [mm] | S3 [mm] | Ordering Code * | kg/100 |
|--------|----------|----------------------|----------------------|----------------------|---------------------|---------------------|---------------------|---------------------|---------------------|---------------------|---------------------|---------|---------|--------------------|--------------------|--------|
| L | 315 | 6 | 4 | 17 | 19 | 12.0 | 14 | 27.0 | 48 | 27 | 42 | 12 | 17 | 14 | FT-WSV 06 L | 5.0 |
| | | 8 | 6 | 19 | 21 | 14.0 | 17 | 27.0 | 51 | 29 | 42 | 12 | 19 | 17 | FT-WSV 08 L | 6.1 |
| | | 10 | 8 | 22 | 22 | 15.0 | 18 | 28.0 | 53 | 30 | 43 | 14 | 22 | 19 | FT-WSV 10 L | 7.7 |
| | | 12 | 10 | 24 | 24 | 17.0 | 20 | 29.0 | 56 | 32 | 44 | 17 | 24 | 22 | FT-WSV 12 L | 9.8 |
| | | 15 | 12 | 27 | 28 | 21.0 | 23 | 31.0 | 61 | 36 | 46 | 19 | 30 | 27 | FT-WSV 15 L | 16.0 |
| | 18 | 15 | 32 | 31 | 23.5 | 24 | 32.5 | 64 | 40 | 49 | 24 | 36 | 32 | FT-WSV 18 L | 23.8 | |
| | 160 | 22 | 19 | 36 | 35 | 27.5 | 30 | 34.5 | 72 | 44 | 51 | 27 | 41 | 36 | FT-WSV 22 L | 31.5 |
| | | 28 | 24 | 42 | 38 | 30.5 | 34 | 35.5 | 77 | 47 | 52 | 36 | 46 | 41 | FT-WSV 28 L | 61.0 |
| | | 35 | 30 | 50 | 45 | 34.5 | 39 | 36.5 | 86 | 56 | 58 | 41 | 55 | 50 | FT-WSV 35 L | 70.1 |
| 42 | | 36 | 60 | 51 | 40.0 | 43 | 36.0 | 90 | 63 | 59 | 50 | 65 | 60 | FT-WSV 42 L | 102.3 | |
| S | 630 | 6 | 4 | 19 | 23 | 16.0 | 17 | 29.0 | 53 | 31 | 44 | 12 | 19 | 17 | FT-WSV 06 S | 7.4 |
| | | 8 | 5 | 22 | 24 | 17.0 | 18 | 29.0 | 54 | 32 | 44 | 14 | 22 | 19 | FT-WSV 08 S | 9.7 |
| | | 10 | 7 | 24 | 25 | 17.5 | 20 | 29.5 | 57 | 34 | 46 | 17 | 24 | 22 | FT-WSV 10 S | 12.3 |
| | | 12 | 8 | 27 | 29 | 21.5 | 21 | 30.5 | 59 | 38 | 47 | 17 | 27 | 24 | FT-WSV 12 S | 15.5 |
| | | 14 | 10 | 27 | 30 | 22.0 | 23 | 32.0 | 63 | 40 | 50 | 19 | 30 | 27 | FT-WSV 14 S | 19.4 |
| | 400 | 16 | 12 | 30 | 33 | 24.5 | 24 | 31.5 | 64 | 43 | 50 | 24 | 32 | 30 | FT-WSV 16 S | 24.0 |
| | | 20 | 16 | 36 | 37 | 26.5 | 30 | 33.5 | 74 | 48 | 55 | 27 | 41 | 36 | FT-WSV 20 S | 37.9 |
| | | 25 | 20 | 42 | 42 | 30.0 | 34 | 35.0 | 81 | 54 | 59 | 36 | 46 | 46 | FT-WSV 25 S | 62.5 |
| | | 30 | 25 | 50 | 49 | 35.5 | 39 | 37.5 | 90 | 62 | 64 | 41 | 50 | 50 | FT-WSV 30 S | 84.9 |
| | 250 | 38 | 32 | 60 | 57 | 41.0 | 43 | 37.0 | 96 | 72 | 68 | 50 | 65 | 60 | FT-WSV 38 S | 142.8 |

Accreditations



FT-EGE-R-WD

Male Stud Connector with Cone End



Male BSPP stud connector with captive seal (ISO 1179, Type E) / 24° swivel (DIN EN ISO 8434-1).

| Series | PN [bar] | | ØD ₁ [mm] | T | ØD ₃ [mm] | ØD ₄ [mm] | L ₁ [mm] | L ₂ [mm] | S1 [mm] | S2 [mm] | Ordering Code * | kg/100 |
|--------|----------|-----|----------------------|---------|----------------------|----------------------|---------------------|---------------------|---------|------------------------|----------------------------|--------|
| | C | CF | | | | | | | | | | |
| L | 315 | 500 | 6 | G1/8A | 2.5 | 14 | 24.5 | 8 | 14 | 14 | FT-EGE 06 LR WD | 2.4 |
| | | | 8 | G1/4A | 4.0 | 19 | 29.5 | 12 | 19 | 17 | FT-EGE 08 LR WD | 4.4 |
| | | | 10 | G1/4A | 6.0 | 19 | 27.5 | 12 | 19 | 19 | FT-EGE 10 LR WD | 4.2 |
| | 315 | 400 | 10 | G3/8A | 6.0 | 22 | 29.0 | 12 | 22 | 19 | FT-EGE 10 LR 3/8 WD | 6.2 |
| | | | 12 | G3/8A | 8.0 | 22 | 34.0 | 12 | 22 | 22 | FT-EGE 12 LR WD | 6.9 |
| | | | 12 | G1/4A | 6.0 | 19 | 27.5 | 12 | 19 | 22 | FT-EGE 12 LR 1/4 WD | 6.5 |
| | | | 12 | G1/2A | 8.0 | 27 | 29.5 | 14 | 27 | 22 | FT-EGE 12 LR 1/2 WD | 11.4 |
| | | | 15 | G1/2A | 10.0 | 27 | 32.0 | 14 | 27 | 27 | FT-EGE 15 LR WD | 12.1 |
| | 160 | 250 | 18 | G1/2A | 13.0 | 27 | 31.5 | 14 | 27 | 32 | FT-EGE 18 LR WD | 13.7 |
| | | | 18 | G3/4A | 13.0 | 32 | 29.5 | 16 | 32 | 32 | FT-EGE 18 LR 3/4 WD | 18.2 |
| | | | 22 | G3/4A | 17.0 | 32 | 32.5 | 16 | 32 | 36 | FT-EGE 22 LR WD | 19.6 |
| | | | 28 | G1A | 22.0 | 40 | 35.0 | 18 | 41 | 41 | FT-EGE 28 LR WD | 36.0 |
| 35 | | | G1 1/4A | 28.0 | 50 | 42.5 | 20 | 50 | 50 | FT-EGE 35 LR WD | 45.5 | |
| | | 42 | G1 1/2A | 34.0 | 55 | 46.5 | 22 | 55 | 60 | FT-EGE 42 LR WD | 66.2 | |
| S | 630 | 800 | 6 | G1/4A | 2.5 | 19 | 27.0 | 12 | 19 | 17 | FT-EGE 06 SR WD | 4.5 |
| | | | 8 | G1/4A | 4.0 | 19 | 29.5 | 12 | 19 | 19 | FT-EGE 08 SR WD | 5.0 |
| | | | 10 | G3/8A | 6.0 | 22 | 32.0 | 12 | 22 | 22 | FT-EGE 10 SR WD | 7.4 |
| | 630 | 630 | 12 | G3/8A | 8.0 | 22 | 34.0 | 12 | 22 | 24 | FT-EGE 12 SR WD | 8.2 |
| | | | 12 | G1/4A | 5.0 | 19 | 31.5 | 12 | 19 | 24 | FT-EGE 12 SR 1/4 WD | 14.0 |
| | | | 12 | G1/2A | 8.0 | 27 | 35.0 | 14 | 27 | 24 | FT-EGE 12 SR 1/2 WD | 14.0 |
| | | | 14 | G1/2A | 9.0 | 27 | 36.5 | 14 | 27 | 27 | FT-EGE 14 SR WD | 12.6 |
| | 400 | 630 | 16 | G1/2A | 11.0 | 27 | 37.5 | 14 | 27 | 30 | FT-EGE 16 SR WD | 14.6 |
| | 400 | 400 | 20 | G3/4A | 14.0 | 32 | 43.0 | 16 | 32 | 36 | FT-EGE 20 SR WD | 22.1 |
| | 400 | 400 | 25 | G1A | 18.0 | 40 | 48.0 | 18 | 41 | 46 | FT-EGE 25 SR WD | 40.2 |
| | 315 | 400 | 30 | G1 1/4A | 23.0 | 50 | 51.0 | 20 | 50 | 50 | FT-EGE 30 SR WD | 58.2 |
| | 315 | 400 | 38 | G1 1/2A | 30.0 | 55 | 60.0 | 22 | 55 | 60 | FT-EGE 38 SR WD | 78.6 |

*Replace the character "C" with "CF" when you require steel!
C = Stainless Steel, 1.4571 (Seal FKM) **CF** = Galvanized Steel Cr(VI)-free (Seal NBR)

Accreditations

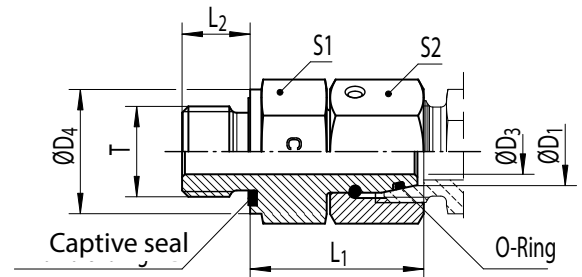


FT-EGE-M-WD

Male Stud Connector with Cone End



Metric male stud connector with captive seal
(ISO 1179, Type E) / 24° swivel (DIN EN ISO 8434-1).



| Series | PN [bar] | | ØD ₁ [mm] | T | ØD ₃ [mm] | ØD ₄ [mm] | L ₁ [mm] | L ₂ [mm] | S1 [mm] | S2 [mm] | Ordering Code * | kg/100 |
|--------|----------|-----|----------------------|-----------|----------------------|----------------------|---------------------|---------------------|---------|------------------------|-------------------------------|--------|
| | C | CF | | | | | | | | | | |
| L | 315 | 500 | 6 | M10x1 | 2.5 | 14 | 24.5 | 8 | 14 | 14 | FT-EGE 06 LM WD | 2.3 |
| | | | 8 | M12x1.5 | 4.0 | 17 | 26.5 | 12 | 17 | 17 | FT-EGE 08 LM WD | 3.8 |
| | | | 10 | M14x1.5 | 6.0 | 19 | 27.5 | 12 | 19 | 19 | FT-EGE 10 LM WD | 4.8 |
| | 315 | 400 | 12 | M16x1.5 | 8.0 | 22 | 30.5 | 12 | 22 | 22 | FT-EGE 12 LM WD | 6.7 |
| | | | 12 | M22 x1,5 | 8.0 | 27 | 27.0 | 14 | 27 | 22 | FT-EGE 12 LM 22 1,5 WD | 9.2 |
| | | | 15 | M18x1.5 | 10.0 | 24 | 31.5 | 12 | 24 | 27 | FT-EGE 15 LM WD | 10.1 |
| | | | 15 | M22 X 1,5 | 10.0 | 27 | 32.0 | 14 | 27 | 27 | FT-EGE 15 LM 22 1,5 WD | 12.0 |
| | 160 | 250 | 18 | M22x1.5 | 13.0 | 27 | 31.5 | 14 | 27 | 32 | FT-EGE 18 LM WD | 13.8 |
| | | | 22 | M26x1.5 | 17.0 | 32 | 32.5 | 16 | 32 | 36 | FT-EGE 22 LM WD | 19.9 |
| | | | 28 | M33x2 | 22.0 | 40 | 35.0 | 18 | 41 | 41 | FT-EGE 28 LM WD | 35.8 |
| 35 | | | M42x2 | 28.0 | 50 | 42.5 | 20 | 50 | 50 | FT-EGE 35 LM WD | 45.0 | |
| S | 630 | 800 | 42 | M48x2 | 34.0 | 55 | 46.5 | 22 | 55 | 60 | FT-EGE 42 LM WD | 70.8 |
| | | | 6 | M12x1.5 | 2.5 | 17 | 27.0 | 12 | 17 | 17 | FT-EGE 06 SM WD | 4.0 |
| | | | 8 | M14x1.5 | 4.0 | 19 | 29.5 | 12 | 19 | 19 | FT-EGE 08 SM WD | 5.1 |
| | 630 | 630 | 10 | M16x1.5 | 6.0 | 22 | 32.0 | 12 | 22 | 22 | FT-EGE 10 SM WD | 7.1 |
| | | | 12 | M18x1.5 | 8.0 | 24 | 34.0 | 12 | 24 | 24 | FT-EGE 12 SM WD | 8.9 |
| | 400 | 630 | 14 | M20x1.5 | 9.0 | 26 | 36.5 | 14 | 27 | 27 | FT-EGE 14 SM WD | 12.1 |
| | | | 16 | M22x1.5 | 11.0 | 27 | 37.0 | 14 | 27 | 30 | FT-EGE 16 SM WD | 14.8 |
| | 400 | 400 | 20 | M27x2 | 14.0 | 32 | 43.0 | 16 | 32 | 36 | FT-EGE 20 SM WD | 22.3 |
| | | | 25 | M33x2 | 18.0 | 40 | 48.0 | 18 | 41 | 46 | FT-EGE 25 SM WD | 40.0 |
| | | | 30 | M42x2 | 23.0 | 50 | 51.0 | 20 | 50 | 50 | FT-EGE 30 SM WD | 58.3 |
| 315 | 400 | 38 | M48x2 | 30.0 | 55 | 60.0 | 22 | 55 | 60 | FT-EGE 38 SM WD | 78.2 | |

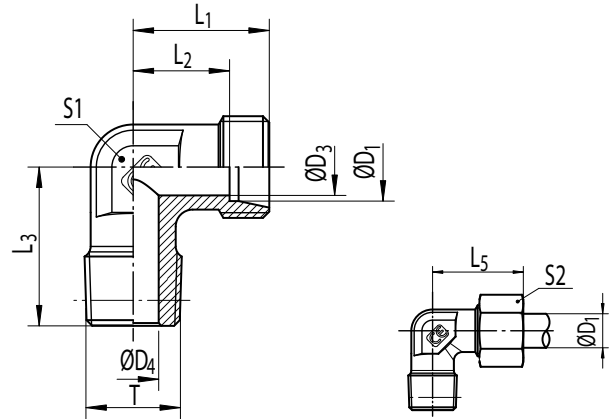
*Replace the character "C" with "CF" when you require steel!
C = Stainless Steel, 1.4571 (Seal FKM) CF = Galvanized Steel Cr(VI)-free (Seal NBR)

Accreditations



FT-WE-NPT

Male Stud Elbow



NPT male stud connector (SAE J476) /
24° tube connection (DIN EN ISO 8434-1)

| Series | PN [bar] | | ØD ₁ [mm] | T | ØD ₃ [mm] | ØD ₄ [mm] | L ₁ [mm] | L ₂ [mm] | L ₃ [mm] | L ₅ [mm] | S ₁ [mm] | S ₂ [mm] | Ordering Code * | kg/100 | | |
|--------|------------------|------|----------------------|------------|----------------------|----------------------|---------------------|---------------------|---------------------|---------------------|---------------------|----------------------|---------------------|--------|----------------------|------|
| | C | CF | | | | | | | | | | | | | | |
| LL | 100 | 100 | 4 | 1/8-27 NPT | 3.0 | 4.0 | 15 | 11.0 | 17 | 21 | 9 | 10 | FT-WE 04 LL 1/8 NPT | 1.2 | | |
| | | | 6 | 1/8-27 NPT | 4.5 | 4.5 | 15 | 9.5 | 17 | 21 | 9 | 12 | FT-WE 06 LL 1/8 NPT | 1.1 | | |
| | | | 8 | 1/8-27 NPT | 6.0 | 5.0 | 17 | 11.5 | 20 | 23 | 12 | 14 | FT-WE 08 LL 1/8 NPT | 1.7 | | |
| L | 315 | 315 | 6 | 1/8-27 NPT | 4.0 | 4.0 | 19 | 12.0 | 20 | 27 | 12 | 14 | FT-WE 06 L 1/8 NPT | 2.1 | | |
| | | | 6 | 1/4-18 NPT | 4.0 | 7.0 | 21 | 14.0 | 26 | 29 | 12 | 14 | FT-WE 06 L 1/4 NPT | 2.7 | | |
| | | | 6 | 3/8-18 NPT | 4.0 | 8.0 | 25 | 18.0 | 28 | 33 | 17 | 14 | FT-WE 06 L 3/8 NPT | 5.7 | | |
| | | | 8 | 1/8-27 NPT | 6.0 | 4.0 | 21 | 14.0 | 26 | 29 | 12 | 17 | FT-WE 08 L 1/8 NPT | 2.7 | | |
| | | | 8 | 1/4-18 NPT | 6.0 | 6.0 | 21 | 14.0 | 26 | 29 | 12 | 17 | FT-WE 08 L 1/4 NPT | 2.9 | | |
| | | | 10 | 1/4-18 NPT | 8.0 | 7.0 | 22 | 15.0 | 27 | 30 | 14 | 19 | FT-WE 10 L 1/4 NPT | 3.5 | | |
| | | | 10 | 3/8-18 NPT | 8.0 | 8.0 | 24 | 17.0 | 28 | 32 | 17 | 19 | FT-WE 10 L 3/8 NPT | 5.4 | | |
| | | | 12 | 1/4-18 NPT | 10.0 | 7.0 | 24 | 17.0 | 28 | 32 | 17 | 22 | FT-WE 12 L 1/4 NPT | 4.6 | | |
| | | | 12 | 3/8-18 NPT | 10.0 | 8.0 | 24 | 17.0 | 28 | 32 | 17 | 22 | FT-WE 12 L 3/8 NPT | 5.2 | | |
| | | | 12 | 1/2-14 NPT | 10.0 | 11.0 | 28 | 21.0 | 34 | 36 | 19 | 22 | FT-WE 12 L 1/2 NPT | 8.8 | | |
| | | | 15 | 1/2-14 NPT | 12.0 | 11.0 | 28 | 21.0 | 34 | 36 | 19 | 27 | FT-WE 15 L 1/2 NPT | 9.2 | | |
| | | | 18 | 1/2-14 NPT | 15.0 | 12.0 | 31 | 23.5 | 36 | 40 | 24 | 32 | FT-WE 18 L 1/2 NPT | 11.7 | | |
| | | | 22 | 3/4-14 NPT | 19.0 | 16.0 | 35 | 27.5 | 42 | 44 | 27 | 36 | FT-WE 22 L 3/4 NPT | 17.0 | | |
| | | | 160 | 160 | 28 | 1-11 1/2 NPT | 24.0 | 21.0 | 38 | 30.5 | 48 | 47 | 36 | 41 | FT-WE 28 L 1 NPT | 29.0 |
| | | | | | 35 | 1 1/4-11 1/2 NPT | 30.0 | 28.0 | 45 | 34.5 | 54 | 56 | 41 | 50 | FT-WE 35 L 1 1/4 NPT | 47.7 |
| 42 | 1 1/2-11 1/2 NPT | 36.0 | | | 34.0 | 51 | 40.0 | 61 | 63 | 50 | 60 | FT-WE 42 L 1 1/2 NPT | 70.6 | | | |
| S | 630 | 630 | 6 | 1/4-18 NPT | 4.0 | 4.0 | 23 | 16.0 | 26 | 31 | 12 | 17 | FT-WE 06 S 1/4 NPT | 3.8 | | |
| | | | 8 | 1/4-18 NPT | 5.0 | 5.0 | 24 | 17.0 | 27 | 32 | 14 | 19 | FT-WE 08 S 1/4 NPT | 4.5 | | |
| | | | 8 | 3/8-18 NPT | 5.0 | 8.0 | 25 | 18.0 | 28 | 33 | 17 | 19 | FT-WE 08 S 3/8 NPT | 6.1 | | |
| | | | 8 | 1/2-14 NPT | 5.0 | 10.0 | 30 | 23.0 | 34 | 38 | 19 | 19 | FT-WE 08 S 1/2 NPT | 10.9 | | |
| | | | 10 | 1/4-18 NPT | 7.0 | 5.0 | 25 | 17.5 | 28 | 34 | 17 | 22 | FT-WE 10 S 1/4 NPT | 6.0 | | |
| | | | 10 | 3/8-18 NPT | 7.0 | 7.0 | 25 | 17.5 | 28 | 34 | 17 | 22 | FT-WE 10 S 3/8 NPT | 6.4 | | |
| | | | 12 | 1/4-18 NPT | 8.0 | 5.0 | 29 | 21.5 | 28 | 38 | 17 | 24 | FT-WE 12 S 1/4 NPT | 7.5 | | |
| | | | 12 | 3/8-18 NPT | 8.0 | 8.0 | 29 | 21.5 | 28 | 38 | 17 | 24 | FT-WE 12 S 3/8 NPT | 7.7 | | |
| | | | 12 | 1/2-14 NPT | 8.0 | 10.0 | 30 | 22.5 | 34 | 39 | 19 | 24 | FT-WE 12 S 1/2 NPT | 10.8 | | |
| | | | 14 | 1/2-14 NPT | 10.0 | 10.0 | 30 | 22.0 | 34 | 40 | 19 | 27 | FT-WE 14 S 1/2 NPT | 10.6 | | |
| | | | 400 | 400 | 16 | 1/2-14 NPT | 12.0 | 12.0 | 33 | 24.5 | 36 | 43 | 24 | 30 | FT-WE 16 S 1/2 NPT | 13.3 |
| | | | | | 20 | 3/4-14 NPT | 16.0 | 16.0 | 37 | 26.5 | 42 | 48 | 27 | 36 | FT-WE 20 S 3/4 NPT | 19.9 |
| | | | | | 25 | 1-11 1/2 NPT | 20.0 | 20.0 | 42 | 30.0 | 48 | 54 | 36 | 46 | FT-WE 25 S 1 NPT | 38.0 |
| | | | | | 30 | 1 1/4-11 1/2 NPT | 25.0 | 25.0 | 49 | 35.5 | 54 | 62 | 41 | 50 | FT-WE 30 S 1 1/4 NPT | 60.5 |
| | | | 250 | 315 | 38 | 1 1/2-11 1/2 NPT | 32.0 | 32.0 | 57 | 41.0 | 61 | 72 | 50 | 60 | FT-WE 38 S 1 1/2 NPT | 88.0 |

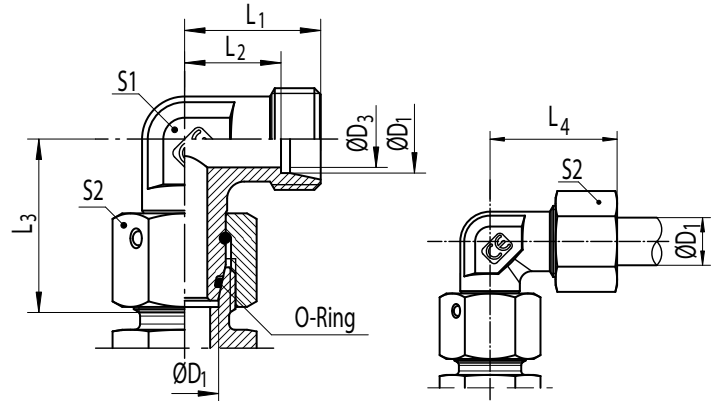
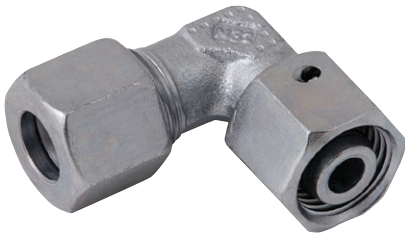
*Replace the character "C" with "CF" when you require steel!
C = Stainless Steel, 1.4571 CF = Galvanized Steel Cr(VI)-free

Accreditations



FT-EW

Adjustable Elbow Fitting with Cone



24° Swivel (DIN EN ISO 8434-1) /
24° Tube Connection (DIN EN ISO 8434-1).

| Series | PN [bar] | | ØD ₁ [mm] | ØD ₃ [mm] | L ₁ [mm] | L ₂ [mm] | L ₃ [mm] | L ₄ [mm] | S1 [mm] | S2 [mm] | Ordering Code * | kg/100 |
|--------|----------|-----|----------------------|----------------------|---------------------|---------------------|---------------------|---------------------|---------|---------|-----------------|--------|
| | C | CF | | | | | | | | | | |
| L | 315 | 500 | 6 | 4 | 19 | 12.0 | 26.0 | 27 | 12 | 14 | FT-EW 06 L | 2.9 |
| | | | 8 | 6 | 21 | 14.0 | 27.5 | 29 | 12 | 17 | FT-EW 08 L | 4.1 |
| | | | 10 | 8 | 22 | 15.0 | 29.0 | 30 | 14 | 19 | FT-EW 10 L | 5.3 |
| | 315 | 400 | 12 | 10 | 24 | 17.0 | 29.5 | 32 | 17 | 22 | FT-EW 12 L | 7.1 |
| | | | 15 | 12 | 28 | 21.0 | 32.5 | 36 | 19 | 27 | FT-EW 15 L | 12.8 |
| | | | 18 | 15 | 31 | 23.5 | 35.5 | 40 | 24 | 32 | FT-EW 18 L | 17.2 |
| | 160 | 250 | 22 | 19 | 35 | 27.5 | 38.5 | 44 | 27 | 36 | FT-EW 22 L | 23.4 |
| | | | 28 | 24 | 38 | 30.5 | 41.5 | 47 | 36 | 41 | FT-EW 28 L | 33.4 |
| | | | 35 | 30 | 45 | 34.5 | 51.0 | 56 | 41 | 50 | FT-EW 35 L | 51.7 |
| | | | 42 | 36 | 51 | 40.0 | 56.0 | 63 | 50 | 60 | FT-EW 42 L | 78.3 |
| S | 630 | 800 | 6 | 4 | 23 | 16.0 | 27.0 | 31 | 12 | 17 | FT-EW 06 S | 4.6 |
| | | | 8 | 5 | 24 | 17.0 | 27.5 | 32 | 14 | 19 | FT-EW 08 S | 6.1 |
| | | | 10 | 7 | 25 | 17.5 | 30.0 | 34 | 17 | 22 | FT-EW 10 S | 8.1 |
| | 630 | 630 | 12 | 8 | 29 | 21.5 | 31.0 | 38 | 17 | 24 | FT-EW 12 S | 10.4 |
| | | | 14 | 10 | 30 | 22.0 | 35.0 | 40 | 19 | 27 | FT-EW 14 S | 14.6 |
| | 400 | 630 | 16 | 12 | 33 | 24.5 | 36.5 | 43 | 24 | 30 | FT-EW 16 S | 18.9 |
| | | | 20 | 16 | 37 | 26.5 | 44.5 | 48 | 27 | 36 | FT-EW 20 S | 29.0 |
| | 400 | 400 | 25 | 20 | 42 | 30.0 | 50.0 | 54 | 36 | 46 | FT-EW 25 S | 53.6 |
| | | | 30 | 25 | 49 | 35.5 | 55.0 | 62 | 41 | 50 | FT-EW 30 S | 70.5 |
| | 250 | 400 | 38 | 32 | 57 | 41.0 | 63.0 | 72 | 50 | 60 | FT-EW 38 S | 107.4 |

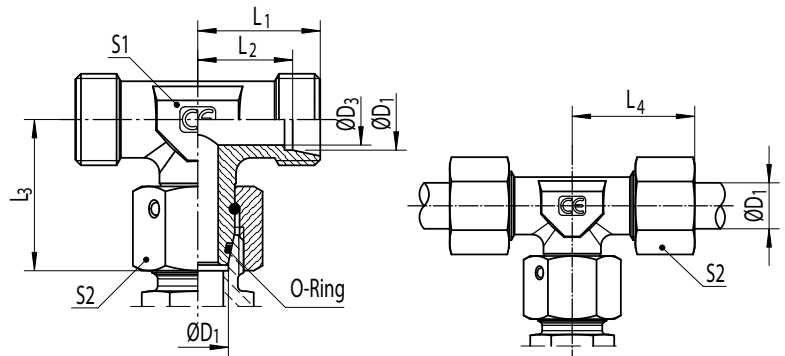
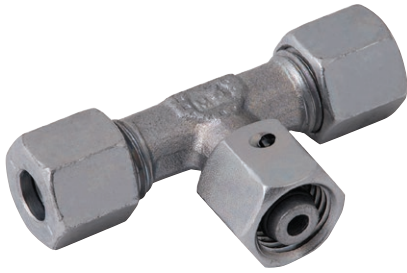
*Replace the character "C" with "CF" when you require steel!
C = Stainless Steel, 1.4571 (Seal FKM) CF = Galvanized Steel Cr(VI)-free (Seal NBR)

Accreditations



FT-ET

Adjustable T Fitting with Cone



24° Swivel (DIN EN ISO 8434-1) /
24° Tube Connection (DIN EN ISO 8434-1).

| Series | PN [bar] | | ØD ₁ [mm] | ØD ₃ [mm] | L ₁ [mm] | L ₂ [mm] | L ₃ [mm] | L ₄ [mm] | S ₁ [mm] | S ₂ [mm] | Ordering Code * | kg/100 |
|--------|----------|-----|----------------------|----------------------|---------------------|---------------------|---------------------|---------------------|---------------------|---------------------|-----------------|--------|
| | C | CF | | | | | | | | | | |
| L | 315 | 500 | 6 | 4 | 19 | 12.0 | 26.0 | 27 | 12 | 14 | FT-ET 06 L | 3.7 |
| | | | 8 | 6 | 21 | 14.0 | 27.5 | 29 | 12 | 17 | FT-ET 08 L | 4.6 |
| | | | 10 | 8 | 22 | 15.0 | 29.0 | 30 | 14 | 19 | FT-ET 10 L | 6.2 |
| | 315 | 400 | 12 | 10 | 24 | 17.0 | 29.5 | 32 | 17 | 22 | FT-ET 12 L | 8.3 |
| | | | 15 | 12 | 28 | 21.0 | 32.5 | 36 | 19 | 27 | FT-ET 15 L | 15.2 |
| | | | 18 | 15 | 31 | 23.5 | 35.5 | 40 | 24 | 32 | FT-ET 18 L | 20.6 |
| | 160 | 250 | 22 | 19 | 35 | 27.5 | 38.5 | 44 | 27 | 36 | FT-ET 22 L | 27.3 |
| | | | 28 | 24 | 38 | 30.5 | 41.5 | 47 | 36 | 41 | FT-ET 28 L | 39.7 |
| | | | 35 | 30 | 45 | 34.5 | 51.0 | 56 | 41 | 50 | FT-ET 35 L | 61.1 |
| | | | 42 | 36 | 51 | 40.0 | 56.0 | 63 | 50 | 60 | FT-ET 42 L | 93.4 |
| S | 630 | 800 | 6 | 4 | 23 | 16.0 | 27.0 | 31 | 12 | 17 | FT-ET 06 S | 5.9 |
| | | | 8 | 5 | 24 | 17.0 | 27.5 | 32 | 14 | 19 | FT-ET 08 S | 7.9 |
| | | | 10 | 7 | 25 | 17.5 | 30.0 | 34 | 17 | 22 | FT-ET 10 S | 10.2 |
| | 630 | 630 | 12 | 8 | 29 | 21.5 | 31.0 | 38 | 17 | 24 | FT-ET 12 S | 13.5 |
| | | | 14 | 10 | 30 | 22.0 | 35.0 | 40 | 19 | 27 | FT-ET 14 S | 18.0 |
| | 400 | 630 | 16 | 12 | 33 | 24.5 | 36.5 | 43 | 24 | 30 | FT-ET 16 S | 23.3 |
| | | | 20 | 16 | 37 | 26.5 | 44.5 | 48 | 27 | 36 | FT-ET 20 S | 35.1 |
| | 400 | 400 | 25 | 20 | 42 | 30.0 | 50.0 | 54 | 36 | 46 | FT-ET 25 S | 64.5 |
| | | | 30 | 25 | 49 | 35.5 | 55.0 | 62 | 41 | 50 | FT-ET 30 S | 87.0 |
| | 250 | 400 | 38 | 32 | 57 | 41.0 | 63.0 | 72 | 50 | 60 | FT-ET 38 S | 132.4 |

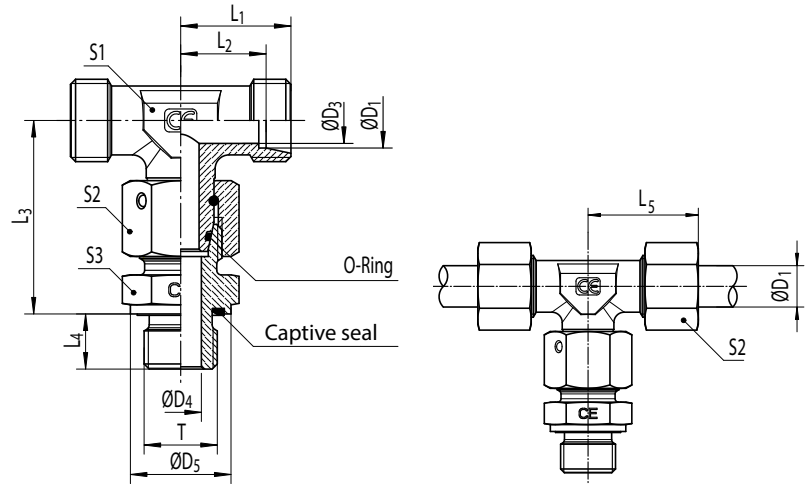
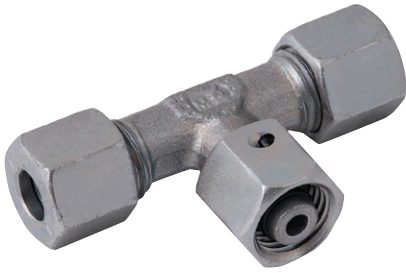
*Replace the character "C" with "CF" when you require steel!
C = Stainless Steel, 1.4571 (Seal FKM) CF = Galvanized Steel Cr(VI)-free (Seal NBR)

Accreditations



FT-ET-R-WD

Adjustable T Fitting with Cone



Male BSPP thread with captive seal
(ISO 1179, Type E) / 24° tube connection
(DIN EN ISO 8434-1).

| Series | PN [bar] | | ØD ₁ [mm] | T | ØD ₃ [mm] | ØD ₄ [mm] | ØD ₅ [mm] | L ₁ [mm] | L ₂ [mm] | L ₃ [mm] | L ₄ [mm] | L ₅ [mm] | S ₁ [mm] | S ₂ [mm] | S ₃ [mm] | Ordering Code * | kg/100 |
|--------|----------|-----|----------------------|---------|----------------------|----------------------|----------------------|---------------------|---------------------|---------------------|---------------------|---------------------|---------------------|---------------------|--------------------------|--------------------------|--------|
| | C | CF | | | | | | | | | | | | | | | |
| L | 315 | 500 | 6 | G1/8A | 4 | 4 | 14 | 19 | 12.0 | 34.5 | 8 | 27 | 12 | 14 | 14 | FT-ET 06 LRWD | 5.1 |
| | | | 8 | G1/4A | 6 | 6 | 19 | 21 | 14.0 | 37.5 | 12 | 29 | 12 | 17 | 19 | FT-ET 08 LRWD | 7.1 |
| | | | 10 | G1/4A | 8 | 6 | 19 | 22 | 15.0 | 40.0 | 12 | 30 | 14 | 19 | 19 | FT-ET 10 LRWD | 9.2 |
| | 315 | 400 | 12 | G3/8A | 10 | 9 | 22 | 24 | 17.0 | 42.0 | 12 | 32 | 17 | 22 | 22 | FT-ET 12 LRWD | 12.4 |
| | | | 15 | G1/2A | 12 | 11 | 27 | 28 | 21.0 | 46.5 | 14 | 36 | 19 | 27 | 27 | FT-ET 15 LRWD | 22.3 |
| | | | 18 | G1/2A | 15 | 14 | 27 | 31 | 23.5 | 50.0 | 14 | 40 | 24 | 32 | 27 | FT-ET 18 LRWD | 27.6 |
| | 160 | 250 | 22 | G3/4A | 19 | 18 | 32 | 35 | 27.5 | 55.0 | 16 | 44 | 27 | 36 | 32 | FT-ET 22 LRWD | 37.7 |
| | | | 28 | G1A | 24 | 23 | 40 | 38 | 30.5 | 59.0 | 18 | 47 | 36 | 41 | 41 | FT-ET 28 LRWD | 56.2 |
| 35 | | | G1 1/4A | 30 | 30 | 50 | 45 | 34.5 | 68.5 | 20 | 56 | 41 | 50 | 50 | FT-ET 35 LRWD | 88.6 | |
| 42 | | | G1 1/2A | 36 | 36 | 55 | 51 | 40.0 | 75.0 | 22 | 63 | 50 | 60 | 55 | FT-ET 42 LRWD | 127.9 | |
| S | 630 | 800 | 6 | G1/4A | 4 | 4 | 19 | 23 | 16.0 | 40.0 | 12 | 31 | 12 | 17 | 19 | FT-ET 06 SRWD | 9.4 |
| | | | 8 | G1/4A | 5 | 5 | 19 | 24 | 17.0 | 42.5 | 12 | 32 | 14 | 19 | 19 | FT-ET 08 SRWD | 11.9 |
| | | | 10 | G3/8A | 7 | 7 | 22 | 25 | 17.5 | 45.0 | 12 | 34 | 17 | 22 | 22 | FT-ET 10 SRWD | 15.7 |
| | 630 | 630 | 12 | G3/8A | 8 | 8 | 22 | 29 | 21.5 | 48.0 | 12 | 38 | 17 | 24 | 22 | FT-ET 12 SRWD | 19.7 |
| | | | 14 | G1/2A | 10 | 10 | 27 | 30 | 22.0 | 54.0 | 14 | 40 | 19 | 27 | 27 | FT-ET 14 SRWD | 27.8 |
| | 400 | 630 | 16 | G1/2A | 12 | 12 | 27 | 33 | 24.5 | 55.0 | 14 | 43 | 24 | 30 | 27 | FT-ET 16 SRWD | 32.6 |
| | | | 20 | G3/4A | 16 | 16 | 32 | 37 | 26.5 | 65.0 | 16 | 48 | 27 | 36 | 32 | FT-ET 20 SRWD | 50.1 |
| | 400 | 400 | 25 | G1A | 20 | 20 | 40 | 42 | 30.0 | 73.0 | 18 | 54 | 36 | 46 | 41 | FT-ET 25 SRWD | 91.5 |
| | | | 30 | G1 1/4A | 25 | 25 | 50 | 49 | 35.5 | 78.5 | 20 | 62 | 41 | 50 | 50 | FT-ET 30 SRWD OMD | 129.0 |
| 250 | 400 | 38 | G1 1/2A | 32 | 32 | 55 | 57 | 41.0 | 89.0 | 22 | 72 | 50 | 60 | 55 | FT-ET 38 SRWD OMD | 188.9 | |

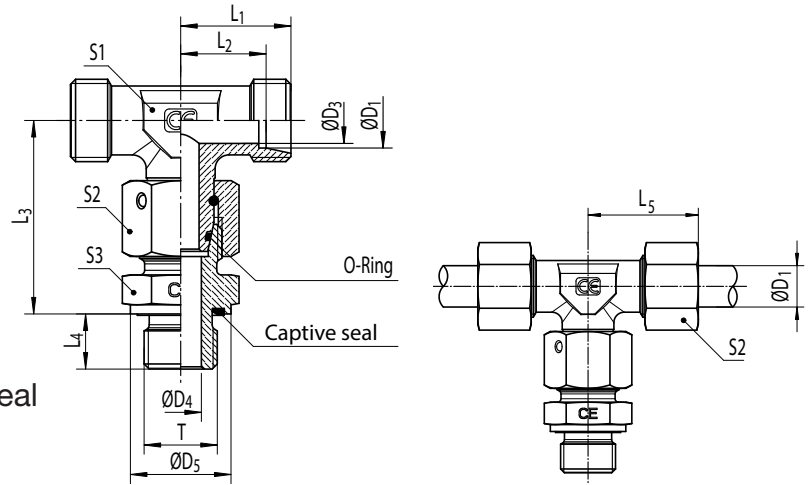
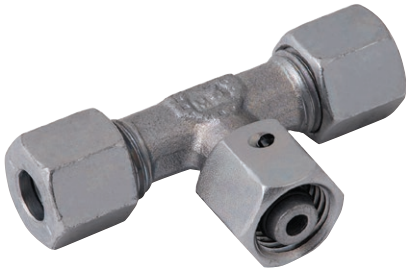
*Replace the character "C" with "CF" when you require steel!
C = Stainless Steel, 1.4571 (Seal FKM) **CF** = Galvanized Steel Cr(VI)-free (Seal NBR)

Accreditations



FT-ET-M-WD

Adjustable T Fitting with Cone



Metric male stud connector with captive seal (ISO 9974, Type E) / 24° tube connection (DIN EN ISO 8434-1).

| Series | PN [bar] | | ØD ₁ [mm] | T | ØD ₃ [mm] | ØD ₄ [mm] | ØD ₅ [mm] | L ₁ [mm] | L ₂ [mm] | L ₃ [mm] | L ₄ [mm] | L ₅ [mm] | S ₁ [mm] | S ₂ [mm] | S ₃ [mm] | Ordering Code * | kg/100 |
|--------|----------|-----|----------------------|---------|----------------------|----------------------|----------------------|---------------------|---------------------|---------------------|---------------------|---------------------|---------------------|---------------------|-----------------------|-----------------------|--------|
| | C | CF | | | | | | | | | | | | | | | |
| L | 315 | 500 | 6 | M10x1 | 4 | 4 | 14 | 19 | 12.0 | 34.5 | 8 | 27 | 12 | 14 | 14 | FT-ET 06 LM WD | 5.1 |
| | | | 8 | M12x1.5 | 6 | 6 | 17 | 21 | 14.0 | 37.5 | 12 | 29 | 12 | 17 | 17 | FT-ET 08 LM WD | 6.8 |
| | | | 10 | M14x1.5 | 8 | 7 | 19 | 22 | 15.0 | 40.0 | 12 | 30 | 14 | 19 | 19 | FT-ET 10 LM WD | 9.1 |
| | 315 | 400 | 12 | M16x1.5 | 10 | 9 | 22 | 24 | 17.0 | 42.0 | 12 | 32 | 17 | 22 | 22 | FT-ET 12 LM WD | 12.3 |
| | | | 15 | M18x1.5 | 12 | 11 | 24 | 28 | 21.0 | 46.0 | 12 | 36 | 19 | 27 | 24 | FT-ET 15 LM WD | 20.3 |
| | | | 18 | M22x1.5 | 15 | 14 | 27 | 31 | 23.5 | 50.0 | 14 | 40 | 24 | 32 | 27 | FT-ET 18 LM WD | 28.1 |
| | 160 | 250 | 22 | M26x1.5 | 19 | 18 | 32 | 35 | 27.5 | 55.0 | 16 | 44 | 27 | 36 | 32 | FT-ET 22 LM WD | 37.6 |
| | | | 28 | M33x2 | 24 | 23 | 40 | 38 | 30.5 | 59.0 | 18 | 47 | 36 | 41 | 41 | FT-ET 28 LM WD | 56.3 |
| | | | 35 | M42x2 | 30 | 30 | 50 | 45 | 34.5 | 68.5 | 20 | 56 | 41 | 50 | 50 | FT-ET 35 LM WD | 88.6 |
| 42 | | | M48x2 | 36 | 36 | 55 | 51 | 40.0 | 75.0 | 22 | 63 | 50 | 60 | 55 | FT-ET 42 LM WD | 128.5 | |
| S | 630 | 800 | 6 | M12x1.5 | 4 | 4 | 17 | 23 | 16.0 | 40.0 | 12 | 31 | 12 | 17 | 17 | FT-ET 06 SM WD | 8.9 |
| | | | 8 | M14x1.5 | 5 | 5 | 19 | 24 | 17.0 | 42.5 | 12 | 32 | 14 | 19 | 19 | FT-ET 08 SM WD | 12.1 |
| | | | 10 | M16x1.5 | 7 | 7 | 22 | 25 | 17.5 | 45.0 | 12 | 34 | 17 | 22 | 22 | FT-ET 10 SM WD | 15.7 |
| | 630 | 630 | 12 | M18x1.5 | 8 | 8 | 24 | 29 | 21.5 | 48.0 | 12 | 38 | 17 | 24 | 24 | FT-ET 12 SM WD | 20.7 |
| | | | 14 | M20x1.5 | 10 | 10 | 26 | 30 | 22.0 | 54.0 | 14 | 40 | 19 | 27 | 27 | FT-ET 14 SM WD | 27.5 |
| | 400 | 630 | 16 | M22x1.5 | 12 | 12 | 27 | 33 | 24.5 | 55.0 | 14 | 43 | 24 | 30 | 27 | FT-ET 16 SM WD | 32.9 |
| | | | 20 | M27x2 | 16 | 16 | 32 | 37 | 26.5 | 65.0 | 16 | 48 | 27 | 36 | 32 | FT-ET 20 SM WD | 50.6 |
| | 400 | 400 | 25 | M33x2 | 20 | 20 | 40 | 42 | 30.0 | 73.0 | 18 | 54 | 36 | 46 | 41 | FT-ET 25 SM WD | 91.1 |
| | | | 30 | M42x2 | 25 | 25 | 50 | 49 | 35.5 | 78.5 | 20 | 62 | 41 | 50 | 50 | FT-ET 30 SM WD | 129.5 |
| 250 | 400 | 38 | M48x2 | 32 | 32 | 55 | 57 | 41.0 | 89.0 | 22 | 72 | 50 | 60 | 55 | FT-ET 38 SM WD | 190.4 | |

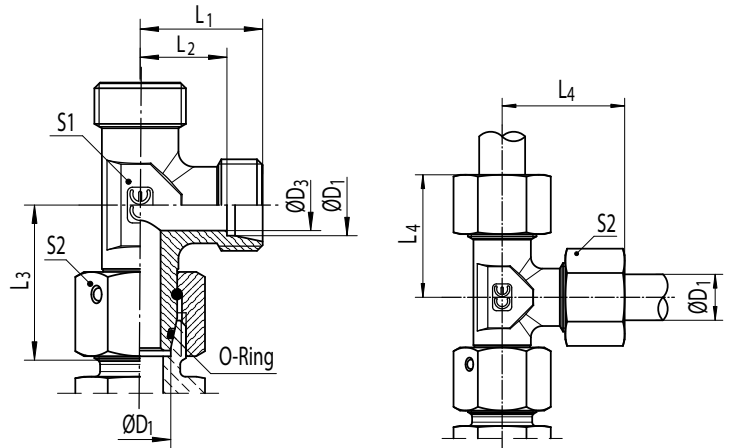
*Replace the character "C" with "CF" when you require steel!
C = Stainless Steel, 1.4571 (Seal FKM) CF = Galvanized Steel Cr(VI)-free (Seal NBR)

Accreditations



FT-EL

Adjustable Shaft Run T Fitting with Cone



24° swivel (DIN EN ISO 8434-1) /
24° tube connection (DIN EN ISO 8434-1).

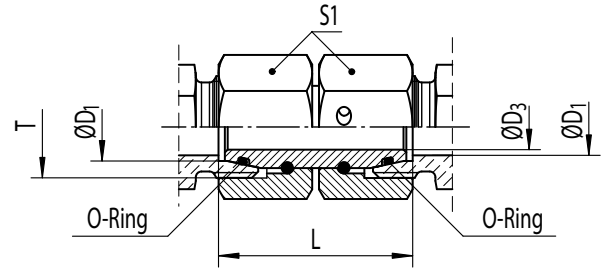
| Series | PN [bar] | | ØD ₁ [mm] | ØD ₃ [mm] | L ₁ [mm] | L ₂ [mm] | L ₃ [mm] | L ₄ [mm] | S1 [mm] | S2 [mm] | Ordering Code * | kg/100 |
|--------|----------|-----|----------------------|----------------------|---------------------|---------------------|---------------------|---------------------|---------|-------------------|-------------------|--------|
| | C | CF | | | | | | | | | | |
| L | 315 | 500 | 6 | 4 | 19 | 12.0 | 26.0 | 27 | 12 | 14 | FT-EL 06 L | 3.7 |
| | | | 8 | 6 | 21 | 14.0 | 27.5 | 29 | 12 | 17 | FT-EL 08 L | 5.0 |
| | | | 10 | 8 | 22 | 15.0 | 29.0 | 30 | 14 | 19 | FT-EL 10 L | 6.4 |
| | 315 | 400 | 12 | 10 | 24 | 17.0 | 29.5 | 32 | 17 | 22 | FT-EL 12 L | 8.2 |
| | | | 15 | 12 | 28 | 21.0 | 32.5 | 36 | 19 | 27 | FT-EL 15 L | 15.1 |
| | | | 18 | 15 | 31 | 23.5 | 35.5 | 40 | 24 | 32 | FT-EL 18 L | 20.5 |
| | 160 | 250 | 22 | 19 | 35 | 27.5 | 38.5 | 44 | 27 | 36 | FT-EL 22 L | 27.0 |
| | | | 28 | 24 | 38 | 30.5 | 41.5 | 47 | 36 | 41 | FT-EL 28 L | 39.6 |
| | | | 35 | 30 | 45 | 34.5 | 51.0 | 56 | 41 | 50 | FT-EL 35 L | 60.4 |
| | | | 42 | 36 | 51 | 40.0 | 56.0 | 63 | 50 | 60 | FT-EL 42 L | 89.1 |
| S | 630 | 800 | 6 | 4 | 23 | 16.0 | 27.0 | 31 | 12 | 17 | FT-EL 06 S | 5.9 |
| | | | 8 | 5 | 24 | 17.0 | 27.5 | 32 | 14 | 19 | FT-EL 08 S | 7.7 |
| | | | 10 | 7 | 25 | 17.5 | 30.0 | 34 | 17 | 22 | FT-EL 10 S | 10.3 |
| | 630 | 630 | 12 | 8 | 29 | 21.5 | 31.0 | 38 | 17 | 24 | FT-EL 12 S | 13.4 |
| | | | 14 | 10 | 30 | 22.0 | 35.0 | 40 | 19 | 27 | FT-EL 14 S | 17.7 |
| | 400 | 630 | 16 | 12 | 33 | 24.5 | 36.5 | 43 | 24 | 30 | FT-EL 16 S | 23.3 |
| | 400 | 400 | 20 | 16 | 37 | 26.5 | 44.5 | 48 | 27 | 36 | FT-EL 20 S | 35.1 |
| | | | 25 | 20 | 42 | 30.0 | 50.0 | 54 | 36 | 46 | FT-EL 25 S | 63.3 |
| | | | 30 | 25 | 49 | 35.5 | 55.0 | 62 | 41 | 50 | FT-EL 30 S | 85.6 |
| 250 | 400 | 38 | 32 | 57 | 41.0 | 63.0 | 72 | 50 | 60 | FT-EL 38 S | 132.7 | |

*Replace the character "C" with "CF" when you require steel!
C = Stainless Steel, 1.4571 (Seal FKM) **CF** = Galvanized Steel Cr(VI)-free (Seal NBR)

Accreditations



FT-GZ Union Piece with Swivel



24° cone (DIN EN ISO 8434-1).

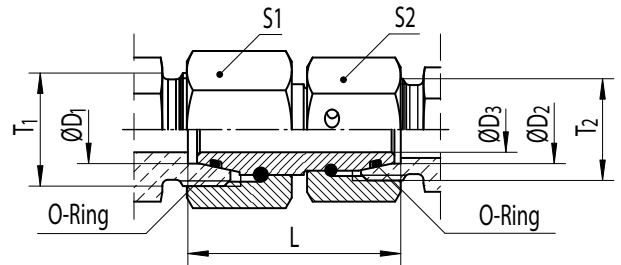
| Series | PN [bar] | | $\varnothing D_1$ [mm] | T | $\varnothing D_3$ [mm] | S1 [mm] | L [mm] | Ordering Code* | kg/ 100 |
|--------|----------|-----|---------------------------|---------|---------------------------|------------|-----------|-------------------|------------|
| | C | CF | | | | | | | |
| L | 315 | 500 | 6 | M12x1.5 | 2.5 | 14 | 33 | FT-GZ 06 L | 2.7 |
| | | | 8 | M14x1.5 | 4.0 | 17 | 33 | FT-GZ 08 L | 4.3 |
| | | | 10 | M16x1.5 | 6.0 | 19 | 34 | FT-GZ 10 L | 5.4 |
| | 315 | 400 | 12 | M18x1.5 | 8.0 | 22 | 34 | FT-GZ 12 L | 7.3 |
| | | | 15 | M22x1.5 | 10.0 | 27 | 39 | FT-GZ 15 L | 14.0 |
| | | | 18 | M26x1.5 | 13.0 | 32 | 38 | FT-GZ 18 L | 17.1 |
| | 160 | 250 | 22 | M30x2 | 17.0 | 36 | 44 | FT-GZ 22 L | 24.2 |
| | | | 28 | M36x2 | 22.0 | 41 | 48 | FT-GZ 28 L | 28.7 |
| | | | 35 | M45x2 | 28.0 | 50 | 52 | FT-GZ 35 L | 43.9 |
| | | | 42 | M52x2 | 34.0 | 60 | 57 | FT-GZ 42 L | 67.7 |
| S | 630 | 800 | 6 | M14x1.5 | 2.5 | 17 | 33 | FT-GZ 06 S | 4.2 |
| | | | 8 | M16x1.5 | 4.0 | 19 | 34 | FT-GZ 08 S | 5.4 |
| | | | 10 | M18x1.5 | 6.0 | 22 | 35 | FT-GZ 10 S | 7.4 |
| | 630 | 630 | 12 | M20x1.5 | 8.0 | 24 | 38 | FT-GZ 12 S | 9.6 |
| | 630 | 630 | 14 | M22x1.5 | 9.0 | 27 | 41 | FT-GZ 14 S | 14.3 |
| | 400 | 630 | 16 | M24x1.5 | 11.0 | 30 | 42 | FT-GZ 16 S | 17.4 |
| | 400 | 400 | 20 | M30x2 | 14.0 | 36 | 48 | FT-GZ 20 S | 25.8 |
| | | | 25 | M36x2 | 18.0 | 46 | 53 | FT-GZ 25 S | 50.7 |
| | | | 30 | M42x2 | 23.0 | 50 | 62 | FT-GZ 30 S | 58.9 |
| | 315 | 400 | 38 | M52x2 | 30.0 | 60 | 67 | FT-GZ 38 S | 87.1 |

*Replace the character "C" with "CF" when you require steel!
C = Stainless Steel, 1.4571 (Seal FKM) CF = Galvanized Steel Cr(VI)-free (Seal NBR)

Accreditations



FT-GZR Straight Reducer with Swivel (L, L/S)



24° Swivel (DIN EN ISO 8434-1).

| Series | PN [bar] | | ØD ₁ [mm] | ØD ₂ [mm] | T ₁ | T ₂ | ØD ₃ [mm] | L [mm] | S1 [mm] | S2 [mm] | Ordering Code * | kg/100 | | |
|--------|----------|-----|----------------------|----------------------|----------------|----------------|----------------------|---------|------------------|---------|------------------|------------------|------------------|------|
| | C | CF | | | | | | | | | | | | |
| L/S | 315 | 500 | 6 | 6 | M14x1.5 | M12x1.5 | 2.5 | 33.0 | 17 | 14 | FT-GZR 06 L/06 S | 3.4 | | |
| L | | | 8 | 6 | M14x1.5 | M12x1.5 | 2.5 | 33.0 | 17 | 14 | FT-GZR 08/06 L | 3.5 | | |
| L/S | | | 8 | 8 | M16x1.5 | M14x1.5 | 4.0 | 34.0 | 17 | 19 | FT-GZR 08 L/08 S | 4.9 | | |
| L | | | 10 | 6 | M16x1.5 | M12x1.5 | 2.5 | 34.0 | 19 | 14 | FT-GZR 10/06 L | 4.1 | | |
| L/S | | | 10 | 8 | M16x1.5 | M14x1.5 | 4.0 | 34.0 | 19 | 17 | FT-GZR 10/08 L | 4.9 | | |
| L/S | 315 | 400 | 10 | 10 | M18x1.5 | M16x1.5 | 6.0 | 34.5 | 19 | 22 | FT-GZR 10 L/10 S | 6.4 | | |
| L | | | 12 | 6 | M18x1.5 | M12x1.5 | 2.5 | 34.0 | 22 | 14 | FT-GZR 12/06 L | 5.1 | | |
| | | | 12 | 8 | M18x1.5 | M14x1.5 | 4.0 | 34.0 | 22 | 17 | FT-GZR 12/08 L | 5.8 | | |
| | | | 12 | 10 | M18x1.5 | M16x1.5 | 6.0 | 34.0 | 22 | 19 | FT-GZR 12/10 L | 6.3 | | |
| L/S | | | L | 12 | 12 | 12 | M20x1.5 | M18x1.5 | 8.0 | 37.5 | 22 | 24 | FT-GZR 12 L/12 S | 8.6 |
| L | | | | | 15 | 8 | M22x1.5 | M14x1.5 | 4.0 | 39.0 | 27 | 17 | FT-GZR 15/08 L | 9.8 |
| | | | | | 15 | 10 | M22x1.5 | M16x1.5 | 6.0 | 39.0 | 27 | 19 | FT-GZR 15/10 L | 10.2 |
| | | | | | 15 | 12 | M22x1.5 | M18x1.5 | 8.0 | 39.0 | 27 | 22 | FT-GZR 15/12 L | 11.1 |
| | | | | | 18 | 10 | M26x1.5 | M16x1.5 | 6.0 | 37.5 | 32 | 19 | FT-GZR 18/10 L | 11.8 |
| | | | | | 18 | 12 | M26x1.5 | M18x1.5 | 8.0 | 37.5 | 32 | 22 | FT-GZR 18/12 L | 12.7 |
| | 18 | 15 | | | M26x1.5 | M22x1.5 | 10.0 | 39.5 | 32 | 27 | FT-GZR 18/15 L | 15.8 | | |
| | L/S | 18 | | | 16 | M26x1.5 | M24x1.5 | 11.0 | 41.5 | 32 | 30 | FT-GZR 18 L/16 S | 17.6 | |
| L | 160 | 250 | 22 | 12 | M30x2 | M18x1.5 | 8.0 | 43.5 | 36 | 22 | FT-GZR 22/12 L | 17.3 | | |
| | | | 22 | 15 | M30x2 | M22x1.5 | 10.0 | 43.5 | 36 | 27 | FT-GZR 22/15 L | 19.9 | | |
| | | | 22 | 18 | M30x2 | M26x1.5 | 13.0 | 44.0 | 36 | 32 | FT-GZR 22/18 L | 21.6 | | |
| L/S | | | 22 | 20 | M30x2 | M30x2 | 14.0 | 47.0 | 36 | 36 | FT-GZR 22 L/20 S | 25.2 | | |
| L | | | 28 | 15 | M36x2 | M22x1.5 | 10.0 | 47.5 | 41 | 27 | FT-GZR 28/15 L | 23.9 | | |
| | | | 28 | 18 | M36x2 | M26x1.5 | 13.0 | 48.0 | 41 | 32 | FT-GZR 28/18 L | 22.9 | | |
| | | | 28 | 22 | M36x2 | M30x2 | 17.0 | 46.0 | 41 | 36 | FT-GZR 28/22 L | 27.4 | | |
| L/S | | | 28 | 25 | M36x2 | M36x2 | 18.0 | 50.5 | 41 | 46 | FT-GZR 28 L/25 S | 39.6 | | |
| L | | | 35 | 18 | M45x2 | M26x1.5 | 13.0 | 51.0 | 50 | 32 | FT-GZR 35/18 L | 36.2 | | |
| | | | 35 | 22 | M45x2 | M30x2 | 17.0 | 51.0 | 50 | 36 | FT-GZR 35/22 L | 37.0 | | |
| | 35 | 28 | M45x2 | M36x2 | 22.0 | 51.0 | 50 | 41 | FT-GZR 35/28 L | 38.7 | | | | |
| L/S | 35 | 30 | M45x2 | M42x2 | 22.0 | 59.0 | 50 | 50 | FT-GZR 35 L/30 S | 51.1 | | | | |
| L | 42 | 22 | M52x2 | M30x2 | 17.0 | 55.5 | 60 | 36 | FT-GZR 42/22 L | 53.5 | | | | |
| | | 28 | M52x2 | M36x2 | 22.0 | 55.5 | 60 | 41 | FT-GZR 42/28 L | 54.7 | | | | |
| | | 35 | M52x2 | M45x2 | 28.0 | 56.5 | 60 | 50 | FT-GZR 42/35 L | 58.3 | | | | |
| L/S | 42 | 38 | M52x2 | M52x2 | 30.0 | 62.0 | 60 | 60 | FT-GZR 42 L/38 S | 77.3 | | | | |

*Replace the character "C" with "CF" when you require steel!
C = Stainless Steel, 1.4571 (Seal FKM) CF = Galvanized Steel Cr(VI)-free (Seal NBR)

Accreditations

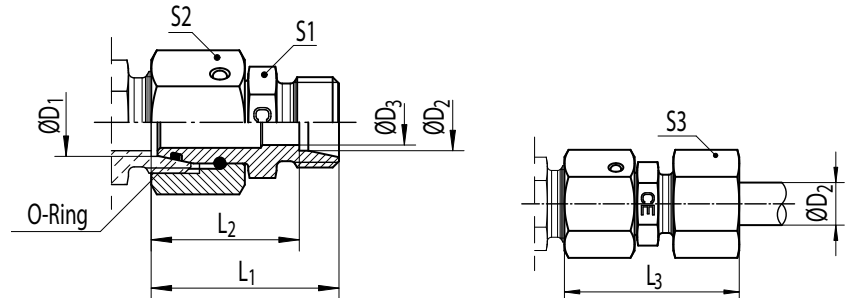


FT-RED

Cone End Reducer with Swivel (L/LL, L, L/S)



24° swivel (DIN EN ISO 8434-1)
/ 24° tube connection
(DIN EN ISO 8434-1).



| Series | PN [bar] | | ØD ₁ [mm] | ØD ₂ [mm] | ØD ₃ [mm] | L ₁ [mm] | L ₂ [mm] | L ₃ [mm] | S ₁ [mm] | S ₂ [mm] | S ₃ [mm] | Ordering Code* | kg/100 |
|--------|----------|-----|----------------------|----------------------|----------------------|---------------------|---------------------|---------------------|---------------------|---------------------|---------------------|------------------|--------|
| | C | CF | | | | | | | | | | | |
| L/LL | 100 | 100 | 6 | 4 | 2.5 | 28.5 | 24.5 | 34 | 9 | 14 | 10 | FT-RED 06L/04 LL | 1.7 |
| L | 315 | 500 | 8 | 6 | 4.0 | 30.5 | 23.5 | 38 | 12 | 17 | 14 | FT-RED 08/06 L | 3.0 |
| | | | 10 | 6 | 4.0 | 32.0 | 25.0 | 40 | 14 | 19 | 14 | FT-RED 10/06 L | 3.8 |
| | | | 10 | 8 | 6.0 | 32.0 | 25.0 | 40 | 14 | 19 | 17 | FT-RED 10/08 L | 3.8 |
| | | | 12 | 6 | 4.0 | 32.0 | 25.0 | 40 | 17 | 22 | 14 | FT-RED 12/06 L | 5.0 |
| | | | 12 | 8 | 6.0 | 32.0 | 25.0 | 40 | 17 | 22 | 17 | FT-RED 12/08 L | 5.1 |
| | | | 12 | 10 | 8.0 | 33.0 | 26.0 | 41 | 17 | 22 | 19 | FT-RED 12/10 L | 5.2 |
| | | | 15 | 6 | 4.0 | 35.5 | 28.5 | 43 | 19 | 27 | 14 | FT-RED 15/06 L | 8.8 |
| | | | 15 | 8 | 6.0 | 35.5 | 28.5 | 43 | 19 | 27 | 17 | FT-RED 15/08 L | 8.8 |
| | | | 15 | 10 | 8.0 | 36.5 | 29.5 | 44 | 19 | 27 | 19 | FT-RED 15/10 L | 9.0 |
| | | | 15 | 12 | 10.0 | 36.5 | 29.5 | 44 | 19 | 27 | 22 | FT-RED 15/12 L | 9.0 |
| | | | 18 | 6 | 4.0 | 35.0 | 28.0 | 43 | 24 | 32 | 14 | FT-RED 18/06 L | 11.1 |
| | | | 18 | 8 | 6.0 | 35.0 | 28.0 | 43 | 24 | 32 | 17 | FT-RED 18/08 L | 11.2 |
| | | | 18 | 10 | 8.0 | 36.0 | 29.0 | 44 | 24 | 32 | 19 | FT-RED 18/10 L | 11.4 |
| | | | 18 | 12 | 10.0 | 36.0 | 29.0 | 44 | 24 | 32 | 22 | FT-RED 18/12 L | 11.4 |
| | | | 18 | 15 | 12.0 | 37.0 | 30.0 | 45 | 24 | 32 | 27 | FT-RED 18/15 L | 12.3 |
| L/S | | | 18 | 16 | 12.0 | 40.0 | 31.5 | 50 | 27 | 32 | 30 | FT-RED 18 L/16 S | 14.2 |
| L | 160 | 250 | 22 | 6 | 4.0 | 39.0 | 32.0 | 47 | 27 | 36 | 14 | FT-RED 22/06 L | 15.5 |
| | | | 22 | 8 | 6.0 | 39.0 | 32.0 | 47 | 27 | 36 | 17 | FT-RED 22/08 L | 15.6 |
| | | | 22 | 10 | 8.0 | 40.0 | 33.0 | 48 | 27 | 36 | 19 | FT-RED 22/10 L | 15.8 |
| | | | 22 | 12 | 10.0 | 40.0 | 33.0 | 48 | 27 | 36 | 22 | FT-RED 22/12 L | 15.8 |
| | | | 22 | 15 | 12.0 | 41.0 | 34.0 | 49 | 27 | 36 | 27 | FT-RED 22/15 L | 16.4 |
| L/S | | | 22 | 16 | 12.0 | 43.0 | 34.5 | 53 | 27 | 36 | 30 | FT-RED 22 L/16 S | 19.3 |
| L | | | 22 | 18 | 15.0 | 41.0 | 33.5 | 50 | 27 | 36 | 32 | FT-RED 22/18 L | 17.7 |
| L/S | | | 22 | 20 | 16.0 | 45.0 | 34.5 | 56 | 32 | 36 | 36 | FT-RED 22 L/20 S | 20.5 |

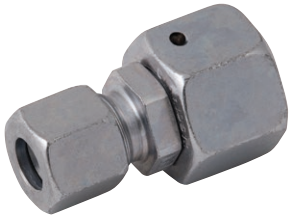
*Replace the character "C" with "CF" when you require steel!
C = Stainless Steel, 1.4571 (Seal FKM) CF = Galvanized Steel Cr(VI)-free (Seal NBR)

Accreditations

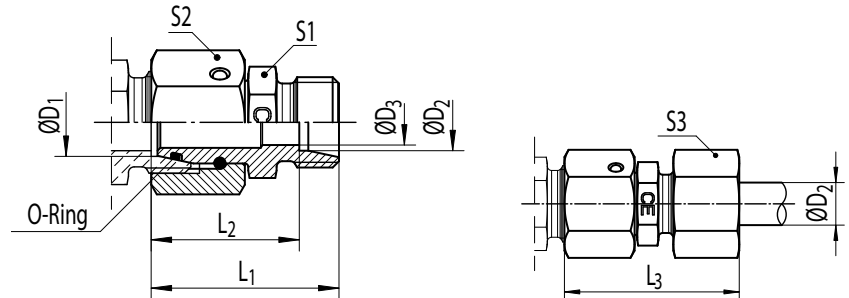


FT-RED

Cone End Reducer with Swivel (L, L/S)



24° swivel (DIN EN ISO 8434-1)
/ 24° tube connection
(DIN EN ISO 8434-1).



| Series | PN [bar] | | ØD ₁ [mm] | ØD ₂ [mm] | ØD ₃ [mm] | L ₁ [mm] | L ₂ [mm] | L ₃ [mm] | S ₁ [mm] | S ₂ [mm] | S ₃ [mm] | Ordering Code* | kg/100 |
|--------|----------|-----|----------------------|----------------------|----------------------|---------------------|---------------------|---------------------|---------------------|---------------------|---------------------|------------------|--------|
| | C | CF | | | | | | | | | | | |
| L | 160 | 250 | 28 | 6 | 4 | 41.0 | 34.0 | 49 | 32 | 41 | 14 | FT-RED 28/06 L | 20.1 |
| | | | 28 | 8 | 6 | 41.0 | 34.0 | 49 | 32 | 41 | 17 | FT-RED 28/08 L | 20.1 |
| | | | 28 | 10 | 8 | 42.0 | 35.0 | 50 | 32 | 41 | 19 | FT-RED 28/10 L | 20.3 |
| | | | 28 | 12 | 10 | 42.0 | 35.0 | 50 | 32 | 41 | 22 | FT-RED 28/12 L | 20.3 |
| | | | 28 | 15 | 12 | 43.0 | 36.0 | 51 | 32 | 41 | 27 | FT-RED 28/15 L | 20.8 |
| L/S | | | 28 | 16 | 12 | 45.0 | 36.5 | 55 | 32 | 41 | 30 | FT-RED 28 L/16 S | 23.4 |
| L | | | 28 | 18 | 15 | 43.0 | 35.5 | 52 | 32 | 41 | 32 | FT-RED 28/18 L | 21.1 |
| | | | 28 | 22 | 19 | 45.0 | 37.5 | 54 | 32 | 41 | 36 | FT-RED 28/22 L | 22.7 |
| L/S | | | 28 | 25 | 20 | 50.0 | 38.0 | 62 | 41 | 41 | 46 | FT-RED 28 L/25 S | 31.3 |
| L | | | 35 | 6 | 4 | 44.0 | 37.0 | 52 | 41 | 50 | 14 | FT-RED 35/06 L | 30.0 |
| | 35 | 8 | 6 | 44.0 | 37.0 | 52 | 41 | 50 | 17 | FT-RED 35/08 L | 30.2 | | |
| | 35 | 10 | 8 | 45.0 | 38.0 | 53 | 41 | 50 | 19 | FT-RED 35/10 L | 30.3 | | |
| | 35 | 12 | 10 | 45.0 | 38.0 | 53 | 41 | 50 | 22 | FT-RED 35/12 L | 30.4 | | |
| | 35 | 15 | 12 | 46.0 | 39.0 | 54 | 41 | 50 | 27 | FT-RED 35/15 L | 31.1 | | |
| | 35 | 18 | 15 | 46.0 | 38.5 | 55 | 41 | 50 | 32 | FT-RED 35/18 L | 31.5 | | |
| | 35 | 22 | 19 | 48.0 | 40.5 | 57 | 41 | 50 | 36 | FT-RED 35/22 L | 32.0 | | |
| | L/S | 35 | 25 | 20 | 52.0 | 40.0 | 64 | 41 | 50 | 46 | FT-RED 35 L/25 S | 38.0 | |
| L | 35 | 28 | 24 | 48.0 | 40.5 | 57 | 41 | 50 | 41 | FT-RED 35/28 L | 32.2 | | |
| | L/S | 35 | 30 | 25 | 55.0 | 41.5 | 68 | 46 | 50 | 50 | FT-RED 35 L/30 S | 43.6 | |
| L | 42 | 10 | 8 | 48.5 | 41.5 | 56 | 50 | 60 | 19 | FT-RED 42/10 L | 49.4 | | |
| | 42 | 12 | 10 | 48.5 | 41.5 | 56 | 50 | 60 | 22 | FT-RED 42/12 L | 49.5 | | |
| | 42 | 15 | 12 | 49.5 | 42.5 | 58 | 50 | 60 | 27 | FT-RED 42/15 L | 50.1 | | |
| | 42 | 18 | 15 | 49.5 | 42.0 | 58 | 50 | 60 | 32 | FT-RED 42/18 L | 50.5 | | |
| | 42 | 22 | 19 | 51.5 | 44.0 | 60 | 50 | 60 | 36 | FT-RED 42/22 L | 50.8 | | |
| | | | 42 | 28 | 24 | 51.5 | 44.0 | 61 | 50 | 60 | 41 | FT-RED 42/28 L | 50.8 |

*Replace the character "C" with "CF" when you require steel!
C = Stainless Steel, 1.4571 (Seal FKM) CF = Galvanized Steel Cr(VI)-free (Seal NBR)

Accreditations

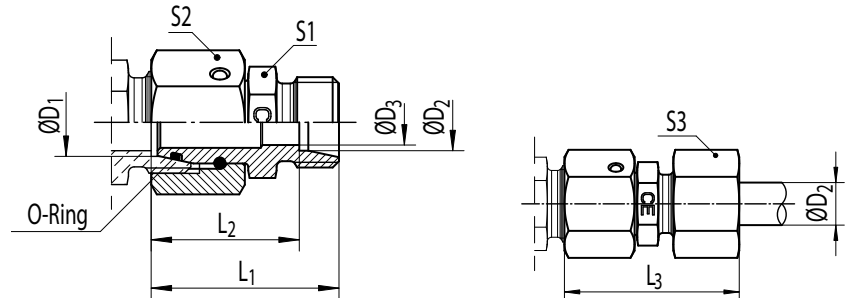


FT-RED

Cone End Reducer with Swivel (L/S, L, S, S/L)



24° swivel (DIN EN ISO 8434-1)
/ 24° tube connection
(DIN EN ISO 8434-1).

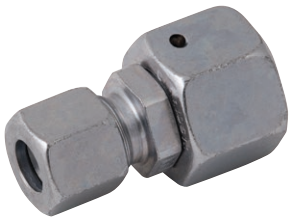


| Series | PN [bar] | | ØD ₁ [mm] | ØD ₂ [mm] | ØD ₃ [mm] | L ₁ [mm] | L ₂ [mm] | L ₃ [mm] | S1 [mm] | S2 [mm] | S3 [mm] | Ordering Code* | kg/100 |
|--------|----------|-----|----------------------|----------------------|----------------------|---------------------|---------------------|---------------------|---------|---------|---------|------------------|--------|
| | C | CF | | | | | | | | | | | |
| L/S | 160 | 250 | 42 | 30 | 25 | 57.5 | 44.0 | 71 | 50 | 60 | 50 | FT-RED 42 L/30 S | 56.4 |
| L | | | 42 | 35 | 30 | 53.5 | 43.0 | 65 | 50 | 60 | 50 | FT-RED 42/35 L | 52.2 |
| L/S | | | 42 | 38 | 32 | 61.5 | 45.5 | 76 | 55 | 60 | 60 | FT-RED 42 L/38 S | 69.2 |
| S | 630 | 800 | 8 | 6 | 4 | 34.0 | 27.0 | 42 | 14 | 19 | 17 | FT-RED 08/06 S | 4.3 |
| | | | 10 | 6 | 4 | 34.5 | 27.5 | 42 | 17 | 22 | 17 | FT-RED 10/06 S | 5.6 |
| | | | 10 | 8 | 5 | 34.5 | 27.5 | 42 | 17 | 22 | 19 | FT-RED 10/08 S | 5.9 |
| | 630 | 630 | 12 | 6 | 4 | 36.0 | 29.0 | 44 | 17 | 24 | 17 | FT-RED 12/06 S | 6.6 |
| | | | 12 | 8 | 5 | 36.0 | 29.0 | 44 | 17 | 24 | 19 | FT-RED 12/08 S | 6.9 |
| | | | 12 | 10 | 7 | 37.0 | 29.5 | 46 | 19 | 24 | 22 | FT-RED 12/10 S | 7.6 |
| | | | 14 | 6 | 4 | 38.5 | 31.5 | 46 | 19 | 27 | 17 | FT-RED 14/06 S | 9.5 |
| | | | 14 | 8 | 5 | 38.5 | 31.5 | 46 | 19 | 27 | 19 | FT-RED 14/08 S | 9.7 |
| | | | 14 | 10 | 7 | 38.5 | 31.0 | 47 | 19 | 27 | 22 | FT-RED 14/10 S | 9.8 |
| | | | 14 | 12 | 8 | 38.5 | 31.0 | 47 | 22 | 27 | 24 | FT-RED 14/12 S | 10.7 |
| | 400 | 630 | 16 | 6 | 4 | 39.0 | 32.0 | 47 | 22 | 30 | 17 | FT-RED 16/06 S | 11.4 |
| | | | 16 | 8 | 5 | 39.0 | 32.0 | 47 | 22 | 30 | 19 | FT-RED 16/08 S | 11.7 |
| | | | 16 | 10 | 7 | 39.0 | 31.6 | 48 | 22 | 30 | 22 | FT-RED 16/10 S | 11.8 |
| | | | 16 | 12 | 8 | 39.0 | 31.5 | 48 | 22 | 30 | 24 | FT-RED 16/12 S | 12.0 |
| | | | 16 | 14 | 10 | 41.0 | 33.0 | 51 | 24 | 30 | 27 | FT-RED 16/14 S | 13.2 |
| S/L | 315 | 400 | 16 | 15 | 11 | 39.0 | 32.0 | 47 | 24 | 30 | 27 | FT-RED 16 S/15 L | 12.3 |
| S | 400 | 400 | 20 | 6 | 4 | 43.0 | 36.0 | 51 | 27 | 36 | 17 | FT-RED 20/06 S | 17.0 |
| | | | 20 | 8 | 5 | 43.0 | 36.0 | 51 | 27 | 36 | 19 | FT-RED 20/08 S | 17.2 |
| | | | 20 | 10 | 7 | 43.0 | 35.5 | 52 | 27 | 36 | 22 | FT-RED 20/10 S | 17.4 |
| | | | 20 | 12 | 8 | 43.0 | 35.5 | 52 | 27 | 36 | 24 | FT-RED 20/12 S | 17.6 |
| | | | 20 | 14 | 10 | 45.0 | 37.0 | 55 | 27 | 36 | 27 | FT-RED 20/14 S | 18.1 |
| S/L | 315 | 400 | 20 | 15 | 12 | 43.0 | 36.0 | 51 | 27 | 36 | 27 | FT-RED 20 S/15 L | 18.1 |
| S | 400 | 400 | 20 | 16 | 12 | 45.0 | 36.5 | 55 | 27 | 36 | 30 | FT-RED 20/16 S | 18.9 |
| S/L | 315 | 400 | 20 | 18 | 14 | 43.0 | 35.5 | 52 | 27 | 36 | 32 | FT-RED 20 S/18 L | 17.9 |

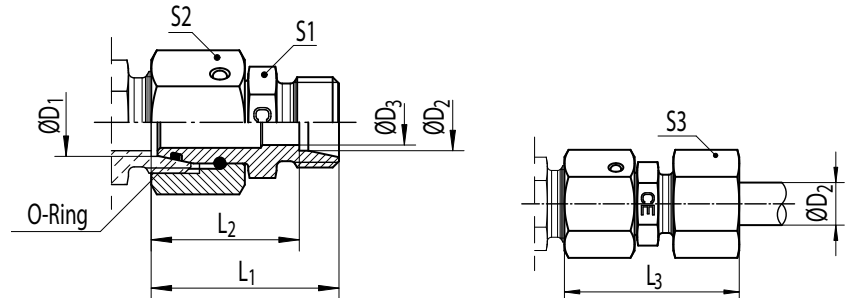
*Replace the character "C" with "CF" when you require steel!
C = Stainless Steel, 1.4571 (Seal FKM) CF = Galvanized Steel Cr(VI)-free (Seal NBR)

FT-RED

Cone End Reducer with Swivel (L/S, L, S, S/L)



24° swivel (DIN EN ISO 8434-1)
/ 24° tube connection
(DIN EN ISO 8434-1).



| Series | PN [bar] | | ØD ₁ [mm] | ØD ₂ [mm] | ØD ₃ [mm] | L ₁ [mm] | L ₂ [mm] | L ₃ [mm] | S1 [mm] | S2 [mm] | S3 [mm] | Ordering Code* | kg/ 100 |
|--------|----------|-----|-------------------------|-------------------------|-------------------------|------------------------|------------------------|------------------------|------------|------------|------------|------------------|------------|
| | C | CF | | | | | | | | | | | |
| S | 400 | 400 | 25 | 6 | 4 | 45.5 | 38.5 | 53 | 32 | 46 | 17 | FT-RED 25/06 S | 30.6 |
| | | | 25 | 8 | 5 | 45.5 | 38.5 | 53 | 32 | 46 | 19 | FT-RED 25/08 S | 30.8 |
| | | | 25 | 10 | 7 | 45.5 | 38.0 | 54 | 32 | 46 | 22 | FT-RED 25/10 S | 31.0 |
| | | | 25 | 12 | 8 | 45.5 | 38.0 | 54 | 32 | 46 | 24 | FT-RED 25/12 S | 31.2 |
| | | | 25 | 14 | 10 | 47.5 | 39.5 | 57 | 32 | 46 | 27 | FT-RED 25/14 S | 31.8 |
| | | | 25 | 16 | 12 | 47.5 | 39.0 | 57 | 32 | 46 | 30 | FT-RED 25/16 S | 31.9 |
| S/L | 315 | 400 | 25 | 18 | 15 | 45.5 | 38.0 | 54 | 32 | 46 | 32 | FT-RED 25 S/18 L | 31.4 |
| S | 400 | 400 | 25 | 20 | 16 | 49.5 | 39.0 | 61 | 32 | 46 | 36 | FT-RED 25/20 S | 34.2 |
| S/L | 160 | 250 | 25 | 22 | 18 | 47.5 | 40.0 | 56 | 32 | 46 | 36 | FT-RED 25 S/22 L | 32.0 |
| S | 400 | 400 | 30 | 6 | 4 | 51.0 | 44.0 | 59 | 41 | 50 | 17 | FT-RED 30/06 S | 39.4 |
| | | | 30 | 8 | 5 | 51.0 | 44.0 | 59 | 41 | 50 | 19 | FT-RED 30/08 S | 39.6 |
| | | | 30 | 10 | 7 | 51.0 | 43.5 | 60 | 41 | 50 | 22 | FT-RED 30/10 S | 39.7 |
| | | | 30 | 12 | 8 | 51.0 | 43.5 | 60 | 41 | 50 | 24 | FT-RED 30/12 S | 40.0 |
| | | | 30 | 14 | 10 | 53.0 | 45.0 | 63 | 41 | 50 | 27 | FT-RED 30/14 S | 40.5 |
| | | | 30 | 16 | 12 | 53.0 | 44.5 | 63 | 41 | 50 | 30 | FT-RED 30/16 S | 40.6 |
| | | | 30 | 20 | 16 | 55.0 | 44.5 | 66 | 41 | 50 | 36 | FT-RED 30/20 S | 41.9 |
| | | | S/L | 160 | 250 | 30 | 22 | 19 | 53.0 | 45.5 | 61 | 41 | 50 |
| S | 400 | 400 | 30 | 25 | 20 | 57.0 | 45.0 | 69 | 41 | 50 | 46 | FT-RED 30/25 S | 45.8 |
| S/L | 160 | 250 | 30 | 28 | 23 | 53.0 | 45.5 | 62 | 41 | 50 | 41 | FT-RED 30 S/28 L | 40.6 |
| S | 315 | 400 | 38 | 6 | 4 | 54.5 | 47.5 | 62 | 50 | 60 | 17 | FT-RED 38/06 S | 57.4 |
| | | | 38 | 8 | 5 | 54.5 | 47.5 | 62 | 50 | 60 | 19 | FT-RED 38/08 S | 57.7 |
| | | | 38 | 10 | 7 | 54.5 | 47.0 | 63 | 50 | 60 | 22 | FT-RED 38/10 S | 57.9 |
| | | | 38 | 12 | 8 | 54.5 | 47.0 | 63 | 50 | 60 | 24 | FT-RED 38/12 S | 58.1 |
| | | | 38 | 14 | 10 | 56.5 | 48.5 | 66 | 50 | 60 | 27 | FT-RED 38/14 S | 58.7 |
| | | | 38 | 16 | 12 | 56.5 | 48.0 | 68 | 50 | 60 | 30 | FT-RED 38/16 S | 58.9 |
| | | | 38 | 20 | 16 | 58.5 | 48.0 | 70 | 50 | 60 | 36 | FT-RED 38/20 S | 60.3 |
| | | | 38 | 25 | 20 | 60.5 | 48.5 | 73 | 50 | 60 | 46 | FT-RED 38/25 S | 62.4 |
| S/L | 160 | 250 | 38 | 28 | 24 | 56.5 | 49.0 | 66 | 50 | 60 | 41 | FT-RED 38 S/28 L | 59.1 |
| S | 315 | 400 | 38 | 30 | 25 | 62.5 | 49.0 | 76 | 50 | 60 | 50 | FT-RED 38/30 S | 64.6 |
| S/L | 160 | 250 | 38 | 35 | 30 | 58.5 | 48.0 | 70 | 50 | 60 | 50 | FT-RED 38 S/35 L | 60.7 |

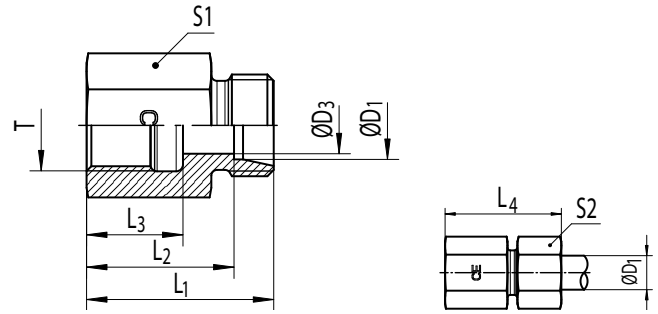
*Replace the character "C" with "CF" when you require steel!
C = Stainless Steel, 1.4571 (Seal FKM) CF = Galvanized Steel Cr(VI)-free (Seal NBR)

Accreditations



FT-GAI-M

Female Connectors



Female metric thread (DIN 3852-1 / ISO 9974-1) /
24° tube connection (DIN EN ISO 8434-1).

| Series | PN [bar] | | ØD ₁ [mm] | T | ØD ₃ [mm] | L ₁ [mm] | L ₂ [mm] | L ₃ [mm] | L ₄ [mm] | S ₁ [mm] | S ₂ [mm] | Ordering Code* | kg/100 |
|--------|----------|-----|----------------------|---------|----------------------|---------------------|---------------------|---------------------|---------------------|---------------------|---------------------|---------------------|--------|
| | C | CF | | | | | | | | | | | |
| L | 315 | 315 | 6 | M10x1 | 4 | 26.5 | 19.5 | 12.5 | 34.5 | 14 | 14 | FT-GAI 06 LM | 2.0 |
| | | | 8 | M12x1.5 | 6 | 31.0 | 24.0 | 17.0 | 39.0 | 17 | 17 | FT-GAI 08 LM | 3.3 |
| | | | 10 | M14x1.5 | 8 | 32.0 | 25.0 | 17.0 | 40.0 | 19 | 19 | FT-GAI 10 LM | 4.0 |
| | | | 12 | M16x1.5 | 10 | 33.0 | 26.0 | 17.0 | 41.0 | 22 | 22 | FT-GAI 12 LM | 5.3 |
| | | | 15 | M18x1.5 | 12 | 35.0 | 28.0 | 17.0 | 43.0 | 24 | 27 | FT-GAI 15 LM | 6.9 |
| | | | 18 | M22x1.5 | 15 | 37.0 | 29.5 | 19.0 | 46.0 | 30 | 32 | FT-GAI 18 LM | 11.3 |
| | 160 | 160 | 22 | M26x1.5 | 19 | 42.0 | 34.5 | 21.0 | 51.0 | 32 | 36 | FT-GAI 22 LM | 12.6 |
| | | | 28 | M33x2 | 24 | 45.0 | 37.5 | 24.0 | 54.0 | 41 | 41 | FT-GAI 28 LM | 21.5 |
| | | | 35 | M42x2 | 30 | 51.0 | 40.5 | 26.0 | 62.0 | 55 | 50 | FT-GAI 35 LM | 46.7 |
| | | | 42 | M48x2 | 36 | 53.0 | 42.0 | 28.0 | 65.0 | 60 | 60 | FT-GAI 42 LM | 53.2 |
| S | 400 | 400 | 6 | M12x1.5 | 4 | 33.0 | 26.0 | 17.0 | 41.0 | 17 | 17 | FT-GAI 06 SM | 3.7 |
| | | | 8 | M14x1.5 | 5 | 33.0 | 26.0 | 17.0 | 41.0 | 17 | 19 | FT-GAI 08 SM | 3.5 |
| | | | 10 | M16x1.5 | 7 | 34.0 | 26.5 | 17.0 | 43.0 | 22 | 22 | FT-GAI 10 SM | 6.0 |
| | | | 12 | M18x1.5 | 8 | 35.0 | 27.5 | 17.0 | 44.0 | 24 | 24 | FT-GAI 12 SM | 7.2 |
| | | | 14 | M20x1.5 | 10 | 39.0 | 31.0 | 19.0 | 49.0 | 27 | 27 | FT-GAI 14 SM | 9.9 |
| | | | 16 | M22x1.5 | 12 | 39.0 | 30.5 | 19.0 | 49.0 | 30 | 30 | FT-GAI 16 SM | 11.9 |
| | 315 | 315 | 20 | M27x2 | 16 | 45.0 | 34.5 | 22.0 | 56.0 | 36 | 36 | FT-GAI 20 SM | 19.3 |
| | | | 25 | M33x2 | 20 | 49.0 | 37.0 | 24.0 | 61.0 | 41 | 46 | FT-GAI 25 SM | 25.0 |
| | | | 30 | M42x2 | 25 | 55.0 | 41.5 | 26.0 | 68.0 | 55 | 50 | FT-GAI 30 SM | 51.0 |
| | | | 38 | M48x2 | 32 | 59.0 | 43.0 | 28.0 | 74.0 | 60 | 60 | FT-GAI 38 SM | 62.2 |
| 250 | 250 | 38 | M48x2 | 32 | 59.0 | 43.0 | 28.0 | 74.0 | 60 | 60 | FT-GAI 38 SM | 62.2 | |

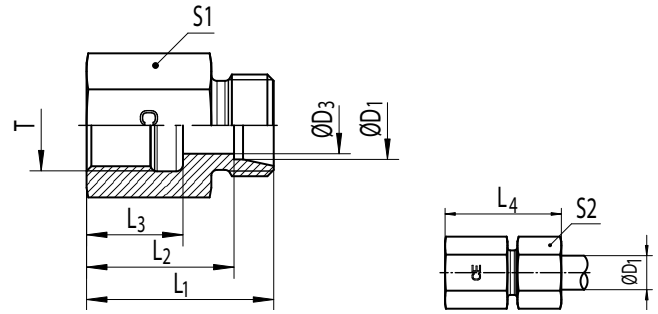
*Replace the character "C" with "CF" when you require steel!
C = Stainless Steel, 1.4571 CF = Galvanized Steel Cr(VI)-free

Accreditations



FT-GAI-R

Female Connectors



Female metric thread (DIN 3852-1 / ISO 9974-1) /
24° tube connection (DIN EN ISO 8434-1).

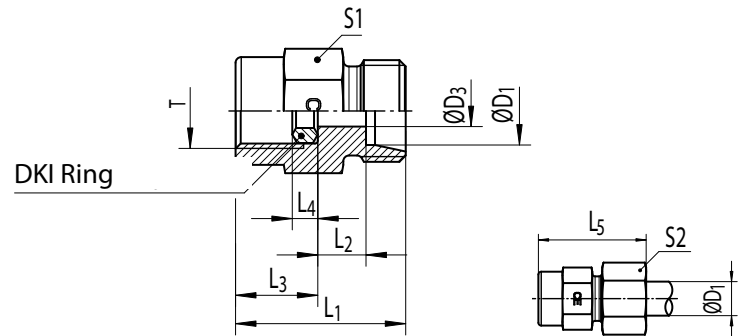
| Series | PN [bar] | | ØD ₁ [mm] | T | ØD ₃ [mm] | L ₁ [mm] | L ₂ [mm] | L ₃ [mm] | L ₄ [mm] | S ₁ [mm] | S ₂ [mm] | Ordering Code* | kg/100 | | | | |
|--------|----------|------|----------------------|--------|----------------------|---------------------|---------------------|---------------------|---------------------|---------------------|---------------------|------------------|--------------|------|----|--------------|------|
| | C | CF | | | | | | | | | | | | | | | |
| L | 315 | 315 | 6 | G1/8 | 4 | 26.0 | 19.0 | 12.0 | 34.0 | 14 | 14 | FT-GAI 06 LR | 1.9 | | | | |
| | | | 6 | G1/4 | 4 | 31.0 | 24.0 | 17.0 | 39.0 | 19 | 14 | FT-GAI 06 LR 1/4 | 3.9 | | | | |
| | | | 8 | G1/4 | 6 | 31.0 | 24.0 | 17.0 | 39.0 | 19 | 17 | FT-GAI 08 LR | 3.8 | | | | |
| | | | 8 | G3/8 | 6 | 32.0 | 25.0 | 17.0 | 40.0 | 24 | 17 | FT-GAI 08 LR 3/8 | 6.2 | | | | |
| | | | 8 | G1/2 | 6 | 36.0 | 29.0 | 20.0 | 44.0 | 27 | 17 | FT-GAI 08 LR 1/2 | 8.0 | | | | |
| | | | 10 | G1/4 | 8 | 32.0 | 25.0 | 17.0 | 40.0 | 19 | 19 | FT-GAI 10 LR | 4.1 | | | | |
| | | | 10 | G3/8 | 8 | 33.0 | 26.0 | 17.0 | 41.0 | 24 | 19 | FT-GAI 10 LR 3/8 | 6.2 | | | | |
| | | | 10 | G1/2 | 8 | 37.0 | 30.0 | 20.0 | 45.0 | 27 | 19 | FT-GAI 10 LR 1/2 | 8.0 | | | | |
| | | | 12 | G3/8 | 10 | 33.0 | 26.0 | 17.0 | 41.0 | 24 | 22 | FT-GAI 12 LR | 6.2 | | | | |
| | | | 12 | G1/2 | 10 | 37.0 | 30.0 | 20.0 | 45.0 | 27 | 22 | FT-GAI 12 LR 1/2 | 8.0 | | | | |
| | | | 15 | G1/2 | 12 | 38.0 | 31.0 | 20.0 | 46.0 | 27 | 27 | FT-GAI 15 LR | 8.8 | | | | |
| | | | 18 | G1/2 | 15 | 38.0 | 30.5 | 20.0 | 47.0 | 27 | 32 | FT-GAI 18 LR | 8.9 | | | | |
| | 18 | G3/8 | 15 | 34.0 | 26.5 | 17.0 | 43.0 | 27 | 32 | FT-GAI 18 LR 3/8 | 9.6 | | | | | | |
| | L | 160 | 160 | 22 | G3/4 | 19 | 43.0 | 35.5 | 22.0 | 52.0 | 36 | 36 | FT-GAI 22 LR | 17.3 | | | |
| 28 | | | | G1 | 24 | 45.5 | 38.0 | 24.5 | 54.5 | 41 | 41 | FT-GAI 28 LR | 21.0 | | | | |
| 35 | | | | G1 1/4 | 30 | 51.5 | 41.0 | 26.5 | 62.5 | 55 | 50 | FT-GAI 35 LR | 46.1 | | | | |
| 42 | | | | G1 1/2 | 36 | 53.5 | 42.5 | 28.5 | 65.5 | 60 | 60 | FT-GAI 42 LR | 52.2 | | | | |
| S | 400 | 400 | 6 | G1/4 | 4 | 33.0 | 26.0 | 17.0 | 41.0 | 19 | 17 | FT-GAI 06 SR | 4.2 | | | | |
| | | | 8 | G1/4 | 5 | 33.0 | 26.0 | 17.0 | 41.0 | 19 | 19 | FT-GAI 08 SR | 4.9 | | | | |
| | | | 10 | G3/8 | 7 | 34.0 | 26.5 | 17.0 | 43.0 | 24 | 22 | FT-GAI 10 SR | 6.9 | | | | |
| | | | 12 | G3/8 | 8 | 34.0 | 26.5 | 17.0 | 43.0 | 24 | 24 | FT-GAI 12 SR | 7.0 | | | | |
| | | | 12 | G1/2 | 8 | 38.0 | 30.5 | 20.0 | 47.0 | 30 | 24 | FT-GAI 12 SR 1/2 | 8.9 | | | | |
| | | | 14 | G1/2 | 10 | 40.0 | 32.0 | 20.0 | 50.0 | 30 | 27 | FT-GAI 14 SR | 12.3 | | | | |
| | S | 315 | 315 | 16 | G1/2 | 12 | 40.0 | 31.5 | 20.0 | 50.0 | 30 | 30 | FT-GAI 16 SR | 12.4 | | | |
| | | | | 20 | G3/4 | 16 | 45.0 | 34.5 | 22.0 | 56.0 | 36 | 36 | FT-GAI 20 SR | 19.0 | | | |
| | | | | 25 | G1 | 20 | 49.5 | 37.5 | 24.5 | 61.5 | 41 | 46 | FT-GAI 25 SR | 24.2 | | | |
| | | | | 30 | G1 1/4 | 25 | 55.5 | 42.0 | 26.5 | 68.5 | 55 | 50 | FT-GAI 30 SR | 50.1 | | | |
| | | | | S | 250 | 250 | 38 | G1 1/2 | 32 | 59.5 | 43.5 | 28.5 | 74.5 | 60 | 60 | FT-GAI 38 SR | 52.6 |

*Replace the character "C" with "CF" when you require steel!
C = Stainless Steel, 1.4571 CF = Galvanized Steel Cr(VI)-free

Accreditations



FT-MAV-R Pressure Gauge Connector



Female BSPP thread / 24° tube connection
(DIN EN ISO 8434-1).

| Series | PN [bar] | | ØD ₁ [mm] | T | ØD ₃ [mm] | L ₁ [mm] | L ₂ [mm] | L ₃ [mm] | L ₄ [mm] | L ₅ [mm] | S1 [mm] | S2 [mm] | Ordering Code* | kg/100 |
|-----------|----------|-----|----------------------|------|----------------------|---------------------|---------------------|---------------------|---------------------|---------------------|---------|---------|----------------------|--------|
| | C | CF | | | | | | | | | | | | |
| LL | 100 | 100 | 4 | G1/4 | 2.5 | 27 | 8.5 | 14.5 | 4.5 | 33 | 19 | 10 | FT-MAV 04 LLR | 3.5 |
| L | 315 | 315 | 6 | G1/4 | 2.5 | 29 | 7.5 | 14.5 | 4.5 | 37 | 19 | 14 | FT-MAV 06 LR | 3.8 |
| | | | 8 | G1/4 | 5.5 | 29 | 7.5 | 14.5 | 4.5 | 37 | 19 | 17 | FT-MAV 08 LR | 3.9 |
| | | | 10 | G1/4 | 5.5 | 30 | 8.5 | 14.5 | 4.5 | 38 | 19 | 19 | FT-MAV 10 LR | 4.1 |
| | | | 12 | G1/4 | 5.5 | 30 | 8.5 | 14.5 | 4.5 | 38 | 19 | 22 | FT-MAV 12 LR | 4.3 |
| S | 630 | 630 | 6 | G1/2 | 3.5 | 38 | 11 | 20 | 5.0 | 46 | 27 | 17 | FT-MAV 06 SR | 9.0 |
| | | | 8 | G1/2 | 3.5 | 38 | 11 | 20 | 5.0 | 46 | 27 | 19 | FT-MAV 08 SR | 9.3 |
| | | | 10 | G1/2 | 7.5 | 38 | 10.5 | 20 | 5.0 | 47 | 27 | 22 | FT-MAV 10 SR | 9.3 |
| | | | 12 | G1/2 | 7.5 | 38 | 10.5 | 20 | 5.0 | 47 | 27 | 24 | FT-MAV 12 SR | 9.6 |

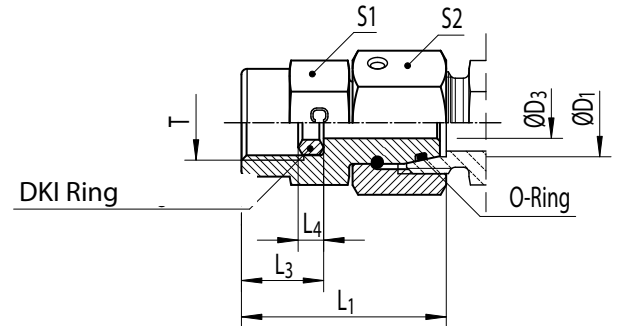
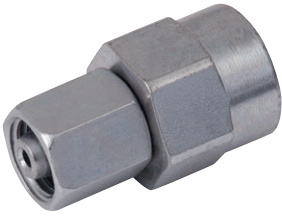
*Replace the character "C" with "CF" when you require steel!
C = Stainless Steel, 1.4571 CF = Galvanized Steel Cr(VI)-free

Accreditations



FT-MAVE

Pressure Gauge Swivel Connector



24° swivel (DIN EN ISO 8434-1) / female BSPP thread.

| Series | PN [bar] | | ØD ₁ [mm] | T | ØD ₃ [mm] | L ₁ [mm] | L ₃ [mm] | L ₄ [mm] | S1 [mm] | S2 [mm] | Ordering Code* | kg/100 |
|--------|----------|-----|----------------------|-------|----------------------|---------------------|---------------------|---------------------|---------|---------|--------------------------|--------|
| | C | CF | | | | | | | | | | |
| L | 315 | 315 | 6 | G 1/4 | 2.5 | 35.5 | 14.5 | 4.5 | 19 | 14 | FT-MAVE 06 LR | 4.7 |
| | | | 8 | G 1/4 | 4.0 | 35.5 | 14.5 | 4.5 | 19 | 17 | FT-MAVE 08 LR | 5.4 |
| | | | 10 | G 1/4 | 5.5 | 36.0 | 14.5 | 4.5 | 19 | 19 | FT-MAVE 10 LR | 6.0 |
| | | | 12 | G 1/4 | 5.5 | 36.0 | 14.5 | 4.5 | 19 | 22 | FT-MAVE 12 LR | 7.2 |
| S | 630 | 630 | 6 | G 1/2 | 2.5 | 42.5 | 20.0 | 5.0 | 27 | 17 | FT-MAVE 06 SR | 10.2 |
| | | | 6 | G 1/4 | 2.5 | 35.5 | 14.5 | 4.5 | 19 | 17 | FT-MAVE 06 SR 1/4 | 5.4 |
| | | | 8 | G 1/2 | 4.0 | 43.5 | 20.0 | 5.0 | 27 | 19 | FT-MAVE 08 SR | 10.8 |
| | | | 8 | G 1/4 | 4.0 | 35.5 | 14.5 | 4.5 | 19 | 19 | FT-MAVE 08 SR 1/4 | 5.9 |
| | | | 10 | G 1/2 | 6.0 | 43.5 | 20.0 | 5.0 | 27 | 22 | FT-MAVE 10 SR | 11.7 |
| | | | 10 | G 1/4 | 7.0 | 36.0 | 14.5 | 4.5 | 19 | 22 | FT-MAVE 10 SR 1/4 | 6.8 |
| | | | 12 | G 1/2 | 7.0 | 45.0 | 20.0 | 5.0 | 27 | 24 | FT-MAVE 12 SR | 12.9 |
| | | | 12 | G 1/4 | 7.0 | 39.0 | 14.5 | 4.5 | 19 | 24 | FT-MAVE 12 SR 1/4 | 8.5 |

*Replace the character "C" with "CF" when you require steel!
C = Stainless Steel, 1.4571 (Seal FKM) CF = Galvanized Steel Cr(VI)-free (Seal NBR)

Accreditations

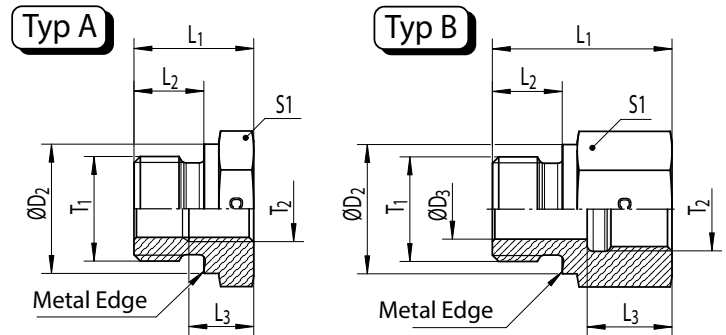


FT-RI

Reducing/Expanding Male Stud Connectors with Inside Thread



Male BSPP thread with metal sealing edge (ISO 1179, Type B) / female BSPP thread (DIN 3852-2 / ISO 1179-1).



| PN [bar] | C | | T ₁ | T ₂ | ØD ₂ [mm] | ØD ₃ [mm] | L ₁ [mm] | L ₂ [mm] | L ₃ [mm] | S ₁ [mm] | Type | Ordering Code * | kg/100 |
|----------|-----|-------|----------------|----------------|----------------------|----------------------|---------------------|---------------------|---------------------|---------------------|-------------------|-----------------|--------|
| | | CF | | | | | | | | | | | |
| 400 | 400 | G1/8A | G1/4 | 14 | 4 | 31.0 | 8 | 17.0 | 19 | B | FT-RI 1/8 X 1/4 | 4.2 | |
| | | G1/8A | G3/8 | 14 | 4 | 32.0 | 8 | 17.0 | 24 | B | FT-RI 1/8 X 3/8 | 6.5 | |
| | | G1/4A | G1/8 | 18 | 5 | 28.0 | 12 | 12.0 | 19 | B | FT-RI 1/4 X 1/8 | 4.0 | |
| | | G1/4A | G3/8 | 18 | 5 | 36.0 | 12 | 17.0 | 24 | B | FT-RI 1/4 X 3/8 | 7.0 | |
| | | G1/4A | G1/2 | 18 | 5 | 40.0 | 12 | 20.0 | 30 | B | FT-RI 1/4 X 1/2 | 12.0 | |
| 315 | 315 | G1/4A | G3/4 | 18 | 5 | 43.0 | 12 | 22.0 | 36 | B | FT-RI 1/4 X 3/4 | 17.7 | |
| 400 | 400 | G3/8A | G1/8 | 22 | | 22.5 | 12 | 12.0 | 22 | A | FT-RI 3/8 X 1/8 | 4.0 | |
| | | G3/8A | G1/4 | 22 | 8 | 36.0 | 12 | 17.0 | 22 | B | FT-RI 3/8 X 1/4 | 7.3 | |
| | | G3/8A | G1/2 | 22 | 8 | 41.0 | 12 | 20.0 | 30 | B | FT-RI 3/8 X 1/2 | 12.8 | |
| 315 | 315 | G3/8A | G3/4 | 22 | 8 | 44.0 | 12 | 22.0 | 36 | B | FT-RI 3/8 X 3/4 | 18.6 | |
| 400 | 400 | G1/2A | G1/8 | 26 | | 24.0 | 14 | 12.0 | 27 | A | FT-RI 1/2 X 1/8 | 6.7 | |
| 315 | 315 | G1/2A | G1/4 | 26 | | 24.0 | 14 | 17.0 | 27 | A | FT-RI 1/2 X 1/4 | 5.8 | |
| | | G1/2A | G3/8 | 26 | 12 | 36.0 | 14 | 17.0 | 27 | B | FT-RI 1/2 X 3/8 | 9.4 | |
| | | G1/2A | G3/4 | 26 | 12 | 46.0 | 14 | 22.0 | 36 | B | FT-RI 1/2 X 3/4 | 18.9 | |
| | | G1/2A | G1 | 26 | 12 | 49.0 | 14 | 24.5 | 41 | B | FT-RI 1/2 X 1 | 22.9 | |
| 160 | 160 | G1/2A | G1 1/4 | 26 | 10 | 53.0 | 14 | 26.5 | 55 | B | FT-RI 1/2 X 1 1/4 | 49.3 | |
| 315 | 315 | G3/4A | G1/4 | 32 | | 26.0 | 16 | 17.0 | 32 | A | FT-RI 3/4 X 1/4 | 10.5 | |
| | | G3/4A | G3/8 | 32 | | 26.0 | 16 | 17.0 | 32 | A | FT-RI 3/4 X 3/8 | 8.9 | |
| | | G3/4A | G1/2 | 32 | 16 | 41.0 | 16 | 20.0 | 32 | B | FT-RI 3/4 X 1/2 | 14.9 | |
| | | G3/4A | G1 | 32 | 16 | 51.0 | 16 | 24.5 | 41 | B | FT-RI 3/4 X 1 | 24.4 | |

*Replace the character "C" with "CF" when you require steel!
C = Stainless Steel, 1.4571 CF = Galvanized Steel Cr(VI)-free

Accreditations

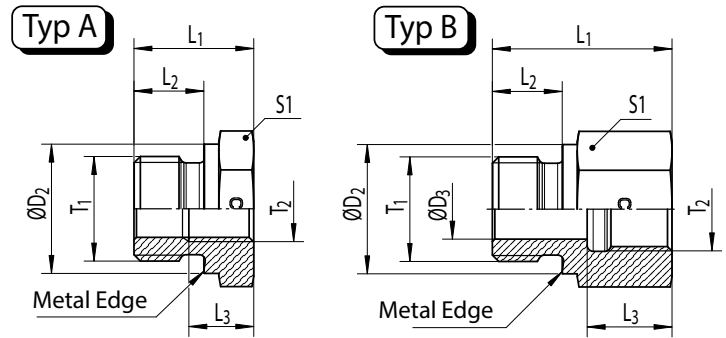


FT-RI

Reducing/Expanding Male Stud Connectors with Inside Thread



Male BSPP thread with metal sealing edge (ISO 1179, Type B) / female BSPP thread (DIN 3852-2 / ISO 1179-1).



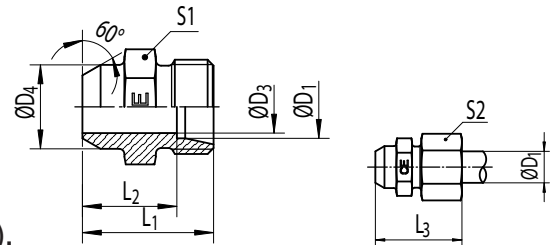
| PN [bar] | C | | T ₁ | T ₂ | ØD ₂ [mm] | ØD ₃ [mm] | L ₁ [mm] | L ₂ [mm] | L ₃ [mm] | S ₁ [mm] | Type | Ordering Code * | kg/100 |
|----------|-----|----|----------------|----------------|----------------------|----------------------|---------------------|---------------------|---------------------|---------------------|------|---------------------|--------|
| | | CF | | | | | | | | | | | |
| 160 | 160 | | G3/4A | G1 1/4 | 32 | 16 | 55 | 16 | 26.5 | 55 | B | FT-RI 3/4 X 1 1/4 | 49.9 |
| | | | G3/4A | G1 1/2 | 32 | 16 | 57 | 16 | 28.5 | 60 | B | FT-RI 3/4 X 1 1/2 | 57.7 |
| 315 | 315 | | G1A | G1/4 | 39 | | 29 | 18 | 17.0 | 41 | A | FT-RI 1 X 1/4 | 20.1 |
| | | | G1A | G3/8 | 39 | | 29 | 18 | 17.0 | 41 | A | FT-RI 1 X 3/8 | 18.3 |
| | | | G1A | G1/2 | 39 | | 29 | 18 | 20.0 | 41 | A | FT-RI 1 X 1/2 | 15.8 |
| | | | G1A | G3/4 | 39 | 20 | 47 | 18 | 22.0 | 41 | B | FT-RI 1 X 3/4 | 28.0 |
| 160 | 160 | | G1A | G1 1/4 | 39 | 20 | 57 | 18 | 26.5 | 55 | B | FT-RI 1 X 1 1/4 | 52.4 |
| | | | G1A | G1 1/2 | 39 | 20 | 59 | 18 | 28.5 | 60 | B | FT-RI 1 X 1 1/2 | 60.2 |
| | | | G1 1/4A | G3/8 | 49 | | 32 | 20 | 17.0 | 50 | A | FT-RI 1 1/4 X 3/8 | 34.5 |
| | | | G1 1/4A | G1/2 | 49 | | 32 | 20 | 20.0 | 50 | A | FT-RI 1 1/4 X 1/2 | 31.8 |
| | | | G1 1/4A | G3/4 | 49 | | 32 | 20 | 22.0 | 50 | A | FT-RI 1 1/4 X 3/4 | 27.0 |
| | | | G1 1/4A | G1 | 49 | 25 | 52 | 20 | 24.5 | 50 | B | FT-RI 1 1/4 X 1 | 46.7 |
| | | | G1 1/4A | G1 1/2 | 49 | 25 | 60 | 20 | 28.5 | 60 | B | FT-RI 1 1/4 X 1 1/2 | 63.5 |
| | | | G1 1/2A | G1/4 | 55 | | 36 | 22 | 17.0 | 55 | A | FT-RI 1 1/2 X 1/4 | 53.4 |
| | | | G1 1/2A | G3/8 | 55 | | 36 | 22 | 17.0 | 55 | A | FT-RI 1 1/2 X 3/8 | 51.3 |
| | | | G1 1/2A | G1/2 | 55 | | 36 | 22 | 20.0 | 55 | A | FT-RI 1 1/2 X 1/2 | 48.3 |
| | | | G1 1/2A | G3/4 | 55 | | 36 | 22 | 22.0 | 55 | A | FT-RI 1 1/2 X 3/4 | 42.8 |
| | | | G1 1/2A | G1 | 55 | | 36 | 22 | 24.5 | 55 | A | FT-RI 1 1/2 X 1 | 34.7 |
| | | | G1 1/2A | G1 1/4 | 55 | 32 | 58 | 22 | 26.5 | 55 | B | FT-RI 1 1/2 X 1 1/4 | 54.4 |
| | | | G2A | G1 1/2 | 68 | 40 | 62 | 24 | 28.5 | 70 | B | FT-RI 2 X 1 1/2 | 102.1 |

*Replace the character "C" with "CF" when you require steel!
C = Stainless Steel, 1.4571 CF = Galvanized Steel Cr(VI)-free

Accreditations



S-AS Weld Fitting



Weld connection / 24° tube connection (DIN EN ISO 8434-1).

| Series | PN [bar] | | ØD ₁ [mm] | ØD ₃ [mm] | ØD ₄ [mm] | L ₁ [mm] | L ₂ [mm] | L ₃ [mm] | S1 [mm] | S2 [mm] | Ordering Code* | kg/ 100 |
|--------|----------|-----|-------------------------|-------------------------|-------------------------|------------------------|------------------------|------------------------|------------|------------|------------------|------------|
| | C | CF | | | | | | | | | | |
| L | 315 | 315 | 6 | 4 | 10 | 21 | 14.0 | 29 | 12 | 14 | S-AS 06 L | 1.1 |
| | | | 8 | 6 | 12 | 23 | 16.0 | 31 | 14 | 17 | S-AS 08 L | 1.6 |
| | | | 10 | 8 | 14 | 25 | 18.0 | 33 | 17 | 19 | S-AS 10 L | 2.3 |
| | | | 12 | 10 | 16 | 25 | 18.0 | 33 | 19 | 22 | S-AS 12 L | 2.7 |
| | | | 15 | 12 | 19 | 29 | 22.0 | 37 | 22 | 27 | S-AS 15 L | 4.5 |
| | | | 18 | 15 | 22 | 31 | 23.5 | 40 | 27 | 32 | S-AS 18 L | 6.9 |
| | 160 | 160 | 22 | 19 | 27 | 36 | 28.5 | 45 | 32 | 36 | S-AS 22 L | 10.2 |
| | | | 28 | 24 | 32 | 38 | 30.5 | 47 | 41 | 41 | S-AS 28 L | 16.5 |
| | | | 35 | 30 | 40 | 43 | 32.5 | 54 | 46 | 50 | S-AS 35 L | 24.0 |
| | | | 42 | 36 | 46 | 46 | 35.0 | 58 | 55 | 60 | S-AS 42 L | 33.7 |
| S | 630 | 630 | 6 | 4 | 11 | 26 | 19.0 | 34 | 14 | 17 | S-AS 06 S | 2.2 |
| | | | 8 | 5 | 13 | 28 | 21.0 | 36 | 17 | 19 | S-AS 08 S | 3.3 |
| | | | 10 | 7 | 15 | 30 | 22.5 | 39 | 19 | 22 | S-AS 10 S | 4.2 |
| | | | 12 | 8 | 17 | 32 | 24.5 | 41 | 22 | 24 | S-AS 12 S | 5.7 |
| | | | 14 | 10 | 19 | 35 | 27.0 | 45 | 24 | 27 | S-AS 14 S | 7.3 |
| | 400 | 400 | 16 | 12 | 21 | 35 | 26.5 | 45 | 27 | 30 | S-AS 16 S | 8.6 |
| | | | 20 | 16 | 26 | 40 | 29.5 | 51 | 32 | 36 | S-AS 20 S | 13.3 |
| | | | 25 | 20 | 31 | 44 | 32.0 | 56 | 41 | 46 | S-AS 25 S | 22.6 |
| | | | 30 | 25 | 36 | 49 | 35.5 | 62 | 46 | 50 | S-AS 30 S | 30.4 |
| | 250 | 315 | 38 | 32 | 44 | 54 | 38.0 | 69 | 55 | 60 | S-AS 38 S | 46.2 |

*Replace the character "C" with "CF" when you require steel!
C = Stainless Steel, 1.4571 CF = Galvanized Steel Phosphate Conversion Coating

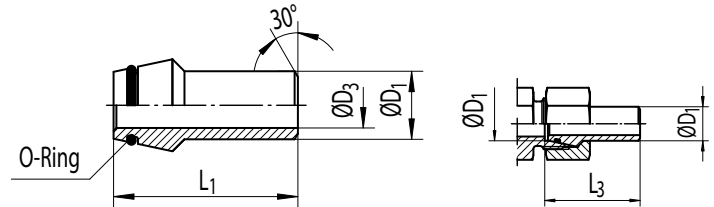
Accreditations



S-SKA 24° Welding Cone



Weld connection / 24° weld nipple
(DIN EN ISO 8434-1).



| Series | PN [bar] | | ØD ₁ [mm] | ØD ₃ [mm] | L ₁ [mm] | L ₃ [mm] | Ordering Code* | kg/100 |
|--------|----------|-----|----------------------|----------------------|---------------------|---------------------|----------------|--------|
| | C | CF | | | | | | |
| L/S | 400 | 400 | 6 | 3 | 31.0 | 32.0 | S-SKA 06 X 1,5 | 0.7 |
| | 400 | 400 | 8 | 5 | 31.0 | 32.0 | S-SKA 08 X 1.5 | 0.9 |
| | 500 | 500 | 8 | 4 | 31.0 | 32.0 | S-SKA 08 X 2 | 1.1 |
| | 315 | 315 | 10 | 7 | 32.5 | 33.5 | S-SKA 10 X 1.5 | 1.3 |
| | 400 | 400 | 10 | 6 | 32.5 | 33.5 | S-SKA 10 X 2 | 1.6 |
| | 315 | 315 | 12 | 8 | 32.5 | 33.5 | S-SKA 12 X 2 | 1.9 |
| | 400 | 400 | 12 | 7 | 32.5 | 33.5 | S-SKA 12 X 2.5 | 2.2 |
| L | 315 | 315 | 15 | 10 | 34.5 | 35.5 | S-SKA 15 X 2.5 | 3.0 |
| | 315 | 315 | 18 | 13 | 36.0 | 37.5 | S-SKA 18 X 2.5 | 3.8 |
| | 160 | 160 | 22 | 17 | 38.5 | 40.0 | S-SKA 22 X 2.5 | 5.3 |
| | 160 | 160 | 28 | 23 | 41.5 | 43.0 | S-SKA 28 X 2.5 | 7.4 |
| | 160 | 160 | 28 | 22 | 41.5 | 43.0 | S-SKA 28 X 3 | 8.4 |
| | 160 | 160 | 35 | 29 | 47.5 | 50.0 | S-SKA 35 X 3 | 12.7 |
| | 160 | 160 | 35 | 28 | 47.5 | 50.0 | S-SKA 35 X 3.5 | 14.3 |
| | 160 | 160 | 35 | 27 | 47.5 | 50.0 | S-SKA 35 X 4 | 15.9 |
| | 160 | 160 | 42 | 36 | 47.5 | 50.5 | S-SKA 42 X 3 | 15.4 |
| | 160 | 160 | 42 | 34 | 47.5 | 50.5 | S-SKA 42 X 4 | 19.5 |
| S | 400 | 400 | 14 | 8 | 38.5 | 40.0 | S-SKA 14 X 3 | 3.4 |
| | 315 | 315 | 16 | 11 | 39.0 | 41.0 | S-SKA 16 X 2.5 | 3.6 |
| | 400 | 400 | 16 | 10 | 39.0 | 41.0 | S-SKA 16 X 3 | 4.1 |
| | 315 | 315 | 20 | 14 | 45.0 | 47.5 | S-SKA 20 X 3 | 6.5 |
| | 400 | 400 | 20 | 13 | 45.0 | 47.5 | S-SKA 20 X 3.5 | 7.2 |
| | 400 | 400 | 20 | 12 | 45.0 | 47.5 | S-SKA 20 X 4 | 7.9 |
| | 250 | 250 | 25 | 19 | 49.5 | 53.5 | S-SKA 25 X 3 | 9.0 |
| | 315 | 315 | 25 | 18 | 49.5 | 53.5 | S-SKA 25 X 3.5 | 10.1 |
| | 350 | 350 | 25 | 17 | 49.5 | 53.5 | S-SKA 25 X 4 | 11.1 |
| | 400 | 400 | 25 | 15 | 49.5 | 53.5 | S-SKA 25 X 5 | 13.0 |
| | 250 | 250 | 30 | 24 | 52.0 | 57.5 | S-SKA 30 X 3 | 11.6 |
| | 315 | 315 | 30 | 22 | 52.0 | 57.5 | S-SKA 30 X 4 | 14.5 |
| | 350 | 350 | 30 | 20 | 52.0 | 57.5 | S-SKA 30 X 5 | 17.1 |
| | 400 | 400 | 30 | 18 | 52.0 | 57.5 | S-SKA 30 X 6 | 19.4 |
| | 160 | 160 | 38 | 32 | 56.5 | 64.5 | S-SKA 38 X 3 | 16.3 |
| | 250 | 250 | 38 | 30 | 56.5 | 64.5 | S-SKA 38 X 4 | 20.5 |
| | 315 | 315 | 38 | 28 | 56.5 | 64.5 | S-SKA 38 X 5 | 24.4 |
| | 315 | 315 | 38 | 26 | 56.5 | 64.5 | S-SKA 38 X 6 | 28.0 |
| | 315 | 315 | 38 | 24 | 56.5 | 64.5 | S-SKA 38 X 7 | 31.3 |

*Replace the character "C" with "CF" when you require steel!
C = Stainless Steel, 1.4571 (Seal FKM) **CF** = Galvanized Steel Phosphate Conversion Coating (Seal NBR)

Accreditations

