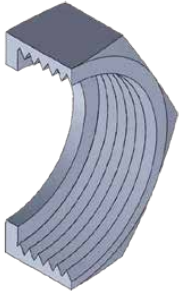


# BS Type, 316L Hygienic Pipe Fittings

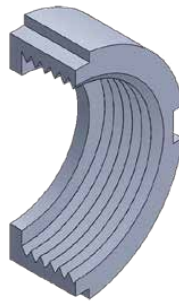


## RJT (B5) Unions

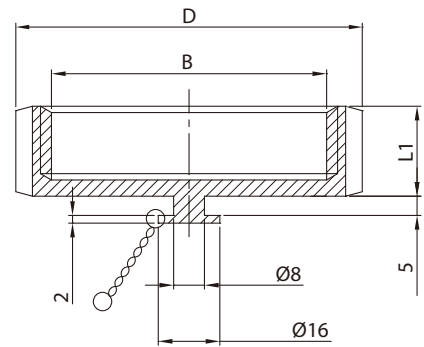
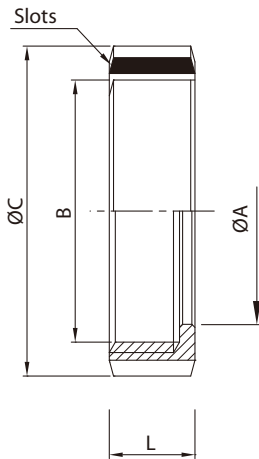
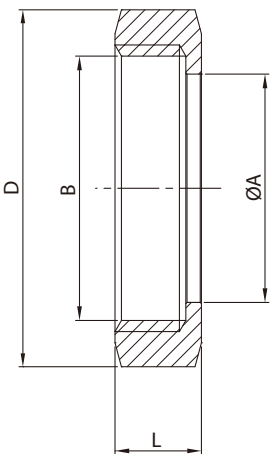
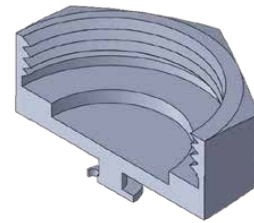
**RJT-13H**  
Hex. Nut



**RJT-13R**  
Rount Nut



**RJT-13HBN**  
Hex. Blank Nut



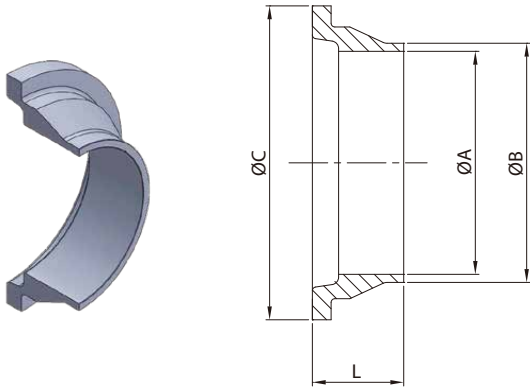
### RJT-13 NUT

SIZE	ØA	B	ØC	D	L	L1	SLOTS
1/2"	14.5	19.6 *10TP WHIT	—	28.5	16	—	—
3/4"	21	26.2 *10TP WHIT	—	33	16	—	—
1"	33.45	42.266*8TP WHIT	58.5	50.8	22.2	23.5	4
1.5"	46	54.966*8TP WHIT	74	65	22.2	23.5	4
2"	58.67	67.92 *6TP WHIT	85.5	79.4	22.2	23.5	6
2.5"	71.4	80.62 *6TP WHIT	98.5	92	22.2	23.5	6
3"	84.1	93.32 *6TP WHIT	111.6	104.8	22.2	23.5	8
4"	109.7	118.72*6TP WHIT	138	130	22.2	23.5	8
6"	163	169.52*6TP WHIT	197	184	24	—	10

# BS Type, 316L Hygienic Pipe Fittings

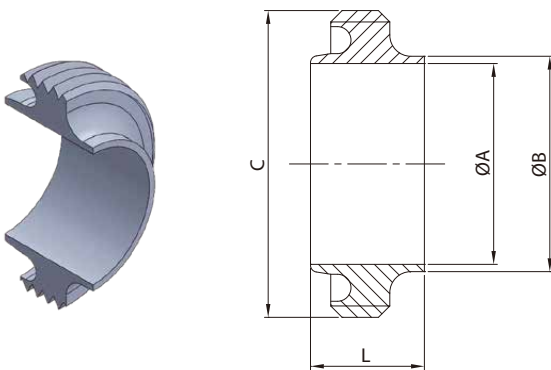


## RJT (B5) Unions



### RJT-14 WELDING LINER

SIZE	ØA	ØB	ØC	L
1/2"	9.6	14	18	11.4
3/4"	16	20	23.1	11.4
1"	22.1	25.4	41.3	19.5
1.5"	34.8	38.1	54	19.5
2"	47.5	50.8	66.7	19.5
2.5"	60.2	63.5	79.4	19.5
3"	72.9	76.2	92.1	19.5
4"	97.6	101.6	117.5	19.5
6"	146.86	152.4	169.1	23.5



### RJT-15 WELDING MALE

SIZE	ØA	ØB	C	L
1/2"	9.6	13.7	21.2 *10TP WHIT	16.5
3/4"	16	20	27.6 *10TP WHIT	16.5
1"	22.1	25.4	45.72 *8TP WHIT	27
1.5"	34.8	38.1	58.42 *8TP WHIT	27
2"	47.5	50.8	72.72 *6TP WHIT	27
2.5"	60.2	63.5	85.42 *6TP WHIT	27
3"	72.9	76.2	98.12 *6TP WHIT	27
4"	97.6	101.6	123.52*6TP WHIT	27
104	100	104	123.52*6TP WHIT	27
6"	146.86	152.4	174.32*6TP WHIT	24

### O-Ring

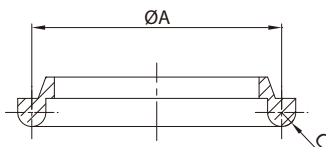
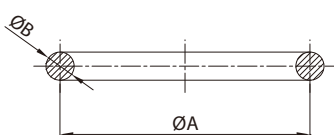


### U Type

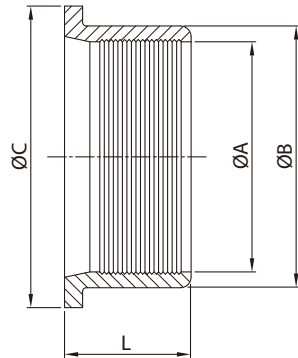


### RJT-SEAL RING (EPDM/SILICON VITON(FKM))

SIZE	ØA	ØB	ØC
1"	33.3	6.6	R 3.2
1.5"	46	6.6	R 3.2
2"	58.7	6.6	R 3.2
2.5"	71.4	6.6	R 3.2
3"	84.1	6.6	R 3.2
4"	109.5	6.6	R 3.2
6"	162.6	6.6	R 3.2

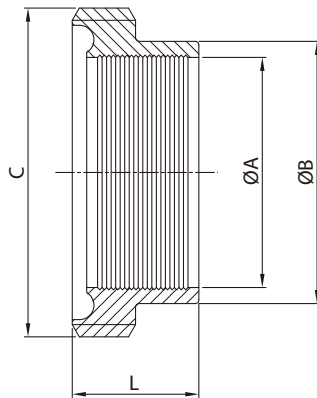
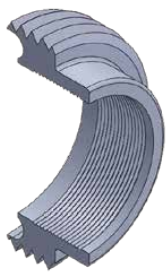


## RJT (B5) Unions



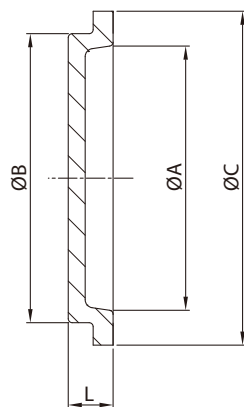
### RJT-14R EXPANDING LINER

SIZE	ØA	ØB	ØC	L
1"	22.5	32.5	41.3	20
1.5"	38.2	45.2	54	24
2"	50.9	57.9	66.7	28
2.5"	63.6	70.6	79.4	32
3"	76.3	83.3	92.1	32
4"	101.7	108.7	117.5	32



### RJT-15R EXPANDING MALE

SIZE	ØA	ØB	C	L
1"	22.5	32.5	45.72 *8TP WHIT	20
1.5"	38.2	45.2	58.42 *8TP WHIT	24
2"	50.9	57.9	72.72 *6TP WHIT	28
2.5"	63.6	70.6	85.42 *6TP WHIT	32
3"	76.3	83.3	98.12 *6TP WHIT	32
4"	101.7	108.7	123.52*6TP WHIT	32



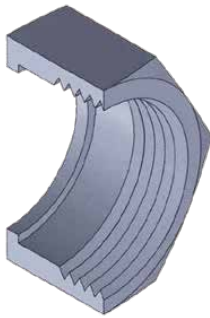
### RJT-14B BLANK END CAP

SIZE	ØA	ØB	ØC	L
1"	37.8	32.5	41.3	9
1.5"	40.5	45.2	54	9
2"	53.2	57.9	66.7	9
2.5"	65.9	70.6	79.4	9
3"	78.2	83.3	92.1	9
4"/104	104	108.7	117.5	9

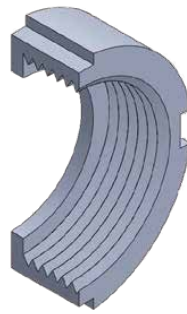
# BS Type, 316L Hygienic Pipe Fittings

## IDF/JIS G3447 Unions

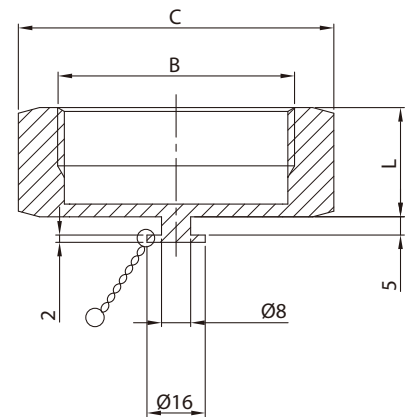
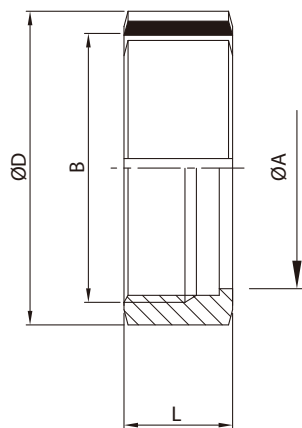
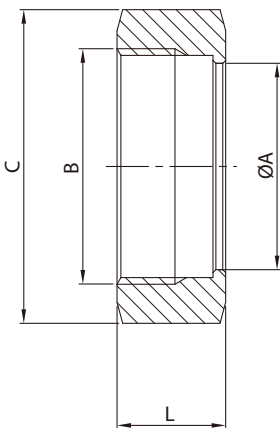
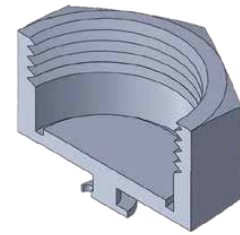
IDF-13H



IDF-13R



IDF-13HBN



### IDF-13 NUT

	SIZE	ØA	B	C	ØD	L
	1"	30.5	34.34*8T ACME	46	48	30
	1.5"	43.5	47.86*8T ACME	60	64	30
	2"	57	61.37*8T ACME	75	77	30
	2.5"	70.7	74.88*8T ACME	90	91	30
R	3"	83.3	84.4 *8T ACME	106	106	30
H	3"	83.3	84.4 *8T ACME	105	105	30
R	4"	112	115.41*8T ACME	135	135	34.9
H	4"	112	122.05*6T ACME	133	133	34.9