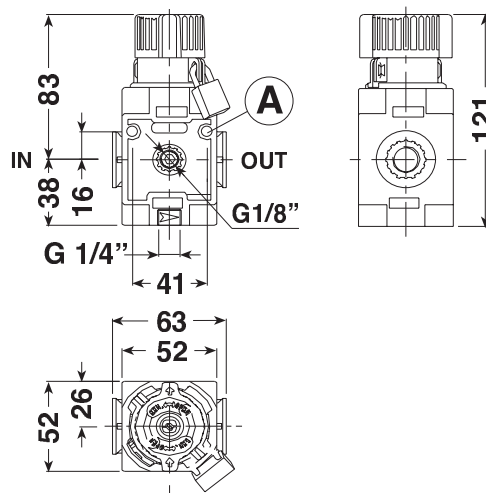


3 Way on-off valve

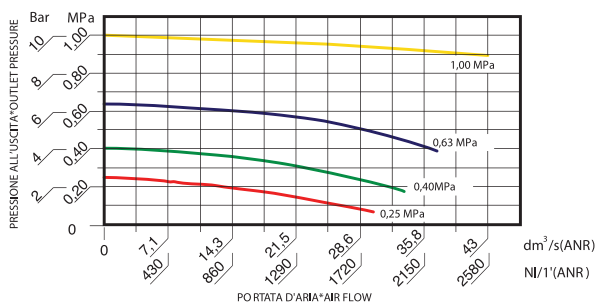
050 3/8" - 052 1/2"



A FORI DI FISSAGGIO Ø 5.5
FIXING HOLES Ø 5.5



CURVE DI PORTATA *FLOW CHARTS



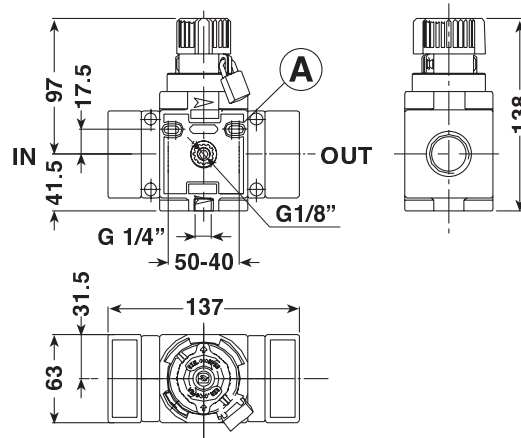
3 way on-off valve with lock

- * Used to shut off the air supply while relieving the downstream circuit.
- * The block device is particularly useful during maintenance operations. It prevents the system from being accidentally or wrongly pressurized.
- * It can be wall mounted using the relative holes.
- * Discharge connection: G1/4".
- * Maximum inlet pressure: 12,5 Bar (1,25 MPa).
- * Max. ambient temperature (at 10 bar) 50 °C (122 °F).
- * The device is equipped with 1 lock.
- * Max. torque inserts G3/8" IN-OUT: 60 N-m.
- * Max. torque inserts G1/2" IN-OUT: 80 N-m.
- * Reference flow rate (P=10 Bar - Δp=1 Bar): 2580 NI/min.
- * Weight: 0,270 Kg.
- * Product complies with Directive 2002/95/CE (RoHS).

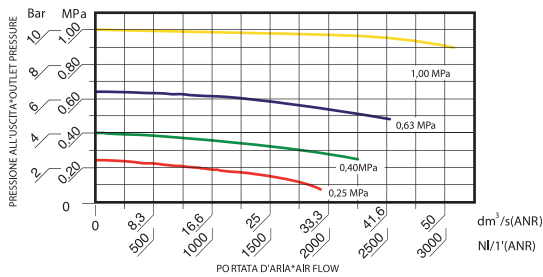
3 Way on-off valve 080 3/4"



A FORI DI FISSAGGIO Ø 5.5
FIXING HOLES Ø 5.5



CURVE DI PORTATA *FLOW CHARTS



3 ways on-off valve with lock

- * Used to shut off the air supply while relieving the downstream circuit.
- * The block device is particularly useful during maintenance operations. It prevents the system from being accidentally or wrongly pressurized.
- * It can be wall mounted using the relative holes.
- * Discharge connection: G1/4".
- * Maximum inlet pressure: 12,5 Bar (1,25 MPa).
- * Max. ambient temperature (at 10 bar) 50°C (122°F).
- * The device is equipped with 1 lock.
- * Max. torque inserts G3/4" IN-OUT: 80 N-m.
- * Reference flow rate (P=10 Bar - Δp=1 Bar): 3075 NI/min.
- * Weight: 0,690 Kg.
- * Product complies with Directive 2002/95/CE (RoHS).