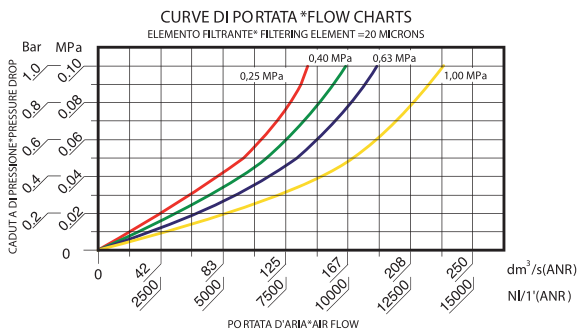
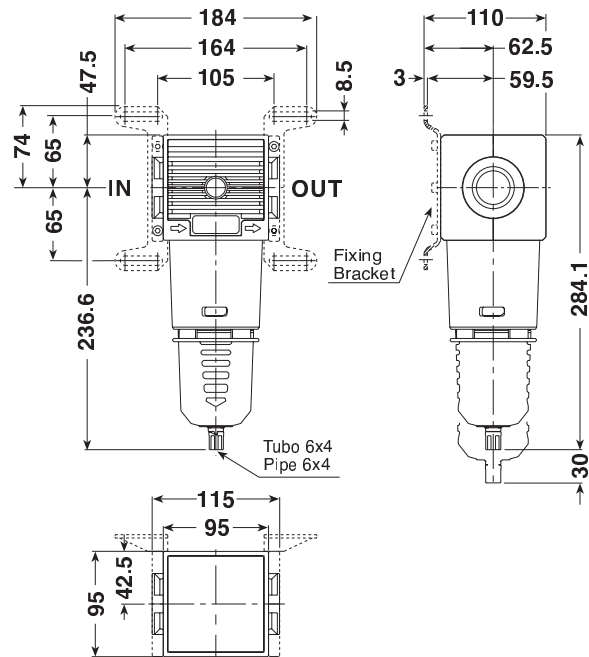


Filter

095 1"

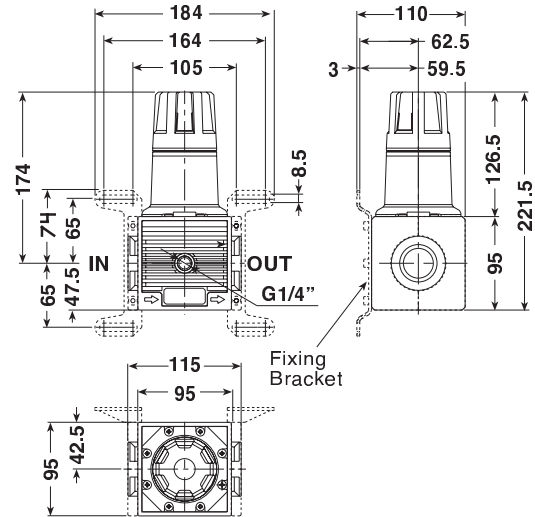


Filter

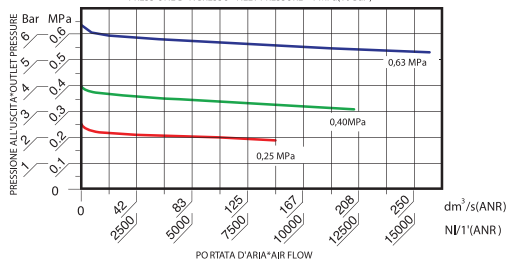
- * High condensate separation level.
- * Low pressure drop.
- * Can be wall mounted using the relative brackets.
- * Quick bowl connection by means of safety ring mechanism.
- * Filtering degree: 5 micron and 20 micron (standard).
- * Integrated manual and semiautomatic condensate drainage (SS) or "SA" and "SAD" automatic versions.
- * Bowl in toughened polyamide with outer bowl guard.
- * Collected quantity of condensate: 200 cc.
- * Maximum operating pressure: 12,5 Bar (1,25 MPa).
- * Max. ambient temperature (at 10 bar) 50 °C (122 °F).
- * Max. torque inserts G1" IN-OUT: 80 N-m.
- * Reference flow rate (P=10 Bar - Δp=1 Bar): 13800 NI/min.
- * Weight: 1,212 Kg.
- * Product complies with Directive 2002/95/CE (RoHS).

Regulator

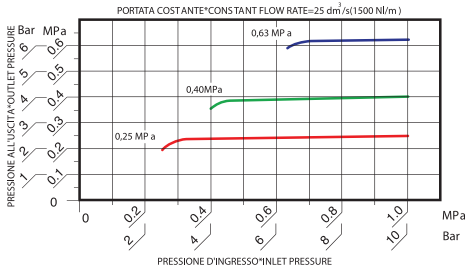
095 1"



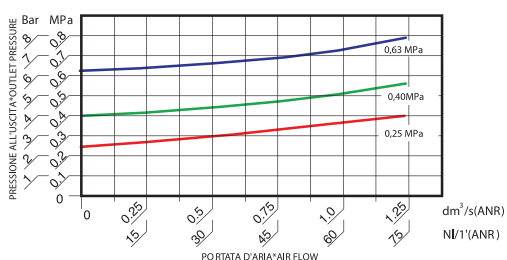
CURVE DI PORTATA *FLOW CHARTS
PRESSIONE D'INGRESSO*INLET PRESSURE = 1 MPa(10 Bar)



CARATTERISTICHE DI REGOLAZIONE*REGULATION FEATURES



CARATTERISTICHE DEL RELIEVING*RELIEVING PERFORMANCES

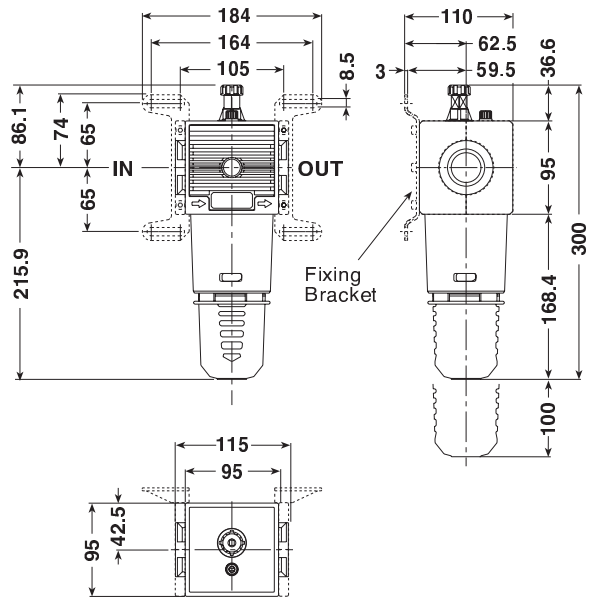


Regulator

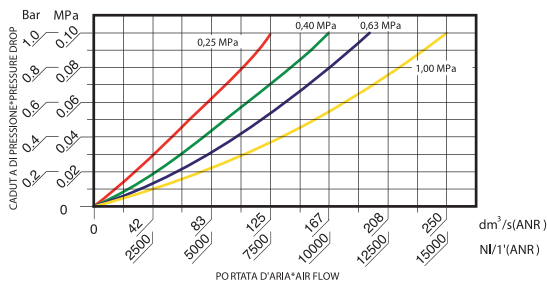
- * Rolling diaphragm.
- * The set pressure is kept stable regardless of upstream variations.
- * High flow rate with low load losses.
- * Downstream overpressure quickly eliminated through relieving.
- * Lockable safety knob.
- * Can be wall mounted using the relative brackets.
- * Pressure ranges:
0÷4 Bar, 0÷8 Bar (standard), 0÷12,5 Bar
0÷0,4 MPa, 0÷0,8 MPa (standard), 0÷1,25 MPa
- * Maximum inlet pressure: 12,5 Bar (1,25 MPa).
- * Max. ambient temperature (at 10 bar) 50 °C (122 °F).
- * Max. torque inserts G1" IN-OUT: 80 N.m.
- * Reference flow rate (P=6,3 Bar - Δp=1 Bar): 15000 NI/min.
- * Weight: 1,721 Kg.
- * Product complies with Directive 2002/95/CE (RoHS).
- * Max torque gouge port: 10 Nm.

Lubricator

095 1"



CURVE DI PORTATA *FLOW CHARTS



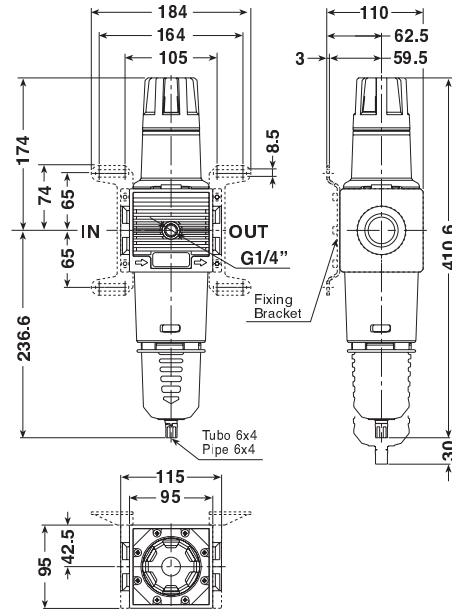
Lubricator

Proportional oil mist type.

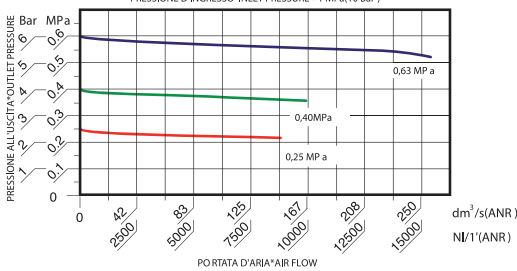
- * Constantly steady delivery.
- * Suction ensured even at low flow rates.
- * Sensitive lubricant flow regulation.
- * 360° drip display.
- * Oil fill plug.
- * Quick bowl connection by means of safety ring mechanism.
- * Can be wall mounted using the relative brackets.
- * Bowl in toughened polyamide with outer bowl guard.
- * Bowl capacity: 440 cc.
- * Recommended oil viscosity ISO VG32.
- * Maximum operating pressure: 12,5 Bar (1,25 MPa).
- * Max. ambient temperature (at 10 bar) 50 °C (122 °F).
- * Max. torque inserts G1" IN-OUT: 80 N-m.
- * Reference flow rate (P=10 Bar - Δp=1 Bar): 15000 NI/min.
- * Weight: 1,194 Kg.
- * Product complies with Directive 2002/95/CE (RoHS).

Filter Regulator

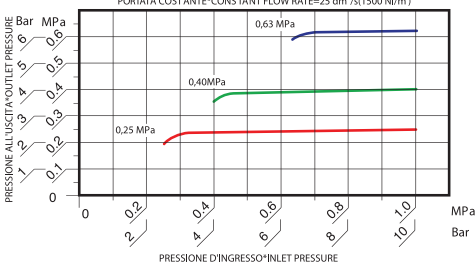
095 1"



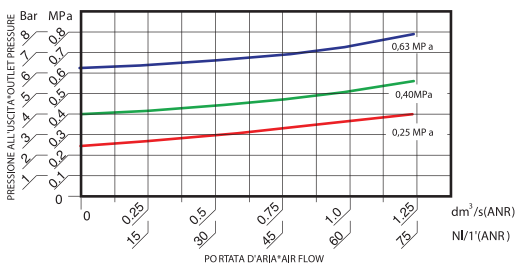
CURVE DI PORTATA *FLOW CHARTS
PRESSIONE D'INGRESSO*INLET PRESSURE = 1 MPa(10 Bar)



CARATTERISTICHE DI REGOLAZIONE*REGULATION FEATURES
PORTATA COSTANTE*CONSTANT FLOW RATE=25 dm³/s(1500 NI/m)



CARATTERISTICHE DEL RELIEVING*RELIEVING PERFORMANCES



Filter regulator

- * Rolling diaphragm.
- * The set pressure is kept stable regardless of upstream variations.
- * Built-in overpressure relieving function.
- * Lockable safety knob.
- * High condensate separation level.
- * Bowl in toughened polyamide with outer bowl guard and quick connect means of safety ring mechanism.
- * Can be wall mounted using the relative brackets.
- * Pressure ranges: 0÷4 Bar, 0÷8 Bar (standard), 0÷12,5 Bar 0÷0,4 MPa, 0÷0,8 MPa (standard), 0÷1,25 MPa
- * Filtering degree: 5 micron and 20 micron (standard).
- * Manual and semiautomatic condensate drainage in the integrated (SS) and "SAD" automatic versions.
- * Collected quantity of condensate: 200 cc.
- * Maximum operating pressure: 12,5 Bar (1,25 MPa).
- * Max. ambient temperature (at 10 bar) 50°C (122°F).
- * Max. torque inserts G1" IN-OUT: 80 N·m.
- * Reference flow rate (P=6,3 Bar - Δp=1 Bar): 13800 NI/min.
- * Weight: 2,060 Kg.
- * Product complies with Directive 2002/95/CE (RoHS).
- * Max torque gouge port: 10 Nm.