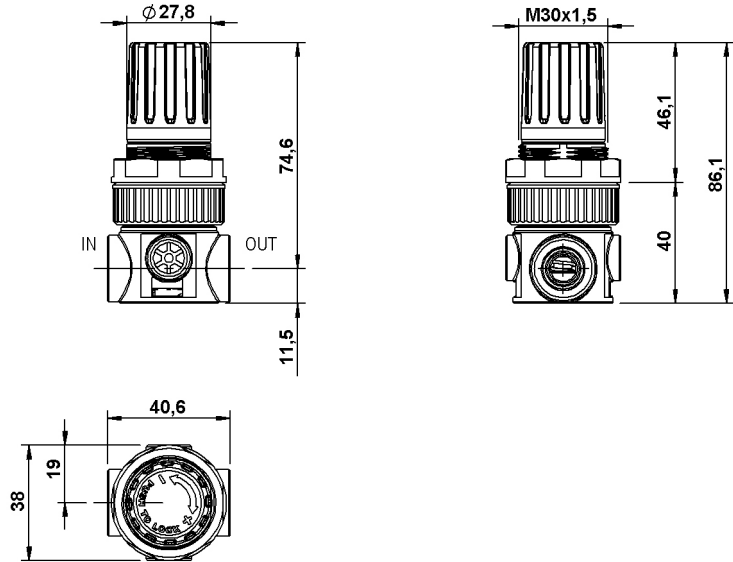
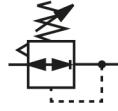


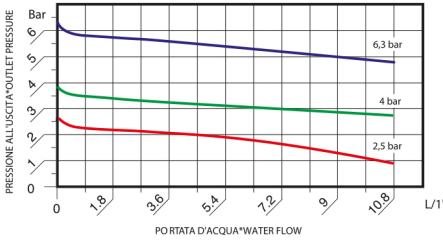
Microregulator

039 1/8"-1/4"



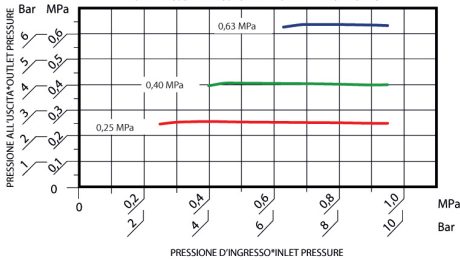
CURVE DI PORTATA*FLOW CHARTS

PRESSIONE D'INGRESSO*INLET PRESSURE = 8 Bar

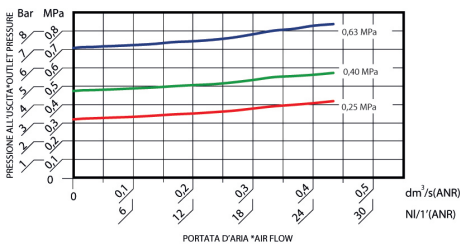


CARATTERISTICHE DI REGOLAZIONE*REGULATION FEATURES

PORTATA COSTANTE*CONSTANT FLOW RATE = 15-22-34 NI/1'



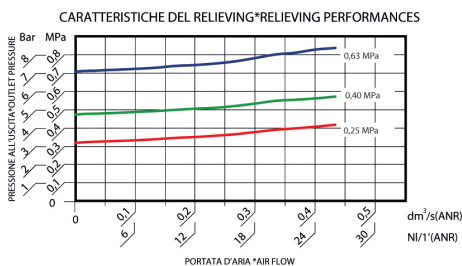
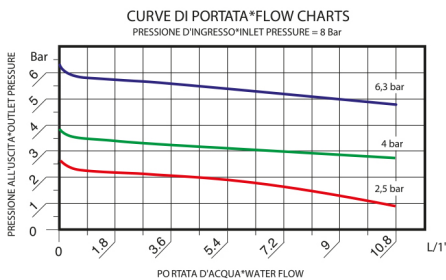
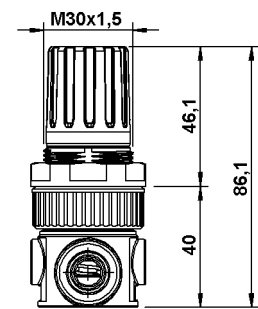
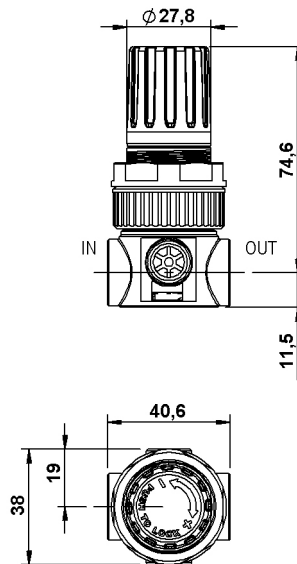
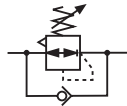
CARATTERISTICHE DEL RELIEVING*RELIEVING PERFORMANCES



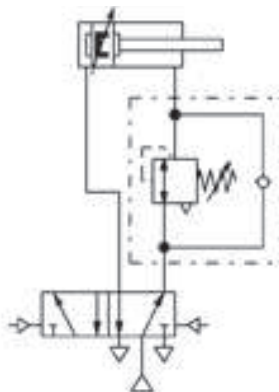
Sensitive high performance model, high stability with low load losses and big flow rate.

- Downstream overpressures quickly eliminated.
- Can be wall mounted with ring nut for panel assembling or, on request, with bracket.
- Usable on version for air (with relieving and red knob) or for water (without relieving and black knob).
- Lockable safety knob.
- Pressure ranges:
0÷2 Bar, 0÷4 Bar, 0÷8 Bar (standard), 0÷12,5 Bar
0÷0,2 MPa, 0÷0,4 MPa, 0÷0,8 MPa (standard), 0÷1,25 MPa
- Maximum inlet pressure: 16 Bar (1,60 MPa).
- Max. ambient temperature (at 10 bar) 50°C (122°F).
- Max. torque inserts G1/8" IN-OUT: 20 Nm.
- Max. torque inserts G1/4" IN-OUT: 25 Nm
- Max torque gauge port: 1 Nm.
- Reference flow rate (P=6,3 Bar - Δp =1 Bar): 900 NI/min.
- Weight: 0,100 Kg.
- Available version FA-RM: provided with a CONTROLLED AIR ESCAPE + IMPROVED RELIEVING which is able to achieve highly accurate pressure adjustment.
- Product complies with Directive 2002/95/CE (RoHS).

Quick exhaust Microregulator "SRU" 039 1/8"-1/4"

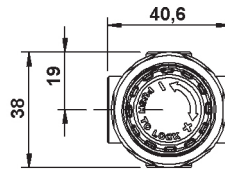
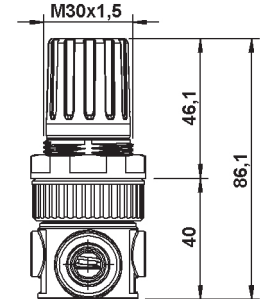
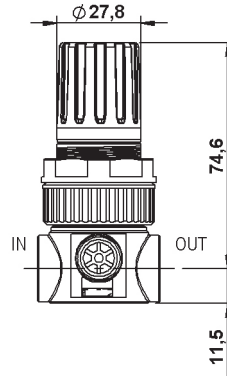


- Unidirectional Quick Exhaust "SRU" version is equipped with an internal unidirectional valve which allows quick exhaust of pressure during depressurization of the circuit.
- The most common application for SRU version consists in mounting this Microregulator between control valve and cylinder.
- The exhaust phase of the valve will not suffer load losses thanks to its passing through the unidirectional valve, thus guaranteeing speed and high performance.
- SRU version proposed with Line 039 joins the precision features and remarkable performance distinguishing this version.
- Further technical features: please see Line 039
- Product complies with Directive 2002/95/CE (RoHS)



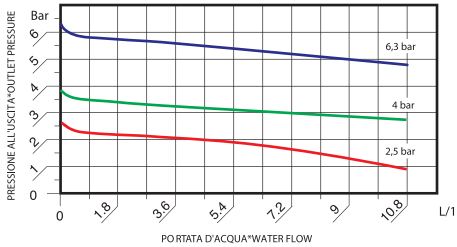
Stainless Steel Microregulator

039 1/8"-1/4"



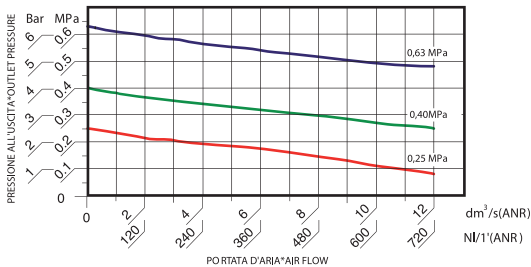
CURVE DI PORTATA *FLOW CHARTS

PRESSIONE D'INGRESSO*INLET PRESSURE = 8 Bar



CURVE DI PORTATA *FLOW CHARTS

PRESSIONE D'INGRESSO*INLET PRESSURE = 1 MPa(10 Bar)



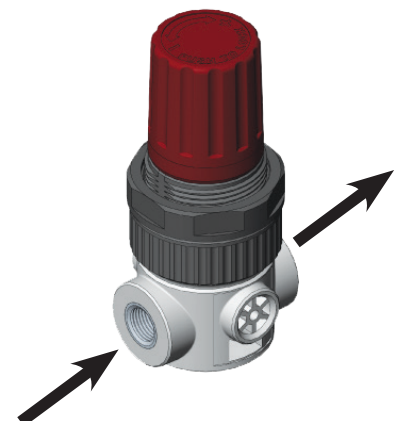
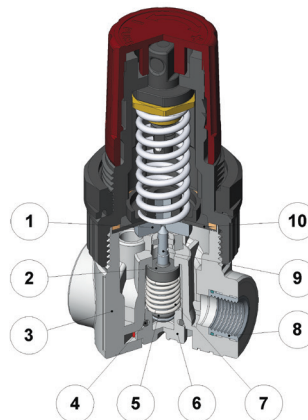
Microregulator INOX

- Microregulator designed for food sector applications, especially suggested for water pressure regulation.
- Fluid: air or water
- Balanced valve
- No relieving function
- Pressure range:
 - 0-1 Bar; 0-2 Bar, 0-4 Bar, 0-8 Bar 0-12,5 Bar
 - 0-0,1 Bar; 0-0,2 MPa, 0-0,4 MPa, 0-0,8 MPa, 0-1,25 MPa
- Max. ambient temperature (a 10Bar) 50°C (122 °F)
- Max Fluid temp.(cold drinking water): 23°C
- Max. torque inserts 1/8: IN-OUT 20 N.m
- Water Reference Flow rate (P= 4 Bar Dp=1 Bar): 6,75 l/min
- Air Reference flow rate (P= 6,3 Bar Dp=1 Bar) : 450 NI/min
- Weight: 0,100 Kg.
- Two ways body featuring Inlet and Outlet ports only, to avoid leakage from unused connections.

Components

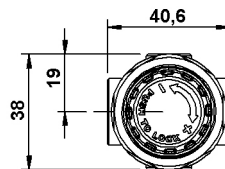
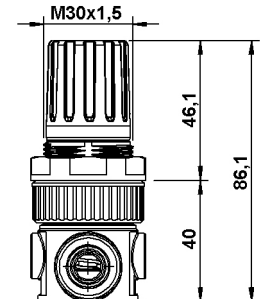
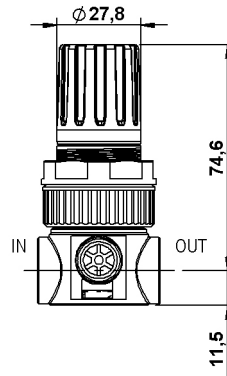
- 1) Diaphragm pin: S.S. AISI 316
- 2) Sealing valve: TPC-ET*
- 3) Regulator body: POM*
- 4) O-Ring plug: NBR*
- 5) O-Ring valve: NBR*
- 6) Plug: POM*
- 7) Valve spring: S.S. AISI 316
- 8) Inserts: S.S. AISI 316
- 9) Valve body: S.S. AISI 316
- 10) Diaphragm: EPDM + Nylon*

* All materials in contact with fluid are certified for food industry



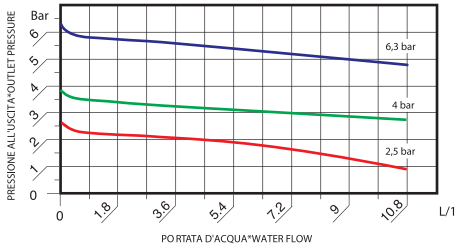
Microregulator POM

039 1/4"



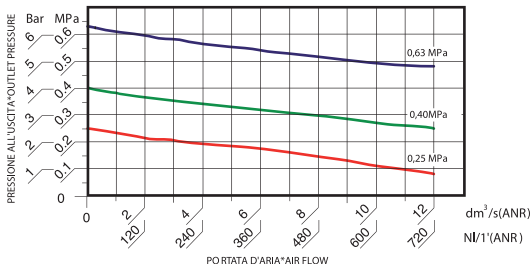
CURVE DI PORTATA *FLOW CHARTS

PRESSIONE D'INGRESSO *INLET PRESSURE = 8 Bar



CURVE DI PORTATA *FLOW CHARTS

PRESSIONE D'INGRESSO *INLET PRESSURE = 1 MPa (10 Bar)



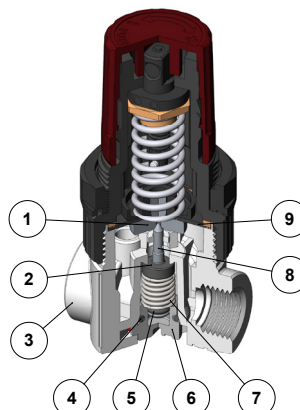
Microregulator POM

- Microregulator designed for food sector applications, especially suggested for water pressure regulation.
- Fluid: air or water
- Balanced valve
- No relieving function
- Pressure range:
 - 0-1 Bar; 0-2 Bar, 0-4 Bar, 0-8 Bar 0-12,5 Bar
 - 0-0,1 Bar; 0-0,2 MPa, 0-0,4 MPa, 0-0,8 MPa, 0-1,25 MPa
- Max. ambient temperature (a 10Bar) 50°C (122 °F)
- Max Fluid temp.(cold drinking water): 23°C
- Max. torque 1/4: 1 N.m
- Water Reference Flow rate (P= 4 Bar Dp=1 Bar): 6,75 l/min
- Air Reference flow rate (P= 6,3 Bar Dp=1 Bar) : 450 NI/min
- Weight: 0,100 Kg.
- Available with two ways or four ways body.
- **Brass components in contact with fluid undergo a chemical nickel-plating treatment that is NFS/ANSI51 certified.**

Components

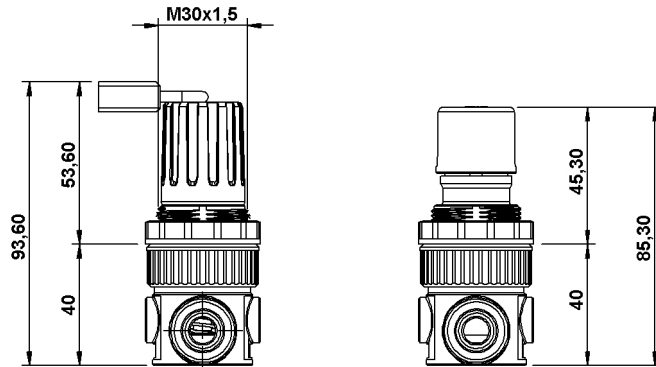
- 1) Diaphragm pin: brass + nickel plating (NSF51)
- 2) Sealing valve: TPC-ET*
- 3) Regulator body: POM*
- 4) O-Ring plug: NBR*
- 5) O-Ring valve: NBR*
- 6) Plug: POM*
- 7) Valve spring: S.S. AISI 316
- 8) Valve body: brass + nickel plating (NSF51)
- 9) Diaphragm: EPDM + Nylon*

• All materials in contact with fluid are certified for food industry

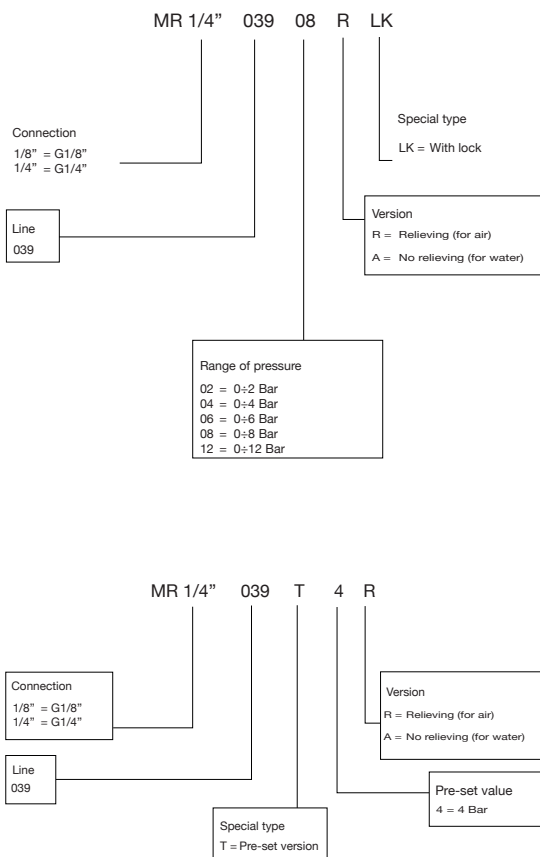


Special versions

039



Guide to references



Microregulator with lock

- All Aircomp Microregulators are available in the version with lock.
- This regulator version allows adjusting the required pressure and fix it, preventing accidental setting changes.
- The regulator is equipped with padlock and two keys.
- For further technical features, please refer to the respective Line, or contact our office.

Pre-set microregulator

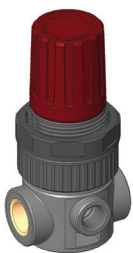
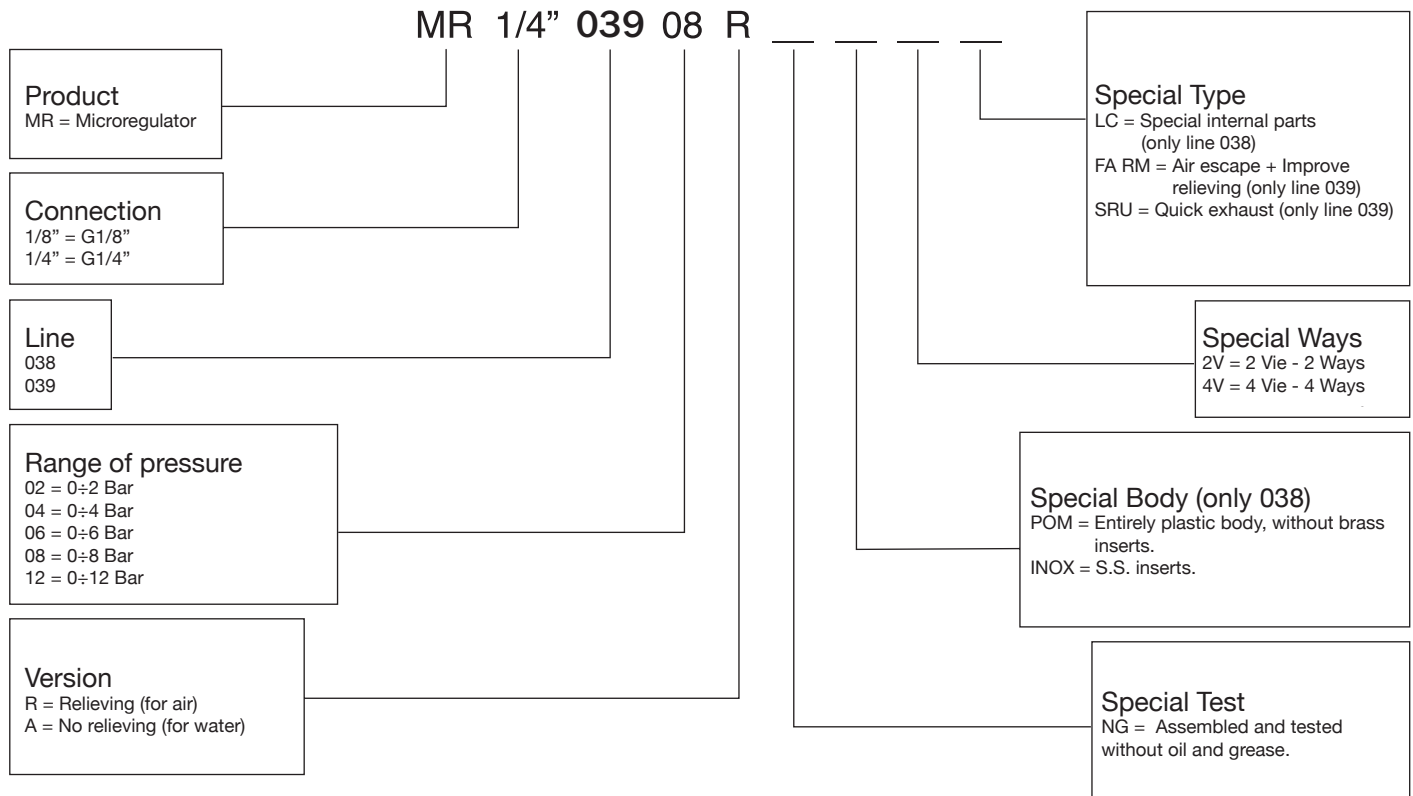
- Microregulators with outlet pressure pre-set by our production can be supplied upon request.
- With this version the Customer receives a pre-set Regulator featuring the required outlet pressure, equipped with tamper-proof knob.
- The tamper-proof knob enables keeping the pre-set outlet pressure, preventing unintentional pressure adjustments.
- In order to change the pre-set pressure, it is necessary to break the knob.
- Line recommended for pre-set version: Line 039, that keeps high precision on outlet pressure thanks to its own features.
- For further information about tolerance on outlet pressure, please contact our offices.

Order Code

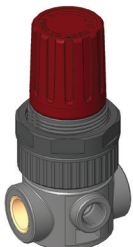
038 - 039



Guide to references



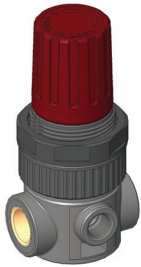
BSPP				
PART CODE	THREAD	COMPOUND GAUGE	DESCRIPTION	
039.00.02.R.1/8	1/8"	0-2	-	
039.00.04.R.1/8	1/8"	0-4	-	
039.00.08.R.1/8	1/8"	0-8	-	
039.00.12.R.1/8	1/8"	0-12	-	
039.00.02.R.1/4	1/4"	0-2	-	
039.00.04.R.1/4	1/4"	0-4	-	
039.00.08.R.1/4	1/4"	0-8	-	
039.00.12.R.1/4	1/4"	0-12	-	
039.00.08.R.1/4L	1/4"	0-8	Lockable	



BSPP, for Water	
PART CODE	THREAD
039.00.00203	1/8"
039.00.00603	1/4"

Order Code

038 - 039



Quick Exhaust SRU, 1/8" BSSP	
PART CODE	MAX GAUGE PRESSURE IN BAR
039.00.00022	0-2
039.00.00023	0-4
039.00.00024	0-8
039.00.00025	0-12



Stainless Steel INOX, 1/8" BSSP	
PART CODE	FLOW RATE IN CUBIC ft PER MIN
039.00.00227	0-2
039.00.00228	0-4
039.00.00229	0-8
039.00.00230	0-12

Accessories for Series 038-039	
PART CODE	DESCRIPTION
C38.00.00069	Wall Bracket
C39.00.00011	Plug with Valve (Grey Precision)
C39.00.00012	Plug with Valve (White Precision FA)
C39.00.00074	Diaphragm complete, 039 (Relieving)