

Suction Elements



Specification



Construction:
Stainless steel media 30% glass filled nylon head. Zintec centre tube. Epoxy adhesives.

Maximum working temperature:
90°C.

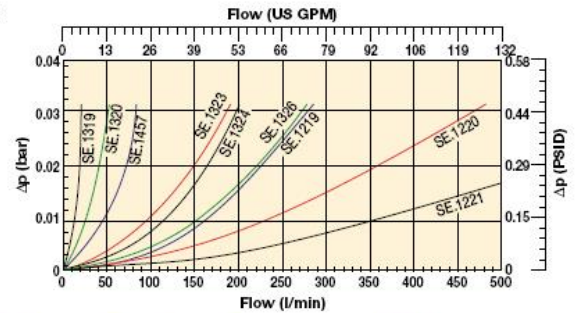
Filtration media:
125 micron*.

Flow range:
15-500 l/min.

Bypass rating:
0.17 bar.

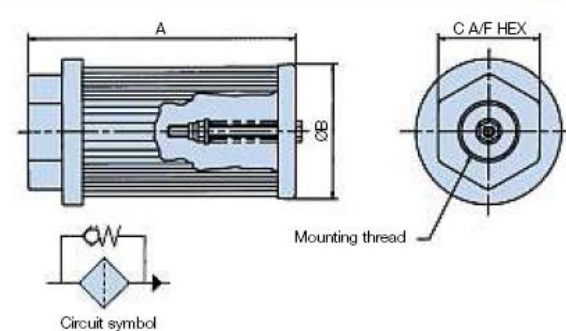
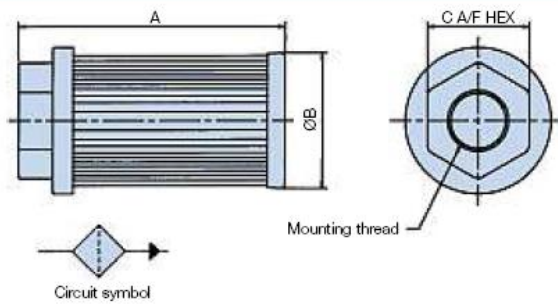
Mounting threads:
G1/2 up to G3.

* Non-standard elements are available to order. Consult Parker Filtration.



Installation - Suction Elements Without Bypass

Installation - Suction Elements with Bypass



Ordering Information - Without Bypass

Standard products table

Part number	Supersedes	Air flow l/min	Ports BSP	Micron rating	Dimensions (mm)			Weight kg	Bypass rating
					A	B	C		
SE75111110	SE.1319	15	1/2	125	105,5	46	36	0.08	N/A
SE75221110	SE.1320	25	3/4	125	109,5	64	46	0.15	N/A
SE75231210	SE.1457	50	1	125	139,5	64	55	0.17	N/A
SE75351210	SE.1323	95	1 1/2	125	140	86	65	0.28	N/A
SE75351310	SE.1324	130	1 1/2	125	200	86	65	0.33	N/A
SE75361410	SE.1326	180	2	125	260	86	75	0.40	N/A
SE75461210	SE.1219	225	2	125	150	150	70	0.64	N/A
SE75471310	SE.1220	350	2 1/2	125	212	150	90	0.72	N/A
SE75481410	SE.1221	500	3	125	272	150	100	0.92	N/A

Note 1: Part numbers featured with bold highlighted codes will ensure a 'standard' product selection.
Note 2: Alternate displayed part number selection will require you to contact Parker Filtration for availability.

Ordering Information - With Bypass

Standard products table

Part number	Supersedes	Air flow l/min	Ports BSP	Micron rating	Dimensions (mm)			Weight kg	Bypass rating
					A	B	C		
SE75111111	SE.5100	15	1/2	125	105,5	46	36	0.11	0.17 bar
SE75221111	SE.5101	25	3/4	125	109,5	64	46	0.18	0.17 bar
SE75231211	SE.5102	50	1	125	139,5	64	55	0.21	0.17 bar
SE75351211	SE.5103	95	1 1/2	125	140	86	65	0.31	0.17 bar
SE75351311	SE.5104	130	1 1/2	125	200	86	65	0.36	0.17 bar
SE75361411	SE.5105	180	2	125	260	86	75	0.43	0.17 bar
SE75461211	SE.5106	225	2	125	150	150	70	0.67	0.17 bar
SE75471311	SE.5107	350	2 1/2	125	212	150	90	0.75	0.17 bar
SE75481411	SE.5108	500	3	125	272	150	100	0.95	0.17 bar

Note 1: Part numbers featured with bold highlighted codes will ensure a 'standard' product selection.
Note 2: Alternate displayed part number selection will require you to contact Parker Filtration for availability.