

Flat Body Cylinder Kits

HF Series - Kits

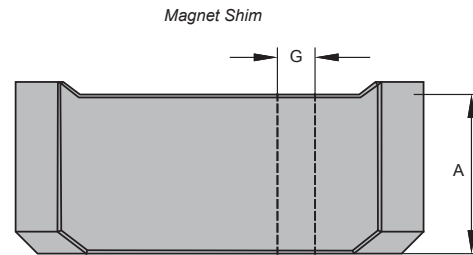
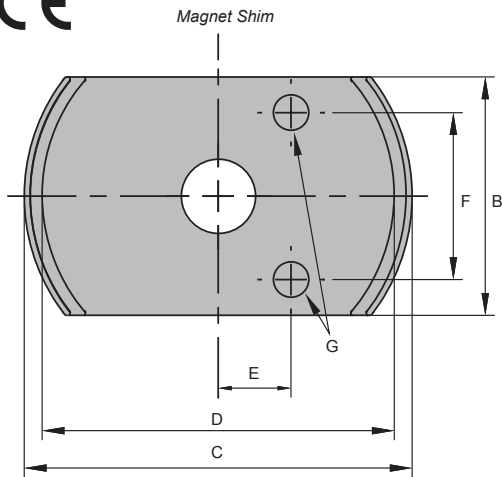


- Various height stackable magnetic adapters eliminate dangerous cribbing
- Convenient carrying case
- Magnetic adapters are stackable
- U.S. Patent No.7,237,762 B2

HF Series

80% **Safety Practices**
 Good industry practice recommends not exceeding 80% of maximum rated capacities of all our products.

High-Flow Couplers
 High-Flow Coupler: CH38F is included on all models (except where specified)

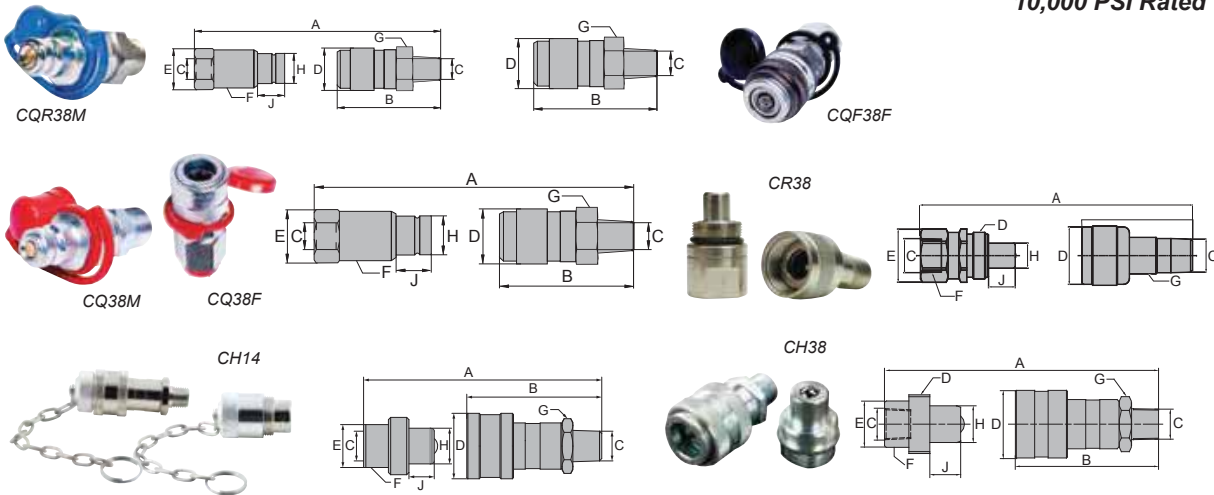


Cylinder Capacity	Stroke (mm)	Model Number	Cylinder Model	Oil Capacity (cc)	Collapsed Height (mm)	Weight (kg)	Adapter Dimensions						
							A (mm)	B (mm)	C (mm)	D (mm)	E (mm)	F (mm)	G (mm)
5 Ton 44 kN	6	HF0503B**	HF0503	4	32	2.5	4	41	65	59	12	28	6
							11	41	65	59	12	28	6
							23	41	65	59	12	28	6
							30	41	65	59	12	28	6
10 Ton 89 kN	11	HF1005B	HF1005	17	43	4.2	10	56	90	82	21	37	7
							20	56	90	82	-	-	-
							40	56	90	82	-	-	-
20 Ton 178 kN	11	HF2005B	HF2005	31	51	6.8	10	76	108	100	27	49	10
							20	76	108	100	-	-	-
							40	76	108	100	-	-	-
30 Ton 267 kN	13	HF3005B	HF3005	54	59	9.5	10	95	121	113	34	52	10
							20	95	121	113	-	-	-
							40	95	121	113	-	-	-
50 Ton 445 kN	16	HF5006B	HF5006	102	67	14.7	10	114	150	141	41	67	11
							20	114	150	141	-	-	-
							40	114	150	141	-	-	-

**HF0503B is fitted with the coupler CR38F

Hydraulic Couplers

10,000 PSI Rated



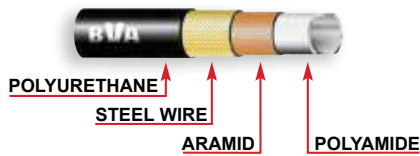
Max Flow Capacity (l/min)	Coupler Type	Model Numbers			Dimensions (mm)								
		Complete Set	Male Half	Female Half	A*	B	C	D	E	F	G	H	J
35	High-Flow Coupler	CH38	CH38M	CH38F	85	72.1	3/8"-18NPTF	28	-	25.4	19	16	16
10	Regular-Flow Coupler	CR38	CR38M	CR38F	90	56	3/8"-18NPTF	26	-	18.5	12.7	13.5	13.5
8	High-Flow Coupler	CH14	CH14M	CH14F	71.9	59.7	1/4"-18NPTF	22	-	21	15.7	10.4	-
6	Quick Connection	CQ38	CQ38M	CQ38F	104.2	-	3/8"-18NPTF	28.1	24	-	22	44.9	20
6	Hose Rupture Nipple	-	CQR38M	-	106.7	64.7	3/8"-18NPTF	-	-	-	22	14.9	20
5.3	Flat Face Coupler	-	-	CQF38F	116	71	3/8"-18NPTF	30	24	-	-	-	-

* Value A is total length when male and female couplers are connected.

Hydraulic Hoses

Hose Exceeds DIN 20022-1 & SAE 100R9 Specifications

- Rubber Bend Restrictors.
- High Working Pressure.
- Optimum Flexibility.
- Light Weight.
- Temperature Range: from -40°C up to +100 °C.



Model Number	Length (cm)	I.D. Ø	Hose End Fittings	Operating Pressure (BAR)	Bursting Pressure (BAR)	Ben Radius (mm)	oil Volume (cc)	Weight (kg)
CS3814-1	100	6.35mm / 1/4"	3/8" - 18NPTF	700	2800	50	34	0.5
CS3814-2	200	6.35mm / 1/4"	3/8" - 18NPTF	700	2800	50	67	0.8
CS3814-3	300	6.35mm / 1/4"	3/8" - 18NPTF	700	2800	50	100	1.1
CS3814-4	400	6.35mm / 1/4"	3/8" - 18NPTF	700	2800	50	133	1.3
CS3814-6	600	6.35mm / 1/4"	3/8" - 18NPTF	700	2800	50	200	1.9
CS3814-10	1000	6.35mm / 1/4"	3/8" - 18NPTF	700	2800	50	332	3
CS3838-2	200	9.5mm / 3/8"	3/8" - 18NPTF	700	2800	150	158	0.8

* Available in other lengths on request

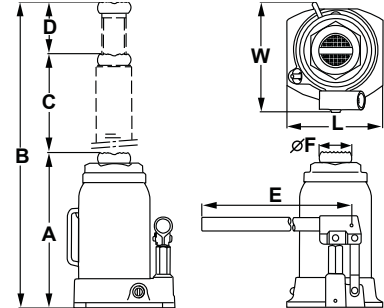
Control Valves / Accessories



Manual Bottle Jacks

12-50 Ton

- With easy adjustable extension screw [2-20 Tons].
- With rubber removable carry ring for easy storage of pump handle [2-20 Tons].
- Safety valve against over-loading.
- Bottle Jacks 8 Ton and more are supplied with a carry grip.



Model Number	Capacity	A (mm)	B (mm)	C (mm)	D (mm)	E (mm)	F (mm)	L (mm)	W (mm)	Weight (kg)
1412000	12 Tons 107 kN	241	469	150	78	452	42	138	106	7.4
1420000	20 Tons 178 kN	249	475	150	76	452	76	160	150	12.9
1430000	30 Tons 267 kN	268	480	155	57	695	67	190	152	21.4
10500	50 Tons 445 kN	305	483	178	-	593	79	275	198	50.4
10990	100 Tons 890 kN	305	461	156	-	600	113	305	238	90.6

Mini Jacks

Compact

- Low profile mini jack
- Compact and lightweight
- Convenient for storage



These mini jacks are lightweight and will fit in the palm of your hand.



Interchangeable saddle on model J11050 and J11055

Capacity	Model Number	Minimum Height (mm)	Maximum Height (mm)	Hydraulic Lifting (mm)	Base Size (L x W) (mm)	Weight (kg)
5 Tons 44 kN	J11050	71	79	20	104.14 x 101.6	2.1
5 Tons 44 kN	J11055	97	124	38	104.14 x 101.6	2.4
10 Tons 89 kN	J11100	122	160	41	124.46 x 111.76	5.7
20 Tons 178 kN	J11200	130	173	41	137.16 x 121.92	7.6



J11050