

Miniature Fittings

Series M



Tubing Connection and Removal

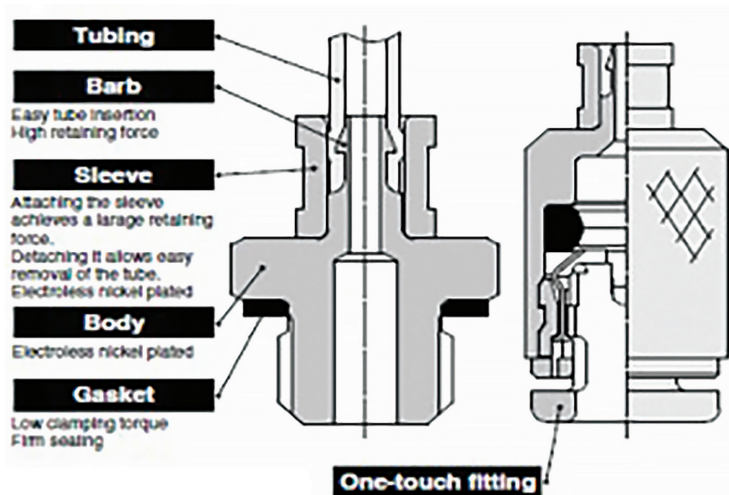
Connection of tubing

1. Cut the tubing perpendicular allowing additional length.
2. Insert the tubing into the sleeve
3. Insert the tubing slowly into the fittings. Make sure to secure a gap of approx. 0.5mm between the tubing end and the barb end
4. Insert the sleeve slowly. Make sure not to allow any gap between the sleeve end side and the body end side. If you feel any strong resistance and cannot push the sleeve completely to the end side, this may be caused due to jamming. Remove and repeat again by starting from step 1 making sure to secure a gap in step 3.

Removal of Tubing

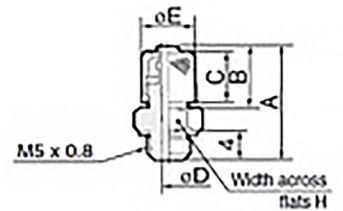
1. Withdraw the sleeve straight along the tubing. Use a tool such as long-nose pliers if it is difficult to pull out by hand
2. Withdraw the tubing straight.
3. When reusing the tubing, cut off the previously installed portion of the tubing to avoid possible leakage and/or disconnection of the tubing.

Specifications	
Applicable tubing material:	Polyurethane
Applicable tubing (O.D / I.D):	2 / 1.2
Fluid:	Air, Water
Max. Operating pressure:	1 Mpa
Ambient and fluid temperature:	-5 to 60°C, Water: 0 to 40 (No Freezing)
Thread:	JIS B0205 (Metric fine thread)



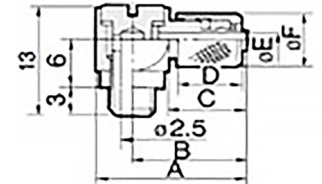
Male Studs

Part Number	A	B	C	D	E	H	Effective Area mm	Weight (g)
MIPC4-M5	15.5	8.5	7	1.8	6.5	7	2.1	2.7
MIPC5-M5	16.5	9.5	8	2.5	8.5	8	4.0	3.9



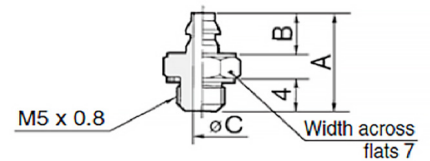
Male Elbows

Part Number	A	B	C	D	E	F	Effective Area mm	Weight (g)
MIPL4-M5	16.5	12.5	8.5	7	1.8	6.5	1.4	4.4
MIPL5-M6	17.5	13.5	9.5	8	2.5	8.5	2.4	5.2



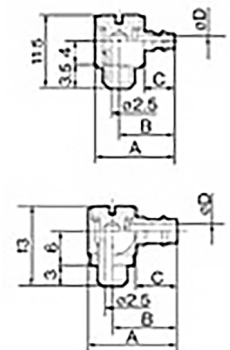
Barb Male Hosetail

Part Number	A	B	C	Effective Area mm	Weight (g)
MIMHT2-M3	9	3	4	0.9	0.7
MIMHT3-M3	9.5	4.5	1.2	0.9	0.6
MIMHT4-M3	10	5	1.2	0.9	0.7
MIMHT3-M5	11.5	4.5	1.6	1.7	1.5
MIMHT4-M5	12	5	1.8	2.1	1.6
MIMHT6-M5	14	7	2.5	4.0	1.8



Barb Male Elbow Hosetail

Part Number	A	B	C	D	Effective Area mm	Weight (g)
MIEHT2-M3	9	6.5	4	4	0.9	1.6
MIEHT3-M3	13	11	7	2.5	2.4	4.4
MIEHT4-M3	13	9	4.5	1.5	??	
MIEHT3-M5	13	9	4.5	1.6	1.1	4.0
MIEHT4-M5	13.5	9.5	5	1.8	1.4	4.1
MIEHT6-M5	15.5	11.5	7	2.5	2.4	4.5



Plug

Part Number	Length	Thread Length	Weight (g)
MIPP-M3	5	3	0.5
MIPP-M5	6.5	4	1.3



