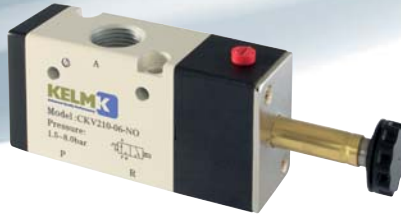


SOLENOID VALVES 3/2, 5/2, 5/3 WAY

Solenoid 3/2 Way,
Solenoid Spring



Solenoid 3/2 Way,
Solenoid Solenoid



Solenoid 5/2 Way,
Solenoid Spring



Solenoid 5/2 Way,
Solenoid Solenoid



Solenoid 5/3 Way,
Solenoid Spring
Solenoid



Namur Solenoid
5/2 Way, Solenoid
Spring



Namur Solenoid
5/2 Way, Solenoid
Solenoid



Installation & Application Data

Before installing, be sure the valve hasn't been damaged in transit.

Use clean lubricated air filtered to 40µm.

Be aware of the flow direction and port size.

Please note whether the installation conditions meet the technical requirements (such as voltage, actuation frequency, working pressure & temperature) before installing the valve.

Notice the flow direction of air during installation, P is the air input, A (B) is the outlet port & R (S) is the exhaust port.

Avoid freezing temperature and vibration.

Before use ensure fittings and tubes are clean.

Use PTFE tape correctly when connecting fittings.

To stop the ingress of dust use silencers in the exhaust ports.

After installation use the manual override to test the valve first.

SOLENOID VALVE (3/2 WAY) CKV200 SERIES

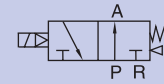
Specification



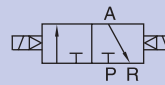
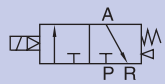
Model	CKV210-06	CKV220-06	CKV210-08	CKV220-08
Fluid	Air (to be filtered by 40µm filter element)			
Acting	Internal Piloted			
Port	1/8"		1/4"	
Orifice	14.0mm ² (Cv=0.78)		16.0mm ² (Cv=0.89)	
Valve Type	3/2			
Lubrication	Not required			
Operating Pressure	0.15 - 0.8MPa(21-114psi)			
Proof Pressure	1.5MPa(215psi)			
Temperature	-20 to +70°C			
Material of Body	Aluminum Alloy			

Symbol

Normally Open



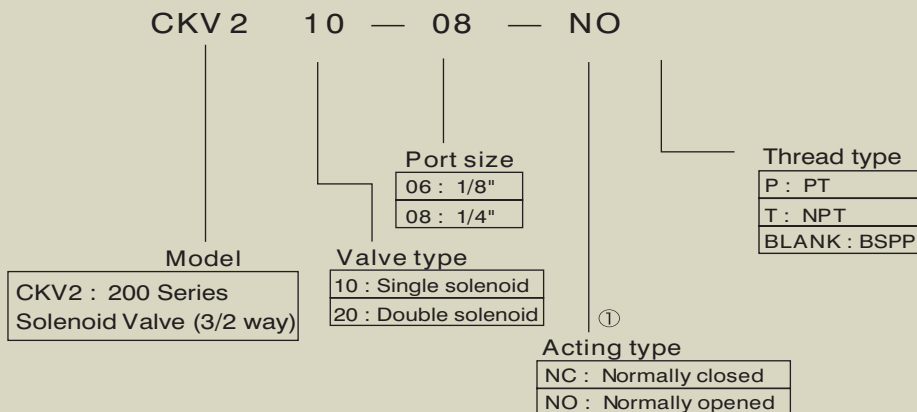
Normally Closed



G threads as standard. PT & NPT threads are available on request.

If using lubricants the practice must remain constant for the life of the valve. Lubricants like ISO VG32 or the equivalent are recommended

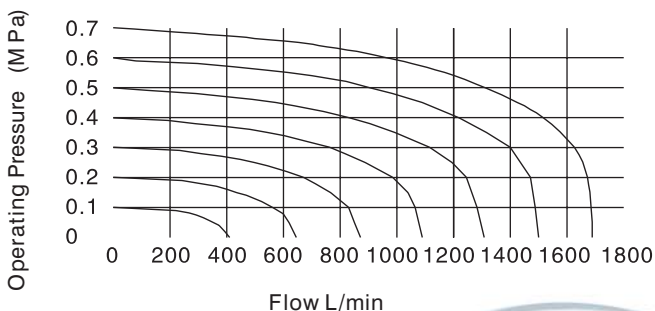
Ordering Code



① Remark: 2 position double control solenoid valves have no differences between normally opened & normally closed, thus this code is blank.

Flow Chart

Model CKV210-08-NO



Product Features

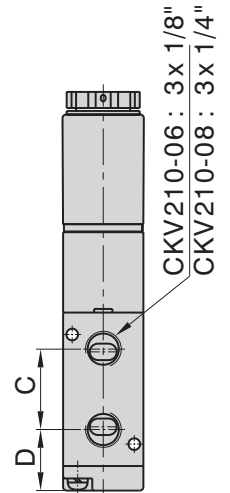
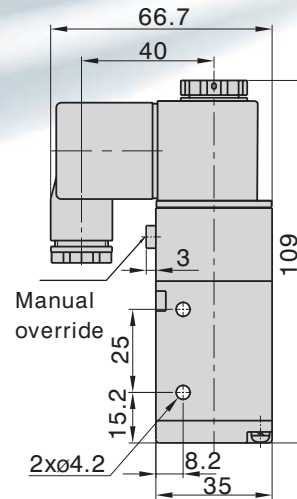
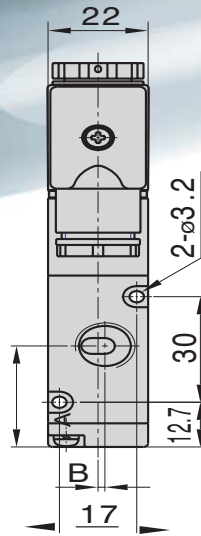
- 1) Pilot-oriented mode is internally piloted.
- 2) Sliding spool has tight tolerances.
- 3) Double control solenoid valves have memory function.
- 4) Internal orifice adopts special processing technology giving low friction and long service life.
- 5) Lubrication is not necessary but once oil is introduced to the valve it must be continued.
- 6) Valves have manual override.
- 7) Several standard voltages are available.

SOLENOID VALVE (3/2 WAY) CKV200 SERIES

Dimensions

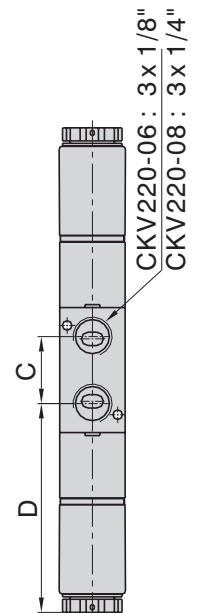
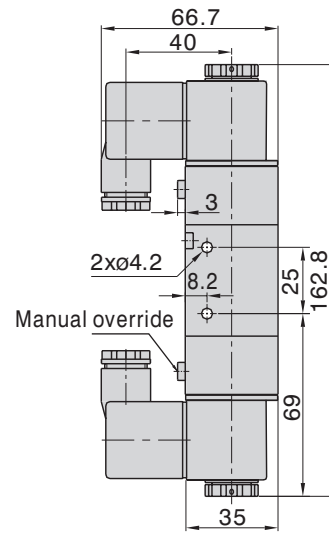
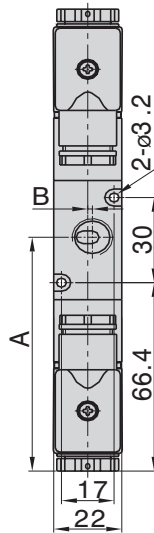
CKV210

Item	CKV210-06	CKV210-08
A	27.7	28.7
B	0	1.5
C	22	22.5
D	16.7	16.45

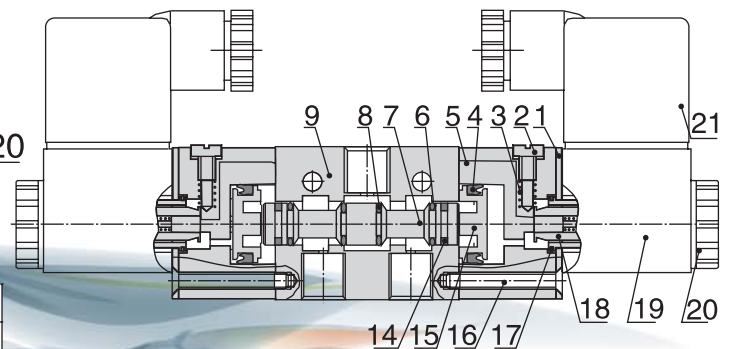
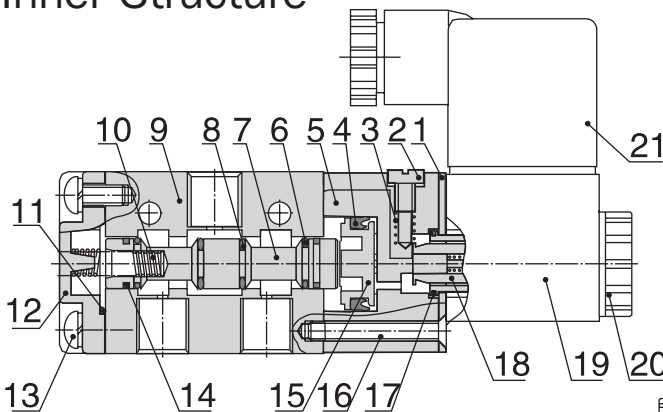


CKV220

Item	CKV220-06	CKV220-08
A	81.4	82.4
B	0	1.5
C	22	22.5
D	70.4	70.15



Inner Structure



No.	Item	No.	Item	No.	Item
1	Fixed Plate	8	O-ring	15	Piston
2	Manual Override	9	Body	16	Pilot Screw
3	Override Spring	10	Spool Spring	17	O-ring
4	Piston O-ring	11	End Cover Gasket	18	Armature
5	Pilot Body	12	End Cover	19	Coil
6	Spool Packing	13	Screw	20	Coil Nut
7	Spool	14	Wearing Ring	21	Connector

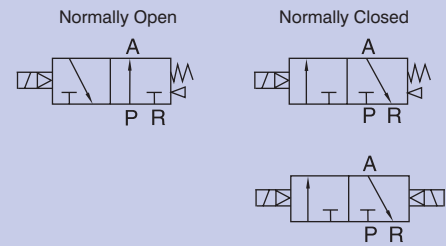
SOLENOID VALVE (3/2 WAY) CKV300 SERIES

Specification

Model	CKV310-10	CKV320-10
Fluid	Air (to be filtered by 40um filter element)	
Acting	Internal Piloted	
Port	3/8"	
Orifice	30.0mm ² (Cv =1.67)	
Valve Type	3/2	
Lubrication	Not required	
Operating Pressure	0.15 – 0.8MPa(21–114psi)	
Proof Pressure	1.5MPa(215psi)	
Temperature	-20 to +70°C	
Material of Body	Aluminum Alloy	



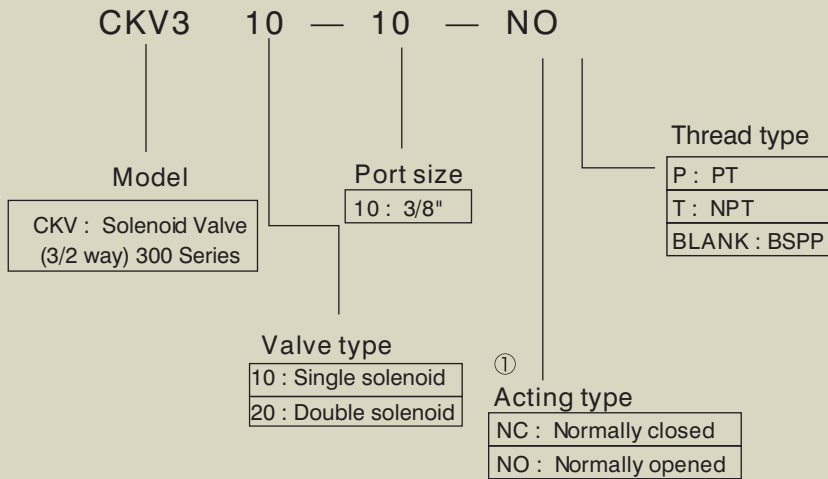
Symbol



G threads as standard. PT & NPT threads are available on request.

If using lubricants the practice must remain constant for the life of the valve. Lubricants like ISO VG32 or the equivalent are recommended.

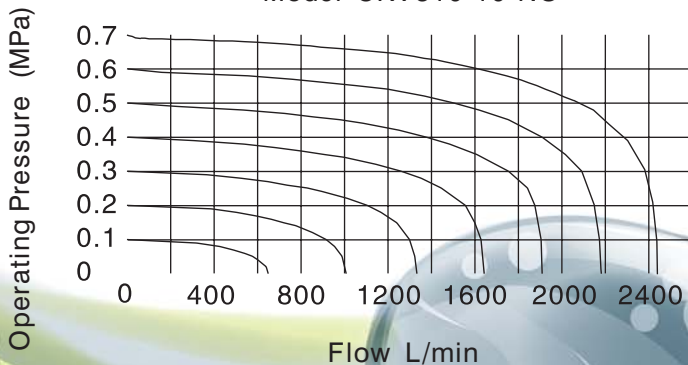
Ordering Code



① Remark: 2 position double control solenoid valves have no differences between normally opened and normally closed state, thus this code is blank.

Flow Chart

Model CKV310-10-NO



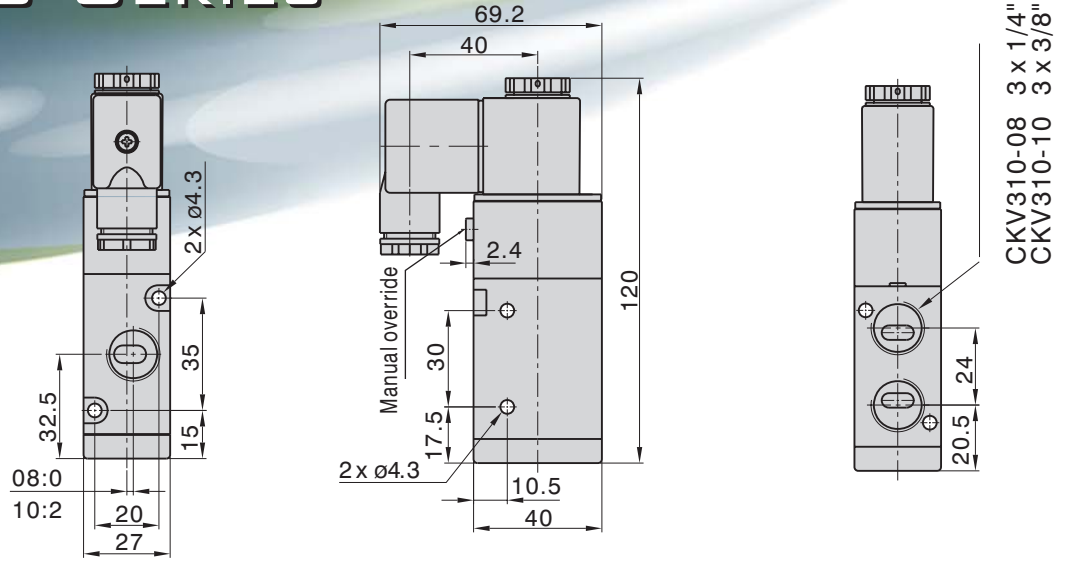
Product Features

- 1) Pilot-oriented mode is internally piloted.
- 2) Sliding spool has tight tolerances.
- 3) Double control solenoid valves have memory function.
- 4) Internal orifice adopts special processing technology giving low friction and long service life.
- 5) Lubrication is not necessary but once oil is introduced to the valve it must be continued.
- 6) Valves have manual override.
- 7) Several standard voltages are available.

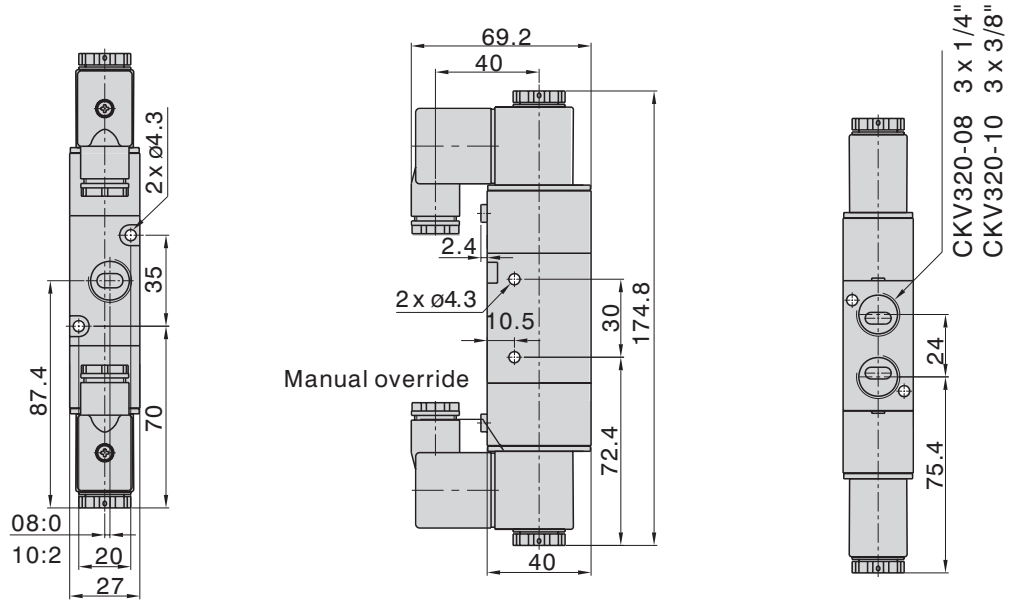
SOLENOID VALVE (3/2 WAY) CKV300 SERIES

Dimensions

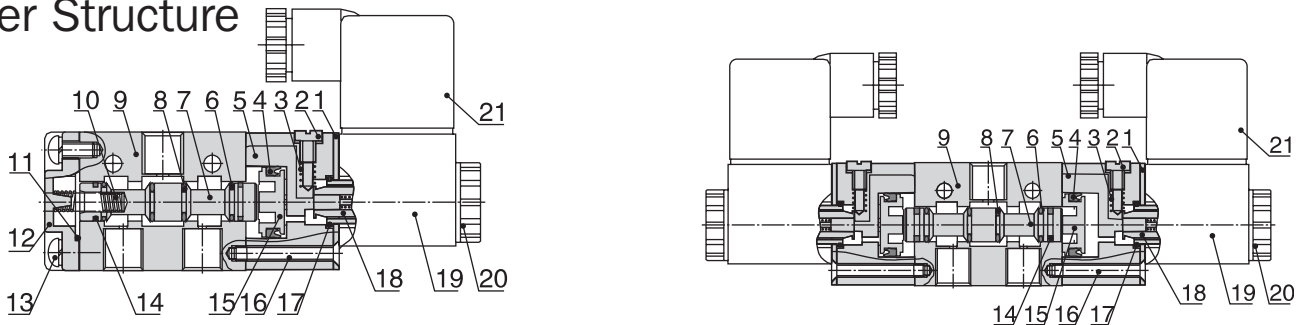
CKV310



CKV320



Inner Structure



No.	Item	No.	Item	No.	Item
1	Fixed Plate	8	O-ring	15	Piston
2	Manual Override	9	Body	16	Pilot Screw
3	Override Spring	10	Spool Spring	17	O-ring
4	Piston O-ring	11	End Cover Gasket	18	Armature
5	Pilot Body	12	End Cover	19	Coil
6	Spool Packing	13	Screw	20	Coil Nut
7	Spool	14	Wearing Ring	21	Connector