

ISO15552 Cylinder Rod Mountings

Piston Rod Universal Joint 'U'

Ordering Code

F - M 1 0 X 1 2 5 U

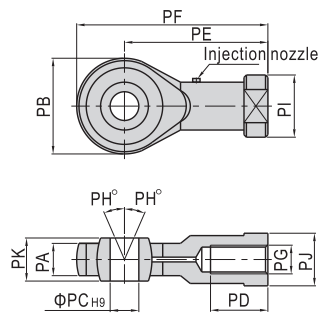
| Accessories code | Screw Thread | Thread Pitch | | Code |
|------------------|--------------|--------------|--------------|--------------------|
| | M4: M4 | Screw Thread | Thread Pitch | U: Universal joint |
| | M5: M5 | M4 | 070: 0.7mm | |
| | M6: M6 | M5 | 080: 0.8mm | |
| | M8: M8 | M6 | 100: 1.0mm | |
| | M10: M10 | M8, M10, M12 | 125: 1.25mm | |
| | M12: M12 | M14, M16 | 150: 1.5mm | |
| | M14: M14 | M18, M20 | | |
| | M16: M16 | M27, M36 | 200: 2.0mm | |
| | M18: M18 | | | |
| | M20: M20 | | | |
| | M27: M27 | | | |
| | M36: M36 | | | |



Dimensions

| Model/Item | PA | PB | PC | PD | PE | PF | PG | PH | PI | PJ | PK |
|------------|------|----|----|----|-----|-----|------------|----|------|----|----|
| F-M10125U | 11 | 26 | 10 | 20 | 43 | 56 | M10 x 1.25 | 13 | 19 | 17 | 14 |
| F-M12125U | 12 | 32 | 12 | 22 | 50 | 66 | M12 x 1.25 | 13 | 22 | 19 | 16 |
| F-M16150U | 15 | 40 | 16 | 28 | 64 | 84 | M16 x 1.5 | 15 | 27 | 22 | 21 |
| F-M20150U | 16.5 | 46 | 20 | 33 | 77 | 100 | M20 x 1.5 | 15 | 34 | 30 | 23 |
| F-M27200U | 24 | 66 | 28 | 51 | 103 | 136 | M27 x 2.0 | 15 | 46 | 41 | 35 |
| F-M36200U | 27.5 | 80 | 35 | 56 | 125 | 165 | M36 x 2.0 | 15 | 57.5 | 50 | 43 |

M8 and below



M10 and above

