

# Inflating Guns



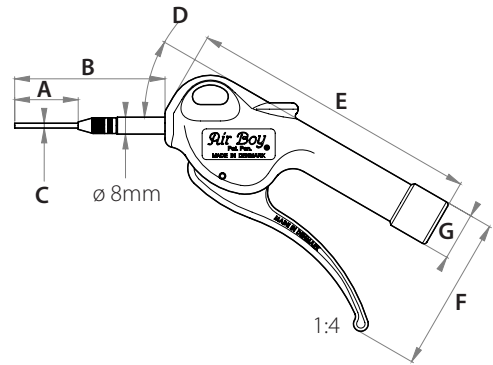
The Air Boy® Ball inflating gun inflates footballs, handballs etc.

The Air Boy® Ball inflating gun is quick and easy to use, so you are ready for the next game.

Due to the slender nozzle, the Air Boy® Ball inflating gun can also be used for cleaning in narrow places.

The JWL ergonomic design is a classic in itself. We use the compressed air to ease the activating of the handle making it easy, accurate and simple to operate.

The body of the Air Boy® Ball inflating gun is produced in an impact-resistant acetal plastic (POM)



**25**  
 Year Warranty  
 Jahre Garantie  
 ans de Garantie  
 años de garantía  
 ārs garanti

<b>C</b>	∅ 2,3 mm	<b>E</b>	138 mm	<b>G</b>	∅ 22.6 mm
<b>D</b>	30 °	<b>F</b>	73.6 mm		⊕ 1/4 " BSP

The durability of our blowguns is top notch - even after 28 million operations.

Therefore, we are also proud to offer you a 25 year warranty on the valve system in your Air Boy® blowgun!

Materials		Specifications	
Handle and trigger	Acetal plastic	Max 16 bar	
Valve	Acetal plastic	-10°C to +60°C	
Gaskets / O-rings	Nitrile	100 g	
Blowing tube & shaft	Steel, el. galvanised		
Inflating head	Brass		
Spring	Hardened spring wire		
Accessories		Code no.	
Extra inflating needle for Air Boy® ball inflating gun 140108-000		140297	