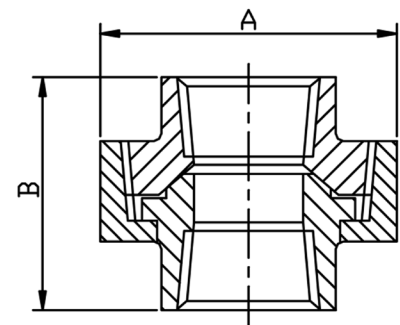


# Female Union

## Technical Data

- NPT threaded to ANSI B2.1
- Dimensions to ANSI B16.11/BS3799
- 3000 LB rating
- Sizes 1/4" to 2"
- 316L stainless steel
- Larger sizes are available



SIZE	PART No	A	B	Kg/100
1/4	1012-0097	36	43	17.2
3/8	1012-0098	41	48	40.0
1/2	1012-0099	46	52	35.8
3/4	1012-0100	56	57	52.5
1	1012-0101	65	63	78.2
1-1/4	1012-0102	80	68	131.3
1-1/2	1012-0103	88	78	150.3
2	1012-0104	105	91	253.2