



M/1430, BM/1430

Time Delay Valves G $\frac{1}{8}$

- Provides a short time delay between successive operations in a sequence
- Entirely pneumatic - particularly suitable in hazardous environments
- Automatic reset when input removed
- Side ported and bottom ported sub-bases with provision for gang mounting



Technical Data

Medium:

Compressed air, filtered, lubricated and non-lubricated

Operation:

Time delay valve

Mounting:

Through-holes in sub-base, threaded

Port Size:

G $\frac{1}{8}$

Operating Pressure:

2 - 10 bar

Flow:

Cv 0,12

Time Delay:

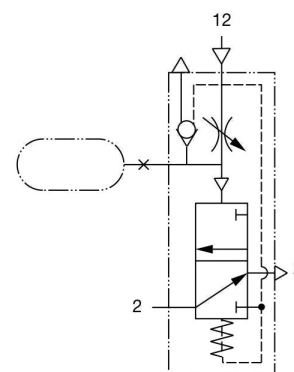
0,2 - 5 seconds

5 - 30 seconds with addition of M/1428 reservoir

5 - 60 seconds with addition of M/1429 reservoir

Operating Temperature:

+5°C to +80°C

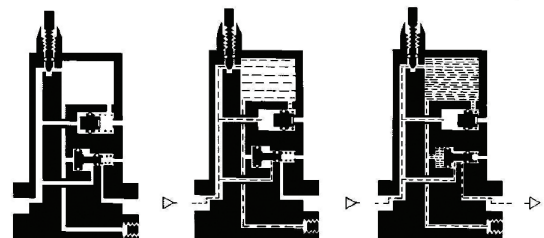


Materials

Pressure diecast zinc alloy body and base, nitrile rubber seals.

Ordering Information

To order, quote model number from table overleaf, e.g. M/1430 for the side ported model





M/1430, BM/1430

General Information

Model	Sub-base	Port size	Weight (kg)	Spares kit
M/1430	Side ported	G ¹ / ₈	0,54	QM/1430/00
BM/1430	Bottom ported	G ¹ / ₈	0,54	QM/1430/00

Warning

These products are intended for use in industrial compressed air systems only. Do not use these products where pressures and temperatures can exceed those listed under 'Technical Data'.

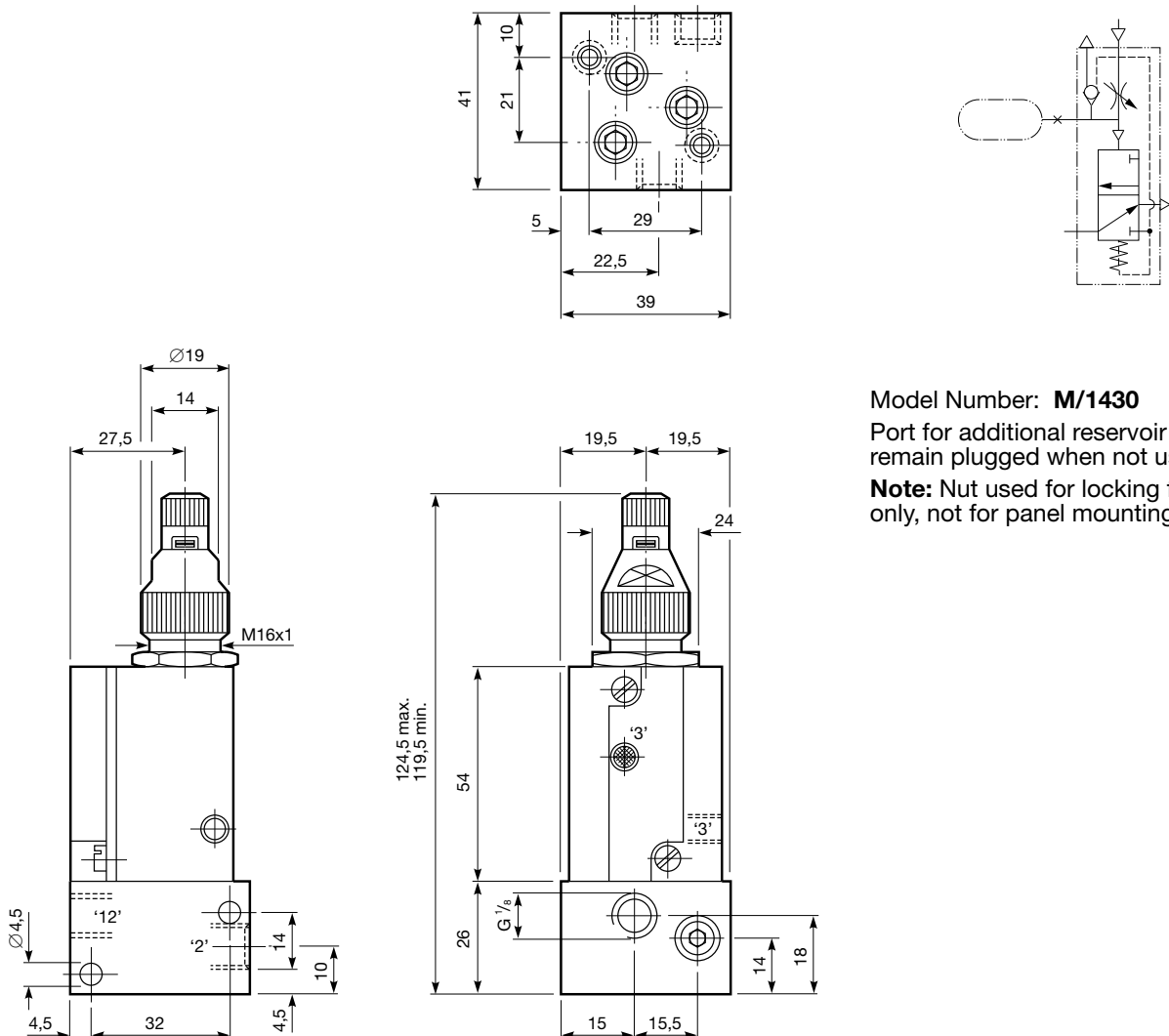
Before using these products with fluids other than those specified, for non-industrial applications, life-support systems, or other applications not within published specifications, consult NORGREN MARTONAIR.

Through misuse, age, or malfunction, components used in fluid power systems can fail in various modes. The system designer is warned to consider the failure modes of all component parts used in fluid power systems and to provide adequate safeguards to prevent personal injury or damage to equipment in the event of such failure.

System designers must provide a warning to end users in the system instructional manual if protection against a failure mode cannot be adequately provided.

System designers and end users are cautioned to review specific warnings found in instruction sheets packed and shipped with these products.

Time Delay Valve



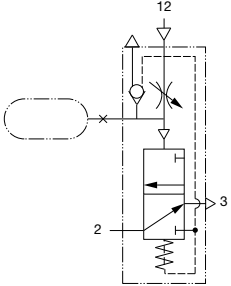
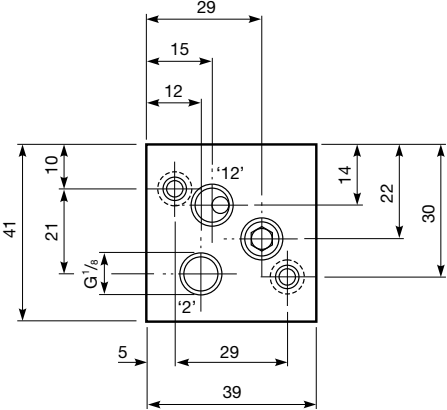
Model Number: **M/1430**

Port for additional reservoir should remain plugged when not used.

Note: Nut used for locking function only, not for panel mounting.



Time Delay Valve



Model Number: **BM/1430**
Port for additional reservoir should remain plugged when not used.
Note: Nut used for locking function only, not for panel mounting.

