



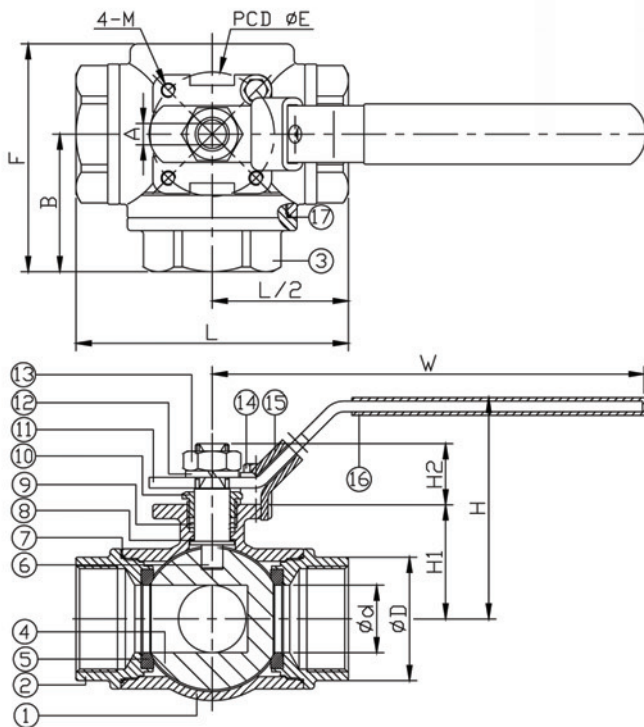
# 3-WAY SCREWED END BALL VALVE

# 2057N



## FEATURES

- L port / T port, 1/4"~2" (DN8~DN50)
- W.P. : 1000 WOG (PN63)
- W.T. : -20°C~200°C (-4°F~392°F)
- Investment casting
- Blow-out proof stem
- Locking device
- Anti-static device (option)
- ISO 5211 Mounting pad
- Thread type : ASTM B1.20.1 (NPT)  
DIN2999 & BS21  
ISO228/1 & ISO7/1



ITEM	PARTS	MATERIALS	
1	BODY	ASTM A351-CF8M	ASTM A216-WCB
2	CAP-B		
3	CAP-A		
4	BALL	ASTM A351-CF8M	
5	SEAT	PTFE	
6	STEM	AISI 316	
7	SEAL-B		
8	THRUST WASHER	PTFE	
9	PACKING		
10	GLAND		
11	HANDLE		
12	SPRING WASHER	AISI 304	
13	STEM NUT		
14	PIN		
15	LOCK DEVICE		
16	HANDLE SLEEVE	PVC	
17	SEAL-A	PTFE	

DN	d	D	L	B	F	H	W	E	M	H1	H2	A	ISO 5211	Torque (N-M)
8	11.6	25.5	76	37.3	58.5	67	150	42	M5	29.1	18.3	8	F04	6
10	12.5	25.5	76	37.3	58.5	67	150	42	M5	29.1	18.3	8	F04	6
15	12.5	25.5	76	37.3	58.5	67	150	42	M5	29.1	18.3	8	F04	6
20	16	32	86	44	72.1	77	150	42	M5	38.5	20.3	8	F04	8
25	20	38.5	99.1	49	81.8	83	180	50	M6	43	23.2	9.5	F05	9.5
32	25	48.5	117.4	57	94.7	88	180	50	M6	47.8	23.2	9.5	F05	24
40	32	58.5	123.8	61.3	103.9	116	243.5	70	M8	55.7	34.2	12	F07	26
50	38	69.5	148	74.3	125.5	124	243.5	70	M8	64.5	34.2	12	F07	33

unit:mm

NPS	d	D	L	B	F	H	W	E	M	H1	H2	A	ISO 5211	Torque (in-lb)
1/4"	0.46	1	2.99	1.47	2.3	2.64	5.91	1.65	M5	1.15	0.72	0.31	F04	53.1
3/8"	0.49	1	2.99	1.47	2.3	2.64	5.91	1.65	M5	1.15	0.72	0.31	F04	53.1
1/2"	0.49	1	2.99	1.47	2.3	2.64	5.91	1.65	M5	1.15	0.72	0.31	F04	53.1
3/4"	0.63	1.26	3.39	1.73	2.84	3.03	5.91	1.65	M5	1.52	0.8	0.31	F04	70.81
1"	0.79	1.52	3.9	1.93	3.22	3.27	7.09	1.97	M6	1.69	0.91	0.37	F05	84.08
1-1/4"	0.98	1.91	4.62	2.24	3.73	3.46	7.09	1.97	M6	1.88	0.91	0.37	F05	212.42
1-1/2"	1.26	2.3	4.87	2.41	4.09	4.57	9.59	2.76	M8	2.19	1.35	0.47	F07	230.12
2"	1.5	2.74	5.83	2.93	4.94	4.88	9.59	2.76	M8	2.54	1.35	0.47	F07	292.07

unit:in