

Automatic valves

Series SCS, VNR, VSC and VSO

Unidirectional valves VNR

Quick exhaust valves VSC - VSO

Circuit selector SCS

Ports M5, G1/8, G1/4, G1/2 - Cartridge \varnothing 4



Automatic valves are defined as those valves which change their state simply as a result of compressed air being present or absent at their inlets.

GENERAL DATA

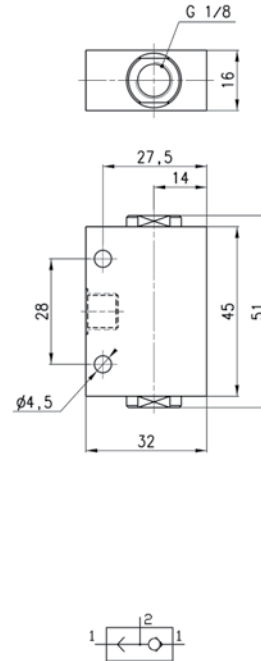
Valve group	automatic valves
Construction	poppet - type
Mounting	in any position
Ports	M5 - G1/8 - G1/4 - G1/2
Operating temperature	0°C + 80°C (with dry air -20°C)
Fluid	filtered air, without lubrication. If lubricated air is used, it is recommended to use ISO VG32 oil. Once applied the lubrication should never be interrupted.

Circuit selector Series SCS

The circuit selector, Mod. SCS - 668-06, enables two signals coming alternately from two different points to be channelled towards the same point. The selector is mounted by through holes in the body.

Materials used:

- AL body
- OT58 bush
- NBR seals
- Delrin poppet



DIMENSIONS

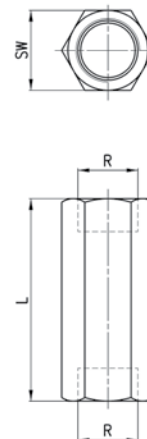
Mod.	Flow rate Qn NI/min	Min. actuation pressure
SCS-668-06	800	0,2 bar

Unidirectional valves Series VNR

The unidirectional valves in the VNR Series are available with M5, G1/8 and G1/4 ports. The design of these valves is of the poppet type and this feature allows operation at low pressures both when there is a free flow and during retention.

Materials used:

- OT58 body
- NBR seals
- stainless steel spring



DIMENSIONS

Mod.	R	L	SW	Flow rate Qn NI/min	Min. actuation pressure
VNR-205-M5	M5	25	8	50	1 bar
VNR-210-1/8	G1/8	34	13	600	0,3 bar
VNR-843-07	G1/4	48	17	1400	0,2 bar

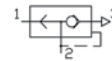
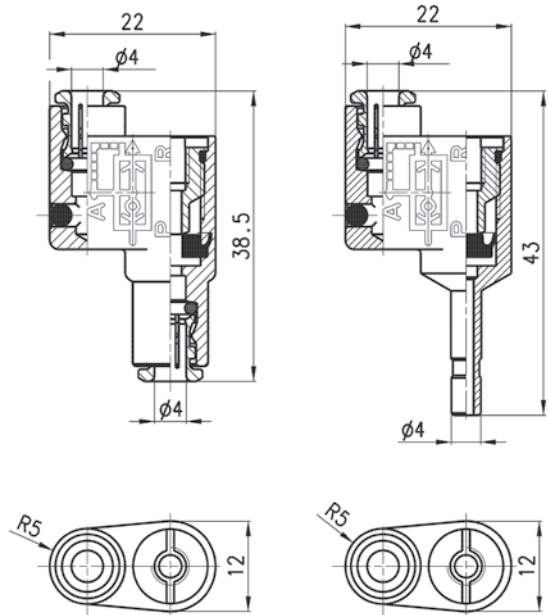
Quick exhaust valves



Quick exhaust valves are commonly used to increase the speed of cylinders or for rapid depressurisation of tanks containing compressed air. The models VSO 425 -M5 and VSO 426 - 04 are specially designed for mounting on solenoid valves and valves incorporating a $\varnothing 4$ cartridge.

Materials used:

- OT58 body
- NBR seal



DIMENSIONS

Mod.	Flow rate from P to A Qn Nl/min	Flow rate from A to R Qn Nl/min	Min. actuation pressure
VSO 425-M5	50	100	1 bar
VSO 426-04	50	100	1 bar

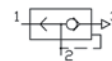
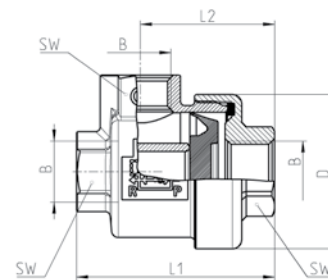
Quick exhaust valves



Quick exhaust valves are commonly used to increase cylinders speed or for rapid depressurization of compressed air tank. We recommend mounting a silencer on the outlet.

Materials used:

- OT58 (brass) body
- Desmopan seal



DIMENSIONS

Mod.	B	D	L1	L2	SW	Flow rate from P to A Qn Nl/min	Flow rate from A to R Qn Nl/min	Min. actuation pressure
VSC 588-1/8	1/8	28	36,5	25	14	650	1000	0,5 bar
VSC 544-1/4	1/4	33	42	28,5	17	1100	1900	0,3 bar
VSC 522-1/2	1/2	43	57,5	39,5	24	4500	6300	0,2 bar

VSC 588-1/8: Qn* = P → A 650 Nl/min
A → R 1000 Nl/min
Minimum operating pressure = 0,5 bar

VSC 544-1/4: Qn* = P → A 1100 Nl/min
A → R 1900 Nl/min
Minimum operating pressure = 0,3 bar