

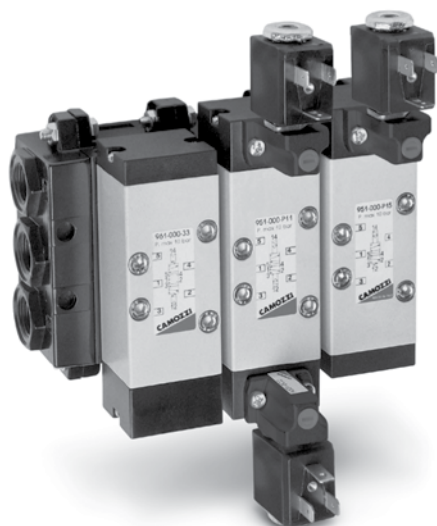
Electropneumatically and pneumatically operated valves Series 9

2

5/2 and 5/3 way C.C. C.O.

Sizes 1 - 2 - 3

Assembly with sub-base (ISO 5599/1 Standards)



The Series 9 electropneumatically or pneumatically operated valves have been manufactured in the sizes 1, 2 and 3, as recommended by the ISO Standards.

The ease of pneumatic and electrical wiring makes this valves series extremely flexible.

GENERAL DATA

Operating pressure	max. press. 10 bar (for minimum pressures see descriptions)
Nominal pressure	6 bar
Nominal flow	ISO 1= 900 NI/min ISO 2 = 1610 NI/min ISO 3 = 4350 NI/min
Fluid	filtered air, without lubrication If lubricated air is used, it is recommended to use ISOVG32 oil and to never interrupt the lubrication.
Interface electropneumatic	CNOMO Standards

CODING EXAMPLE

9	5	1	-	C	1	B	-	P16	-	23	-	U	7	7
---	---	---	---	---	---	---	---	-----	---	----	---	---	---	---

9	SERIES
5	NO OF WAYS/POSITIONS: 5 = 5/2 6 = 5/3 Closed centres 7 = 5/3 Open centres
1	SIZE: 1 = size 1 2 = size 2 3 = size 3
C	SUB-BASE: C = ISO (manifold outlets) F = ISO (single sub-base, side ports) G = ISO (single sub-base, rear ports) N = ISO (front outlet interface) N1A = (front outlet sub - base)
1	PORTS (OUTLETS): Size 1 = G1/4 Size 2 = G3/8 Size 3 = G1/2
B	N° OF SUB-BASE: A = 1 *B = 2 *C = 3 *D = 4 *E = 5 *F = 6 *G = 7 *H = 8 *K = 9 *L = 10 *M = 11 *N = 12 *P = 13 *R = 14 *S = 15
P 16	ACTUATION: 33 = pneumatic, pneumatic return 34 = pneumatic, differential pneumatic return 35 = pneumatic, mechanical spring return P11 = double solenoid (horizontal solenoids) P15 = single solenoid, spring return (horizontal solenoids) P16 = solenoid, pneumatic spring return (horizontal solenoids)
23	SOLENOID INTERFACE: 23 = A531 - BC2
U	SOLENOID MATERIAL: U = PET G = PA A8 = PPS H8 = PA 6 VO
7	SOLENOID DIMENSIONS: 7 = 22 x 22 8 = 30 x 30 9 = 22 x 58
7	SOLENOID VOLTAGE: See solenoids page 2.2.35.01

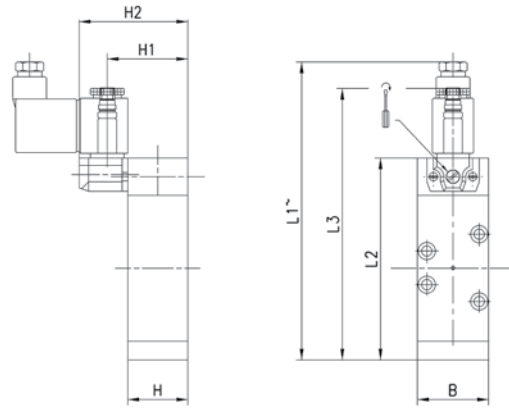
* Complete with two end - blocks Mod. 900-H or 900-HN.

5/2-way solenoid valves, ISO 1, ISO 2, ISO 3, monostable

The Series 9 solenoid valves with an ISO interface, size 1, 2 and 3, which have electropneumatic actuation and spring return, are suitable for mounting on a sub-base.

For electrical actuation, 2 types of solenoid, Mod. A70 and Mod. A80, are available with a wide range of voltages and power consumptions.

The following is supplied:
 1x interface seals
 4x fixing screws.



DIMENSIONS

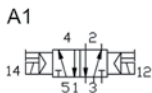
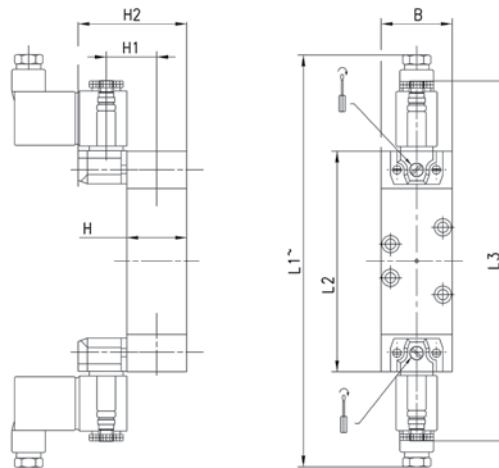
Mod.	Size ISO	B	L1	L2	L3	H	H1	H2	Min. operating pressure	Symbol
951-000-P15-23	1	38	153	108	146	32	43	58	2,5	V
952-000-P15-23	2	51	173	128	166	33	44	59	2,5	V
953-000-P15-23	3	65	218	173	211	45	56	71	2,5	V
951-000-P16-23	1	38	153	108	146	32	43	58	2,5	Z
952-000-P16-23	2	51	173	128	166	33	44	59	2,5	Z
953-000-P16-23	3	65	218	173	211	45	56	71	2,5	Z

5/2-way, 5/3-way valves, ISO 1, ISO 2, ISO 3, bistable

The Series 9 solenoid valves which have an ISO interface, size 1, 2 and 3, and which have electropneumatic actuation and return are suitable for mounting on a sub-base.

For electrical actuation, 2 types of solenoid, Mod. A70 and Mod. A80, are available with a wide range of voltages and power consumptions.

The following is supplied:
 1x interface seal
 4x fixing screws.



DIMENSIONS

Mod.	Size ISO	B	L1	L2	L3	H	H1	H2	Min. operating pressure	Symbol
951-000-P11-23	1	38	208	118	194	32	43	58	2,5	A1
952-000-P11-23	2	51	228	138	214	33	44	59	2,5	A1
953-000-P11-23	3	65	273	183	259	45	56	71	2,5	A1
961-000-P11-23	1	38	208	118	194	32	43	58	2,5	B1
962-000-P11-23	2	51	228	138	214	33	44	59	2,5	B1
963-000-P11-23	3	65	273	183	259	45	56	71	2,5	B1
971-000-P11-23	1	38	208	118	194	32	43	58	2,5	C1
972-000-P11-23	2	51	228	138	214	33	44	59	2,5	C1
973-000-P11-23	3	65	273	183	259	45	56	71	2,5	C1

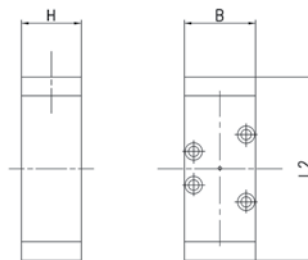
5/2 -way valves, ISO 1, ISO 2, ISO 3, monostable, bistable



The Series 9 valves with ISO interface, size 1, 2 and 3, are available with the following types of actuation:

- pneumatic, with spring return
- pneumatic actuation and differential return
- pneumatic actuation and return

The following is supplied:
 1x interface seal
 4x fixing screws.



Q1



T1



R1



DIMENSIONS

Mod.	Size ISO	B	L2	H	Min. operating pressure	Symbol
951-000-35	1	38	98	32	2,5	Q1
952-000-35	2	51	118	33	2,5	Q1
953-000-35	3	65	163	45	2,5	Q1
951-000-34	1	38	98	32	2	T1
952-000-34	2	51	118	33	2	T1
953-000-34	3	65	163	45	2	T1
951-000-33	1	38	98	32	2	R1
952-000-33	2	51	118	33	2	R1
953-000-33	3	65	163	45	2	R1

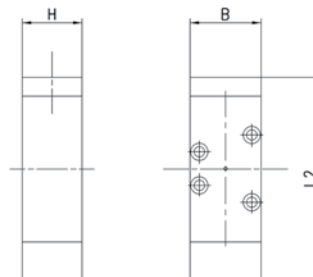
5/3-way valve, ISO 1, 2, 3, monostable, with stable central position



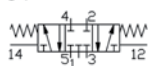
The Series 9 valves with ISO interface, size 1, 2 and 3, are available with pneumatic actuation and central resetting by a spring. There are two types of function:

- with closed centres
- with open centres

The following is supplied:
 1x interface seals
 4x fixing screws.



U1



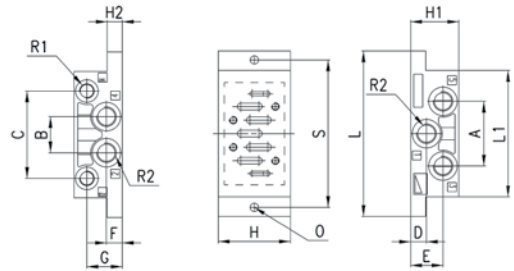
V1



DIMENSIONS

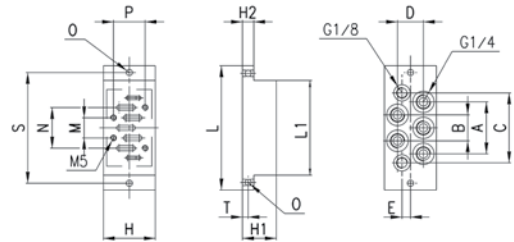
Mod.	Size ISO	B	L2	H	Min. operating pressure	Symbol
961-000-33	1	38	108	32	2,5	U1
962-000-33	2	51	128	33	2,5	U1
963-000-33	3	65	173	45	2,5	U1
971-000-33	1	38	108	32	2,5	V1
972-000-33	2	51	128	33	2,5	V1
973-000-33	3	65	173	45	2,5	V1

Single sub-base side outlets (VDMA 24345)



DIMENSIONS																	
Mod.	Size	A	B	C	D	E	F	G	H	H1	H2	L	L1	O	R1	R2	S
901-F1A	1	43	24	58	21.5	10.5	10.5	23.5	48	32	10	110	84	5.5	G1/8	G1/4	98
902-F2A	2	56	30	74	26	14	14	30	57	40	13	124	95	6.5	G1/8	G3/8	112
903-F3A	3	68	32	90	17	17	17	22	71	32	18	149	119	6.5	G1/8	G1/2	136

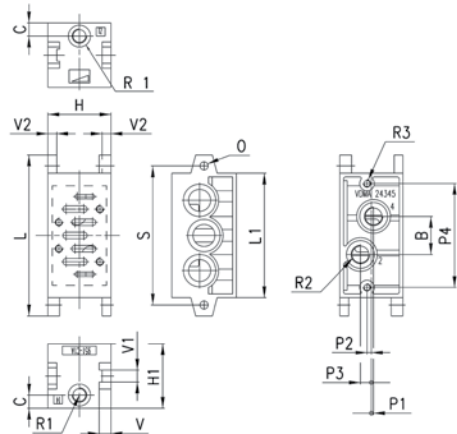
Single sub-base with rear outlets (VDMA 24345)



DIMENSIONS																				
Mod.	Size	A	B	C	D	E	H	H1	H2	L	L1	M	N	O	P	R	R1	R2	S	T
901-G1A	1	46	23	61	23	7.5	46	30	10	110	84	18	36	5.5	28	M5	G1/8	G1/4	98	5
902-G2A	2	56	28	72	28	8	56	35	13	124	95	24	48	6.5	38	M6	G1/8	G3/8	112	6.5
903-G3A	3	68	34	90	34	10	71	32	18	149	119	32	64	6.5	48	M8	G1/8	G1/2	136	9

Manifold sub-base with com. exhausts and inlet (VDMA 24345)

The following is supplied:
 2x fixing screws
 3x O-ring



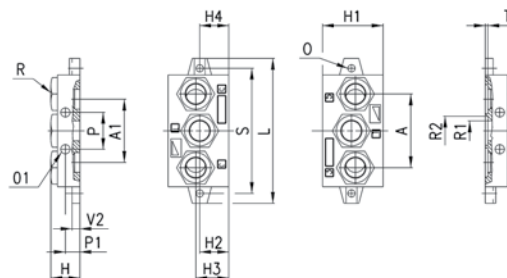
DIMENSIONS																			
Mod.	Size	B	C	H	H1	L	L1	O	P1	P2	P3	P4	R1	R2	R3	S	V	V1	V2
901-C1A	1	26	8.5	43	44	110	85	5.5	1.5	3	7.5	71	G1/8	G1/4	M5	95	8	8	6
902-C2A	2	30	9	56	45	135	100	6.5	5	3	6	86	G1/8	G3/8	M6	115	11	11	8
903-C3A	3	38	10	71	54	190	140	9	6	3	8	130	G1/8	G1/2	M8	168	13	13	8

Note: complete with fixing screws and O-ring.

End block for manifold sub-base (VDMA 24345)



The following is supplied:
 2x end blocks (1 pair)
 2x fixing screws
 3x OR



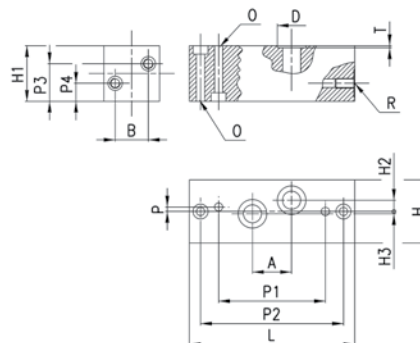
DIMENSIONS

Mod.	Size	A	A1	H	H1	H2	H3	H4	L	O	O1	P	P1	R	ØR1	ØR2	S	T	V2
901-H1	1	56	48	22	46	22	25	22	110	5,5	7	28	11	G3/8	15	22,1	95	2	6
902-H2	2	68	63	26	47	23	25	24	135	6,5	9	35	13	G1/2	18,5	28,7	115	2	8
903-H3	3	104	94	30	56	22	25	25	190	9	12	52	15	G1	28	38	168	2,7	8

End block with front outlets (VDMA 24345)



The following is supplied:
 2x fixing screws
 2x OR



DIMENSIONS

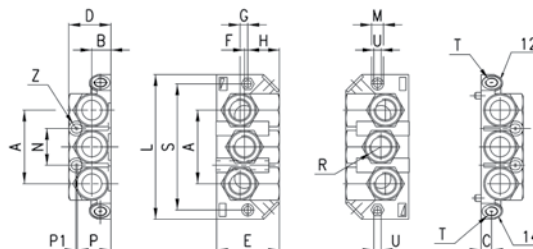
Mod.	Size	A	B	D	H	H1	H2	H3	L	O	P	P1	P2	P3	P4	R	T
901-N1	1	26	22	19	42	37	7.5	1.5	110	5.5	3	71	95	25	12	G1/4	1.4
902-N2	2	30	29	23	55	40	6	5	135	6.5	3	86	115	26	14	G3/8	1.4
903-N3	3	38	36	27	70	45	8	6	190	9	3	130	168	29	17	G1/2	1.4

Note: complete with fixing screws and O-ring.

End blocks for manifold bases with front outlets



The following is supplied:
 2x end blocks (1 pair)
 2x fixing screws
 3x OR



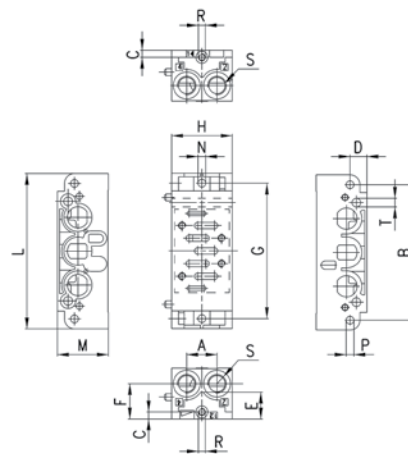
DIMENSIONS

Mod.	Size	A	B	C	D	E	F	G	H	L	M	N	P	P1	R	S	T	U	Z
901-HN1	1	56	14.5	8	32	48	2.5	6	24	110	9	28	25.5	1	3/8"	96	G1/8	5.5	3.5

Note: complete with fixing screws and O-ring.

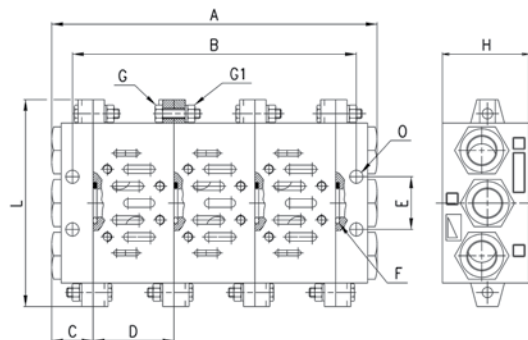
Manifold bases with comm. inlet and exhaust ports and front outlet

The following is supplied:
 2x fixing screws
 3x OR



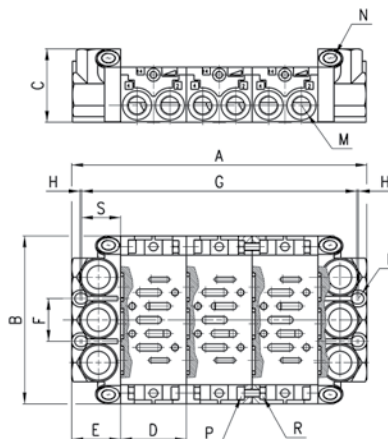
DIMENSIONS																
Mod.	Size	A	B	C	D	E	F	G	H	L	M	N	P	R	S	T
901-N1A	1	21.5	96	5	12	19	25	96	43	110	36	5.5	5.5	M5	G1/4	6.2

Assembly of manifold sub-base (VDMA 24345)



DIMENSIONS													
Size	A	B	C	D	E	F	OR	UNI 5739 G	UNI 57588 G1	H	L	O	
1	n°D+2C	n°D+C	22	43	28	3068	M5X20	M5	46	110	7		
2	n°D+2C	n°D+C	26	56	35	3093	M6X25	M6	47	135	9		
3	n°D+2C	n°D+C	30	71	52	4125	M8X25	M8	56	190	12		

Assembly for front outlet manifold sub-bases

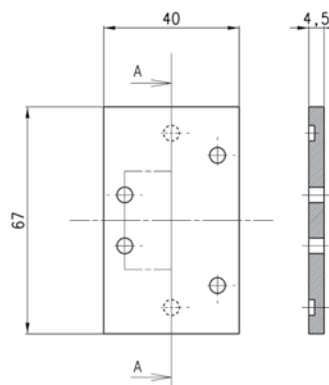


DIMENSIONS														
Size	A	B	C	D	E	F	G	H	L	M	N	UNI 5931 P.	UNI 5588 R	S
1	N° D+2E	110	48	43	32	28	n°D+25	1	3,5	G1/4	G1/8	M5X14	M5	25,5

Cover plate for unused positions Mod. 901-TP

The following is supplied:

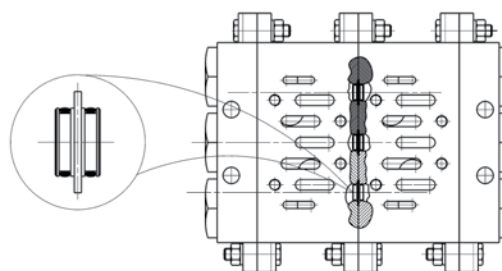
- 1x seal
- 4x screws



Mod.
901-TP

Mounting example Mod. 901-C1A/TP and Mod. 902-C2A/TP

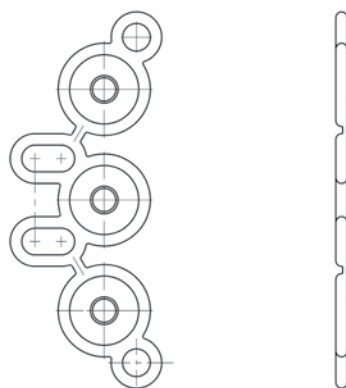
Separation tap lines 1/3/5 to be used with manifold type 901C - 902C.



Mod.
901-C1A-TP
902-C2A-TP

Separation joint Mod. 901-N1A/T

Separation joint to be used with manifold type 901N. P-R-S plugged.

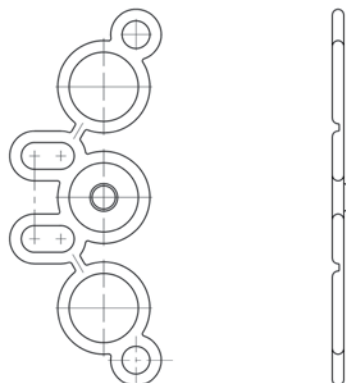


1/3/5 plugged

Mod.
901-N1A / T

Separation joint Mod. 901-N1A/TP

Separation joint to be used with manifold type 901N. P plugged.



1 plugged

Mod.
901-N1A / TP