

# YORK® Check Valve

## VOCI DI CAPITOLATO - TECHNICAL FEATURES

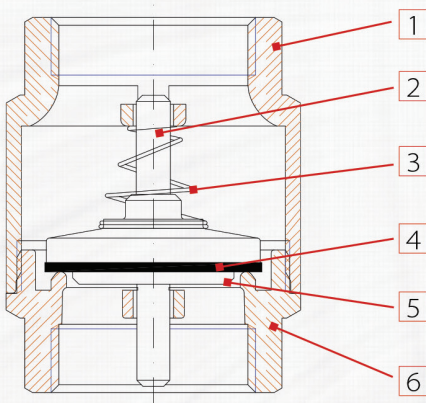


Corpo in ottone.  
 Piattello in nylon.  
 Tenuta in NBR.  
 Molla in acciaio inox.  
 Temperature minima e massima di esercizio: -20°C, 100°C.  
 Attacchi filettati ISO228 (equivalente a DIN EN ISO 228 e BS EN ISO 228).

*Body in brass.  
 Plate in nylon.  
 Seal in NBR.  
 Spring in stainless steel.  
 Minimum and maximum working temperatures: -20°C, 100°C.  
 Threads: ISO228 (equivalent to DIN EN ISO 228 and BE EN ISO 228).*

MISURA/SIZE	3/8" (DN 10)	1/2" (DN 15)	3/4" (DN 20)	1" (DN 25)	1 1/4" (DN 32)	1 1/2" (DN 40)	2" (DN 50)	2 1/2" (DN 65)	3" (DN 80)	4" (DN 100)
PRESSIONE/PRESSURE	12bar/174psi	12bar/174psi	12bar/174psi	12bar/174psi	10bar/145psi	10bar/145psi	10bar/145psi	8bar/116psi	8bar/116psi	8bar/116psi
CODICE/CODE	1030038	1030012	1030034	1030100	1030114	1030112	1030200	1030212	1030300	1030400
IMBALLO/PACKING	10/240	10/240	8/152	8/112	6/78	4/52	2/36	1/24	1/16	1/11

## SCHEDA MATERIALI - MATERIALS



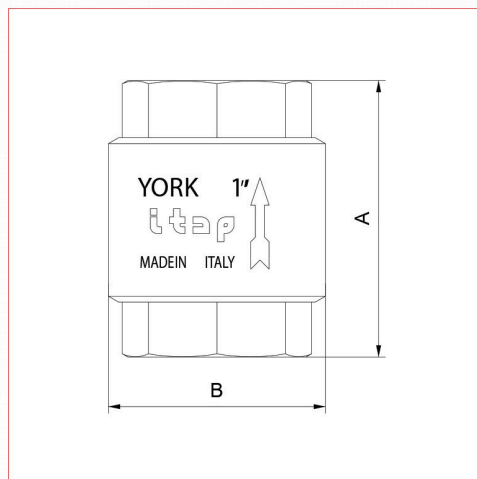
POS.	DESCRIZIONE/DESCRIPTION	Q.TÀ/N.	MATERIALE/MATERIAL
1	Corpo/ Body	1	Ottone stampato/ Hot pressed brass CW617N
2	Perno/ Pin	1	Nylon
3	Molla/ Spring	1	Acciaio/ AISI 302
4	Guarnizione/ Washer	1	NBR
5	Tappo/ Plug	1	Nylon
6	Manicotto/ End adapter	1	Ottone stampato/ Hot pressed brass CW617N

## Certificazioni- Certifications



# YORK® Check Valve

## QUOTE DI INGOMBRO - DRAWING



MISURE / SIZE	3/8"	1/2"	3/4"	1"	1"1/4	1"1/2	2"	2"1/2	3"	4"
A (mm)	46,5	47	53	60,5	66,5	74	80	98	103	118,5
B (mm)	34,5	34,5	42	47,5	59,5	71	86,5	102	125	155
PRESS. ATMOSF. / WORK. PRESS. Kg/cm <sup>2</sup> - bar	12	12	12	12	10	10	10	8	8	8
PRESS. ATMOSF. PSI LBS WORK. PRESS	170	170	170	170	140	140	140	110	110	110

## INSTALLAZIONE - MANUFACTURER'S INSTRUCTIONS

### Installazione

Le valvole YORK® sono unidirezionali; permettono cioè il passaggio del fluido in una sola direzione, esse vanno quindi montate in modo che la freccia sul corpo sia nella stessa direzione del fluido. Le valvole sono composte da una molla, un valvolina e due parti di ottone, corpo e manicotto, che le contengono e che sono assemblate fra loro tramite una filettatura e sigillate tramite apposito frena-filetti. Per evitare che lo strato di frena-filetti si rompa e quindi che la valvola perda dall'accoppiamento corpo-manicotto, bisogna evitare di sottoporre le due parti a momenti torcenti. Per la loro installazione vanno utilizzate le normali pratiche idrauliche, ed in particolare:

- assicurarsi che le due tubature siano correttamente allineate;
- durante il montaggio applicare la chiave all'estremità della valvola più vicina al tubo;
- l'applicazione del materiale di fissaggio (teflon, canapa) deve essere limitato alla zona del filetto, un eccesso potrebbe interferire nella zona di tenuta gomma-metallo pregiudicando la funzionalità della valvola;
- nel caso in cui il fluido presenti delle impurità (sporco, polvere, eccessiva durezza dell'acqua) queste vanno rimosse o filtrate perché potrebbero interferire nella zona di tenuta gomma-metallo pregiudicando la funzionalità della valvola.

### Disinstallazione

Per la disinstallazione della valvola dalla linea o comunque prima di svitare le giunzioni ad essa collegate: indossare gli indumenti protettivi normalmente richiesti per lavorare con il fluido contenuto nella linea; depressurizzare la linea; durante lo smontaggio applicare la chiave all'estremità della valvola più vicina al tubo.

### Manutenzione

Verificare la valvola periodicamente, in funzione dell'utilizzo e delle condizioni di lavoro, per assicurarsi che funzioni correttamente. In caso ci siano delle perdite in corrispondenza della tenuta, queste possono essere causate dal deposito di qualche corpo estraneo (sporco, calcare) sulla tenuta in gomma. Per rimediare a questo inconveniente, smontare la valvola e rimuovere il corpo estraneo tramite aria compressa o utensili.

### Installation

The YORK® check valves are uni-directional; in the sense that they manage the flow in one direction only, which is indicated by the arrow on the body. The valves are composed by a spring, a little valve and a couple of parts made of brass (body and end-adapter) which contain them and that are assembled by means of thread and a sealed material to obtain their aim. In order to avoid that the sealed material gets broken and then the valve loses the connection between the body and the end-adapter, it's necessary to avoid to submit the two parts under the influence of a torque. For the installation normal hydraulic practices must be used, and especially:

- The installer has to be sure that the two pipes are correctly aligned;
- During the assembling process the installer has to apply its assembling tools at the end that is nearest to the pipe;
- The application of the sealing materials by the fitter (teflon or hempen cloth) must be limited at the thread zone. An excess should interfere in the ball gas get's closure zone, compromising the tightness;
- In case the fluid transported has got some impurities (dust, too hard water, and so on) it's necessary to remove impurities by or filter them, otherwise they could damage the seal.

### Disassembly the installed valve

To remove the valve from the pipe line or anyhow before unscrewing the connections linked:

- Wear the protective clothing normally required to work with carried fluids;
- Take the pressure inside the line out;
- During the disassembling process, apply the key at the end of the valve, the one nearest the pipe

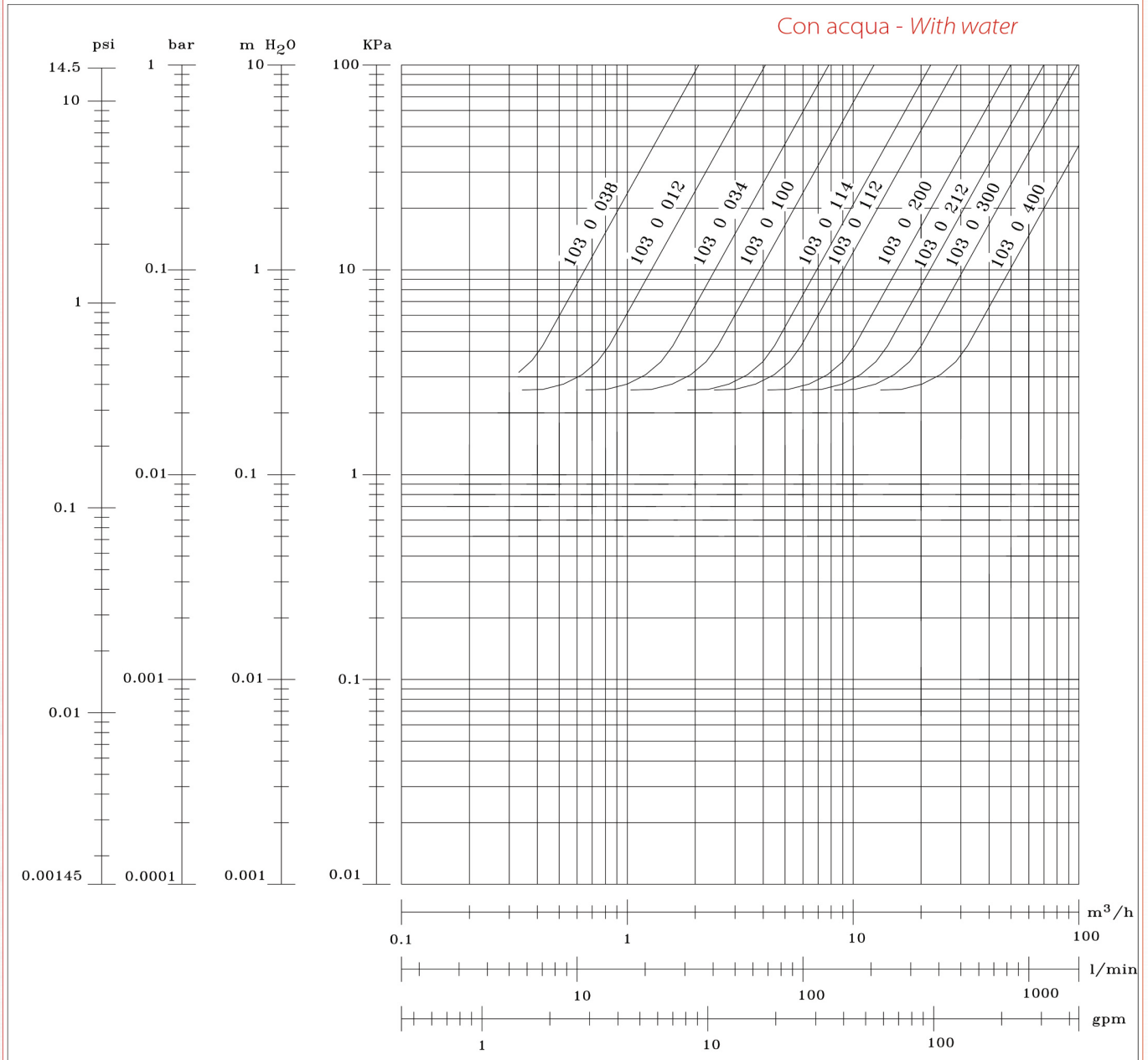
### Maintenance

Verify the valve periodically, according to its application's field and its work's field and its work's conditions, in order to be sure that the valve works correctly. In case of losses of tightening, take note that these can be caused by a deposit of foreign bodies (dirty, calcareous) on the rubber seal. In order to solve this inconvenient, it's necessary to unmount the valve and remove the foreign body with compressed air tools.

# YORK® Check Valve

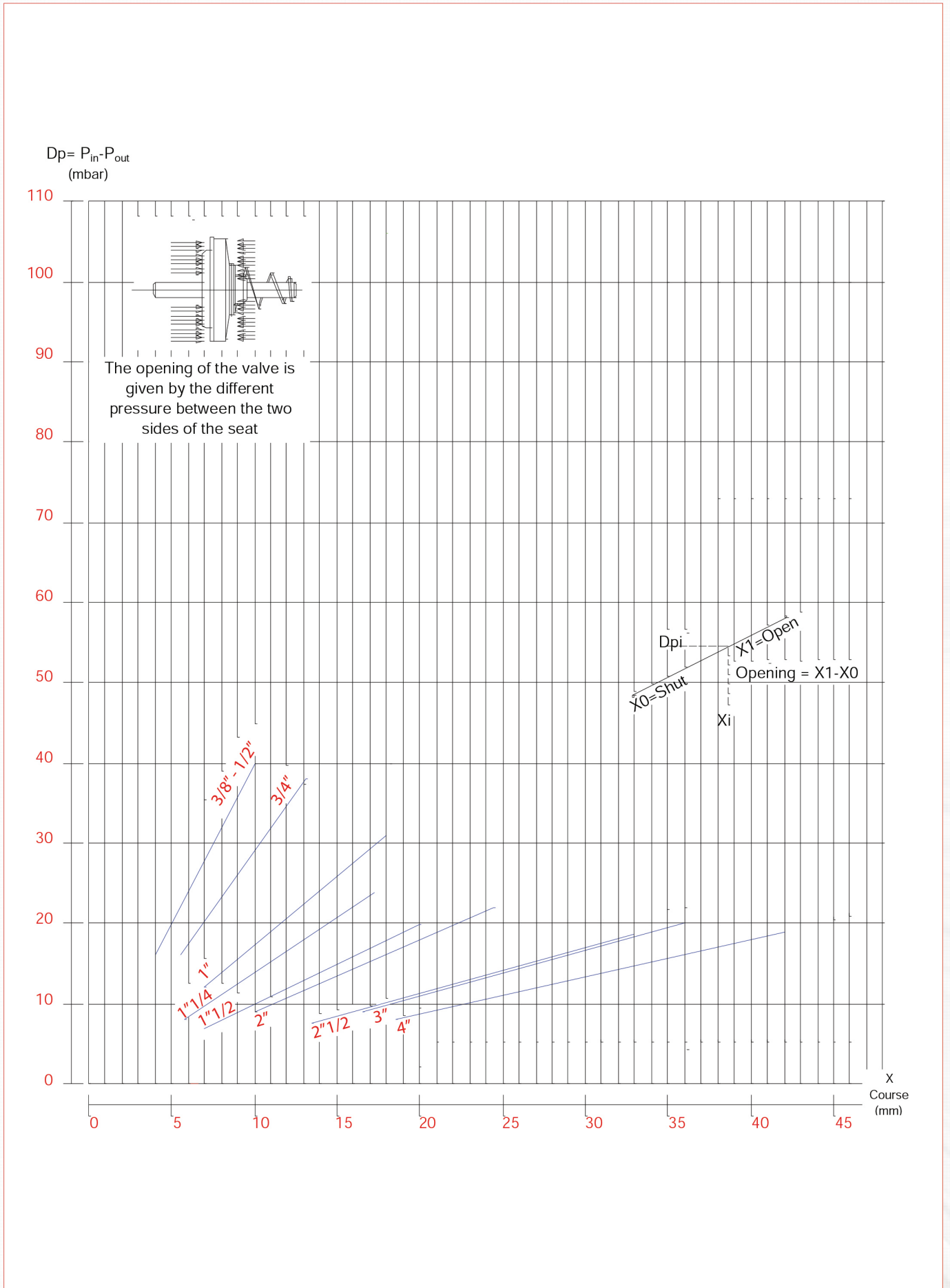
## DIAGRAMMA PERDITE DI CARICO - LOSS DIAGRAM

MISURE / SIZE	3/8"	1/2"	3/4"	1"	1 1/4"	1 1/2"	2"	2 1/2"	3"	4"
Kv	2,11	4,22	7,92	11,67	22,42	29,39	51,40	69,90	98,49	157,91



# YORK® Check Valve

DIAGRAMMA APERTURA VALVOLA - *DIAGRAM MINIMUM PRESSURE TO GET THE VALVES OPENING*



# YORK® Foot Valve

## VOCI DI CAPITOLATO - TECHNICAL FEATURES

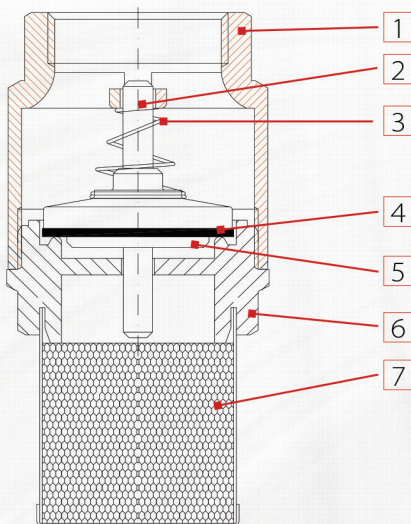


Corpo in ottone.  
 Piattello in acciaio inox.  
 Tenuta in NBR.  
 Molla in acciaio inox.  
 Filtro in nylon e acciaio inox.  
 Grado di filtrazione: da 3/8" a 2": 1200 µm; da 2"1/2 a 4": 2000 µm.  
 Temperature minima e massima di esercizio: -20°C, 100°C.  
 Attacchi filettati ISO228 (equivalente a DIN EN ISO 228 e BS EN ISO 228).

*Body in brass.  
 Plate in nylon.  
 Seal in NBR.  
 Spring in stainless steel.  
 Strainer in nylon and stainless steel.  
 Filtration degree: 3/8" through 2": 1200 µm; 2"1/2 through 4": 2000 µm.  
 Minimum and maximum working temperatures: -20°C, 100°C.  
 Threads: ISO228 (equivalent to DIN EN ISO 228 and BE EN ISO 228).*

MISURA/SIZE	3/8" (DN 10)	1/2" (DN 15)	3/4" (DN 20)	1" (DN 25)	1"1/4 (DN 32)	1"1/2 (DN 40)	2" (DN 50)	2"1/2 (DN 65)	3" (DN 80)	4" (DN 100)
PRESSIONE/PRESSURE	10bar/145psi	10bar/145psi	10bar/145psi	10bar/145psi	8bar/116psi	8bar/116psi	8bar/116psi	6bar/87psi	6bar/87psi	6bar/87psi
CODICE/CODE	1080038	1080012	1080034	1080100	1080114	1080112	1080200	1080212	1080300	1080400
IMBALLO/PACKING	10/280	10/280	8/232	8/160	6/102	4/72	2/48	1/30	1/20	1/10

## SCHEDA MATERIALI - MATERIALS



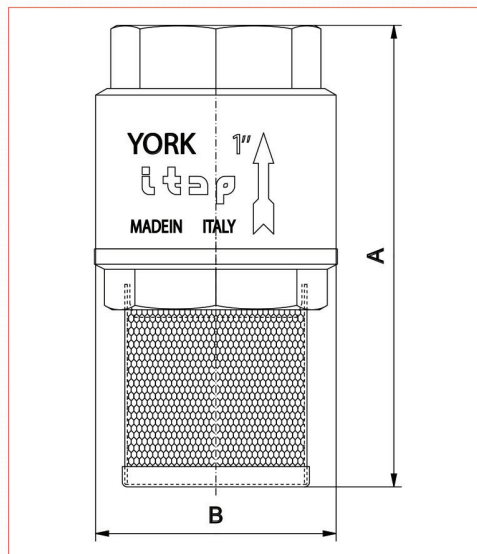
POS.	DESCRIZIONE/DESCRIPTION	Q.TÀ/N.	MATERIALE/MATERIAL
1	Corpo/ Body	1	Ottone stampato/ Hot pressed brass CW617N
2	Perno/ Pin	1	Nylon
3	Molla/ Spring	1	Acciaio/ AISI 302
4	Guarnizione/ Washer	1	NBR
5	Tappo/ Plug	1	Nylon
6	Manicotto/ End adapter	1	Nylon
7	Filtro/ Strainer	1	Acciaio/ AISI 304

## Certificazioni- Certifications



# YORK® Foot Valve

QUOTE DI INGOMBRO - *DRAWING*



MISURE / SIZE	3/8"	1/2"	3/4"	1"	1"1/4	1"1/2	2"	2"1/2	3"	4"
A (mm)	69,5	69,5	82	91,5	108	119	136,5	164,5	184,5	214,5
B (mm)	34,5	34,5	42	47,5	59,5	71	86,5	102	125	155
PRESS. ATMOSF. / WORK. PRESS. Kg/cm <sup>2</sup> - bar	10	10	10	10	8	8	8	6	6	6
PRESS. ATMOSF. PSI LBS WORK. PRESS	140	140	140	140	110	110	110	90	90	90

## INSTALLAZIONE - *MANUFACTURER'S INSTRUCTIONS*

### Installazione

Le valvole YORK® sono unidirezionali; permettono cioè il passaggio del fluido in una sola direzione, esse vanno quindi montate in modo che la freccia sul corpo sia nella stessa direzione del fluido. Le valvole sono composte da una molla, un valvolina e due parti di ottone, corpo e manicotto, che le contengono e che sono assemblate fra loro tramite una filettatura e sigillate tramite apposito frena-filetti. Per evitare che lo strato di frena-filetti si rompa e quindi che la valvola perda dall'accoppiamento corpo-manicotto, bisogna evitare di sottoporre le due parti a momenti torcenti. Per la loro installazione vanno utilizzate le normali pratiche idrauliche, ed in particolare:

- assicurarsi che le due tubature siano correttamente allineate;
- durante il montaggio applicare la chiave all'estremità della valvola più vicina al tubo;
- l'applicazione del materiale di fissaggio (teflon, canapa) deve essere limitato alla zona del filetto, un eccesso potrebbe interferire nella zona di tenuta gomma-metallo pregiudicando la funzionalità della valvola;
- nel caso in cui il fluido presenti delle impurità (sporco, polvere, eccessiva durezza dell'acqua) queste vanno rimosse o filtrate perché potrebbero interferire nella zona di tenuta gomma-metallo pregiudicando la funzionalità della valvola.

### Disinstallazione

Per la disinstallazione della valvola dalla linea o comunque prima di svitare le giunzioni ad essa collegate: indossare gli indumenti protettivi normalmente richiesti per lavorare con il fluido contenuto nella linea; depressurizzare la linea; durante lo smontaggio applicare la chiave all'estremità della valvola più vicina al tubo.

### Manutenzione

Verificare la valvola periodicamente, in funzione dell'utilizzo e delle condizioni di lavoro, per assicurarsi che funzioni correttamente. In caso ci siano delle perdite in corrispondenza della tenuta, queste possono essere causate dal deposito di qualche corpo estraneo (sporco, calcare) sulla tenuta in gomma. Per rimediare a questo inconveniente, smontare la valvola e rimuovere il corpo estraneo tramite aria compressa o utensili.

### Installation

The YORK® check valves are uni-directional; in the sense that they manage the flow in one direction only, which is indicated by the arrow on the body. The valves are composed by a spring, a little valve and a couple of parts made of brass (body and end-adapter) which contain them and that are assembled by means of thread and a sealed material to obtain their aim. In order to avoid that the sealed material gets broken and then the valve loses the connection between the body and the end-adapter, it's necessary to avoid to submit the two parts under the influence of a torque. For the installation normal hydraulic practices must be used, and especially:

- The installer has to be sure that the two pipes are correctly aligned;
- During the assembling process the installer has to apply its assembling tools at the end that is nearest to the pipe;
- The application of the sealing materials by the fitter (teflon or hempen cloth) must be limited at the thread zone. An excess should interfere in the ball gas get's closure zone, compromising the tightness;
- In case the fluid transported has got some impurities (dust, too hard water, and so on) it's necessary to remove impurities by or filter them, otherwise they could damage the seal.

### Disassembly the installed valve

To remove the valve from the pipe line or anyhow before unscrewing the connections linked:

- Wear the protective clothing normally required to work with carried fluids;
- Take the pressure inside the line out;
- During the disassembling process, apply the key at the end of the valve, the one nearest the pipe

### Maintenance

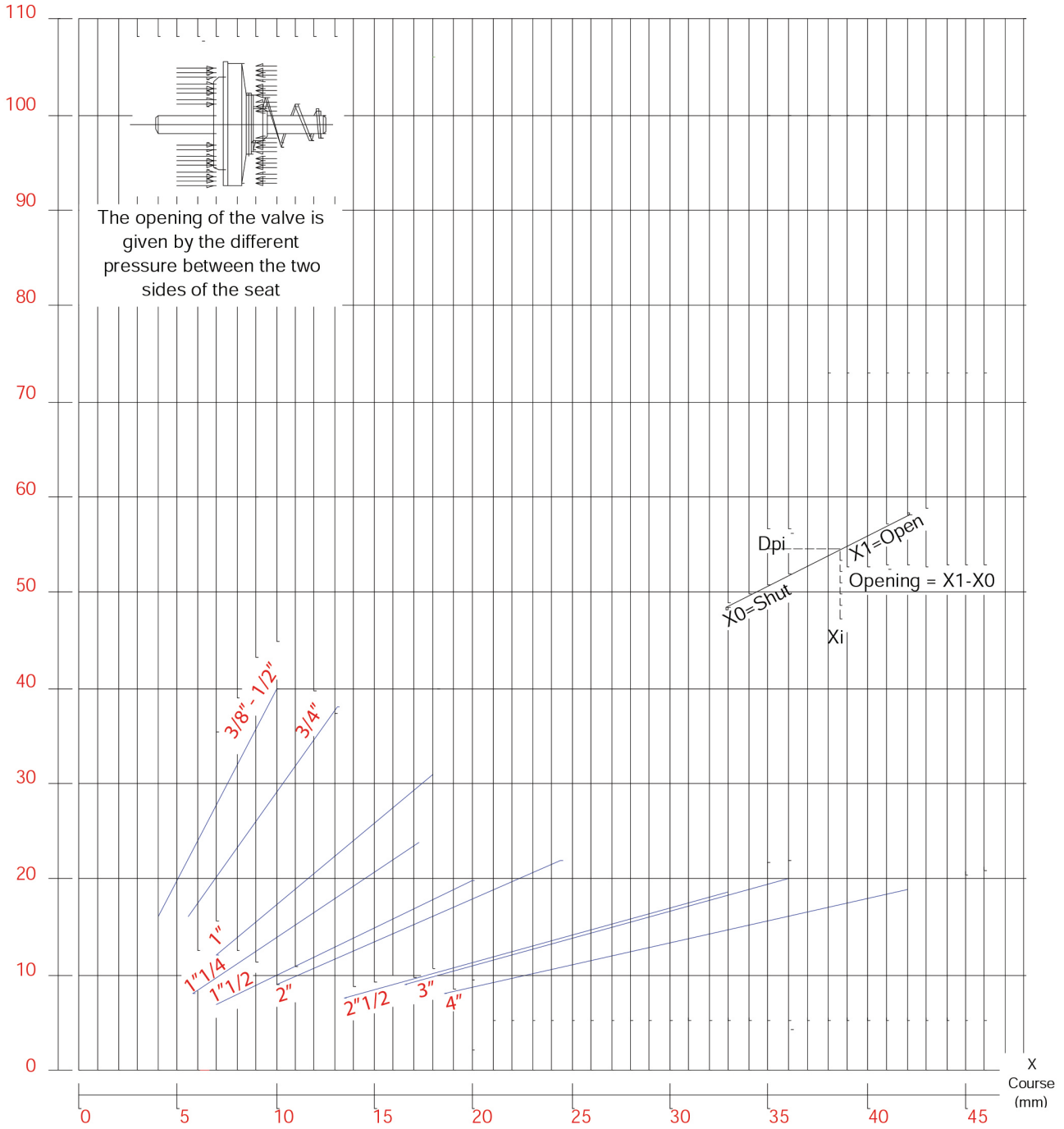
Verify the valve periodically, according to its application's field and its work's field and its work's conditions, in order to be sure that the valve works correctly. In case of losses of tightening, take note that these can be caused by a deposit of foreign bodies (dirty, calcareous) on the rubber seal. In order to solve this inconvenient, it's necessary to unmount the valve and remove the foreign body with compressed air tools.

# YORK® Foot Valve

DIAGRAMMA APERTURA VALVOLA - *DIAGRAM MINIMUM PRESSURE TO GET THE VALVES OPENING*

$$Dp = P_{in} - P_{out}$$

(mbar)



# Europa® Check and Foot Valves

---



EUROPA®  
CHECK AND  
FOOT VALVES

SUITABLE FOR DOMESTIC  
WATER SERVICES,  
HEATING AND AIR-  
CONDITIONING PLANTS,  
COMPRESSED AIR  
SYSTEMS.

THEY CAN BE INSTALLED  
IN ANY POSITION:  
VERTICAL,  
HORIZONTAL,  
OBLIQUE.



# Europa® Check and Foot Valves

## 100

EUROPA®  
CHECK VALVE



SIZE	PRESSURE	CODE	PACKING
3/8" (DN 10)	25bar/362.5psi	1000038	10/130
1/2" (DN 15)	25bar/362.5psi	1000012	10/120
3/4" (DN 20)	25bar/362.5psi	1000034	8/88
1" (DN 25)	25bar/362.5psi	1000100	6/54
1 1/4" (DN 32)	18bar/261psi	1000114	4/36
1 1/2" (DN 40)	18bar/261psi	1000112	4/32
2" (DN 50)	18bar/261psi	1000200	2/20
2 1/2" (DN 65)	12bar/174psi	1000212	1/9
3" (DN 80)	12bar/174psi	1000300	1/6
4" (DN 100)	12bar/174psi	1000400	1/4

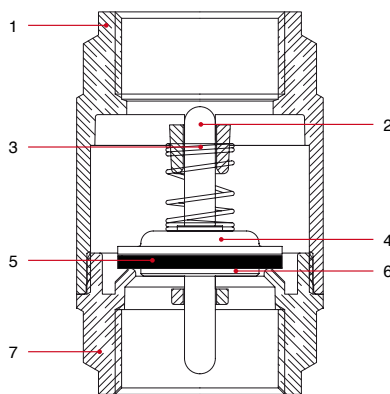
### TECHNICAL SPECIFICATIONS

Body in brass.  
Plate in stainless steel.  
Washer in NBR.  
Spring in stainless steel.  
Minimum and maximum working temperatures: -20°C, 100°C.  
Threads: ISO228 (equivalent to DIN EN ISO 228 and BS EN ISO 228).  
Available also with NPT thread in the sizes from 1/2" to 4".

### CERTIFICATIONS



### MATERIALS



POS.	DESCRIPTION	N.	MATERIAL
1	Body	1	Brass CW617N
2	Pin	1	Brass CW614N
3	Spring	1	Stainless steel AISI 302
4	Plate	1	Stainless steel AISI 304
5	Washer	1	NBR
6	Plug	1	Brass CW614N
7	End adapter	1	Brass CW617N

# Europa® Check and Foot Valves

## OVERALL DIMENSIONS



	3/8"	1/2"	3/4"	1"	1 1/4"	1 1/2"	2"	2 1/2"	3"	4"
DN	10	15	20	25	32	40	50	65	80	100
A	55	58,5	65	74,5	83	93	101	122	141,5	158,5
B	34,5	34,5	41,5	48	60,5	71	87	120	140	172
Kg/cm <sup>2</sup> bar	25	25	25	25	18	18	18	12	12	12
LBS - psi	362,5	362,5	362,5	362,5	261	261	261	174	174	174

## MANUFACTURER INSTRUCTIONS

### Installation

The EUROPA® check valves are uni-directional; that means they manage the flow in one direction only, which is indicated by the arrow on the body. The valves are composed by a spring, a little valve and a couple of parts made of brass (body and end-adapter) which contain them and that are assembled but means of thread and a sealed material to obtain their aim. In order to avoid that the sealed material gets broken and then the valve loses the connection between the body and the end-adapter, it's necessary to avoid to submit the two parts under the influence of a torque. For the installation normal hydraulic practices must be used, and especially:

- For a proper installation of the valve, near curves and circulation pumps, the valve must be mounted at a distance equal to 10 times the diameter of the pipe;
- The installer has to be sure that the two pipes are correctly aligned;
- During the assembling process the installer has to apply its assembling tools at the end that is nearest to the pipe;
- The application of the sealing materials by the fitter (PTFE or hempen cloth) must be limited at the thread zone. An excess should interfere in the ball gasket's closure zone, compromising the tightness;
- In case the fluid transported has got some impurities (dust, too hard water, and so on) it's necessary to remove impurities by or filter them, otherwise they could damage the seal.

### Disassembly the installed valve

To remove the valve from the pipe line or anyhow before unscrewing the connections linked:

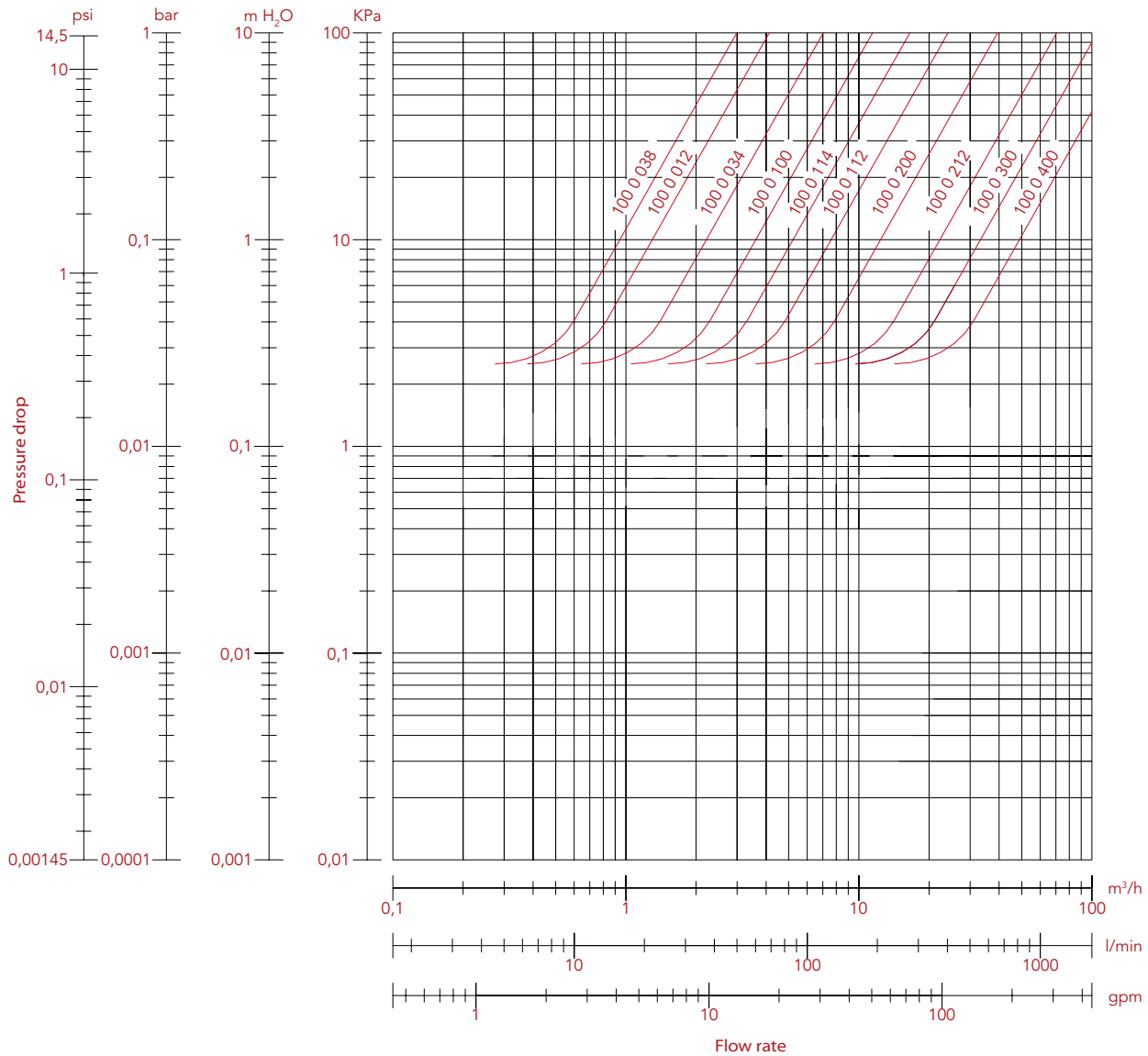
- Wear the protective clothing normally required to work with carried fluids;
- Depressurize the line;
- During the disassembling process, apply the key at the end of the valve, the one nearest the pipe

### Maintenance

Verify the valve periodically, according to its application's field and its works' field and its work's conditions, in order to be sure that the valve works correctly. In case of losses of tightening, take note that these can be caused by a deposit of foreign bodies (dirty, calcareous) on the rubber seal. In order to solve this inconvenient, it's necessary to unmount the valve and remove the foreign body with compressed air tools.

# Europa® Check and Foot Valves

## FLOW RATE AND PRESSURE DROP CHART WITH WATER

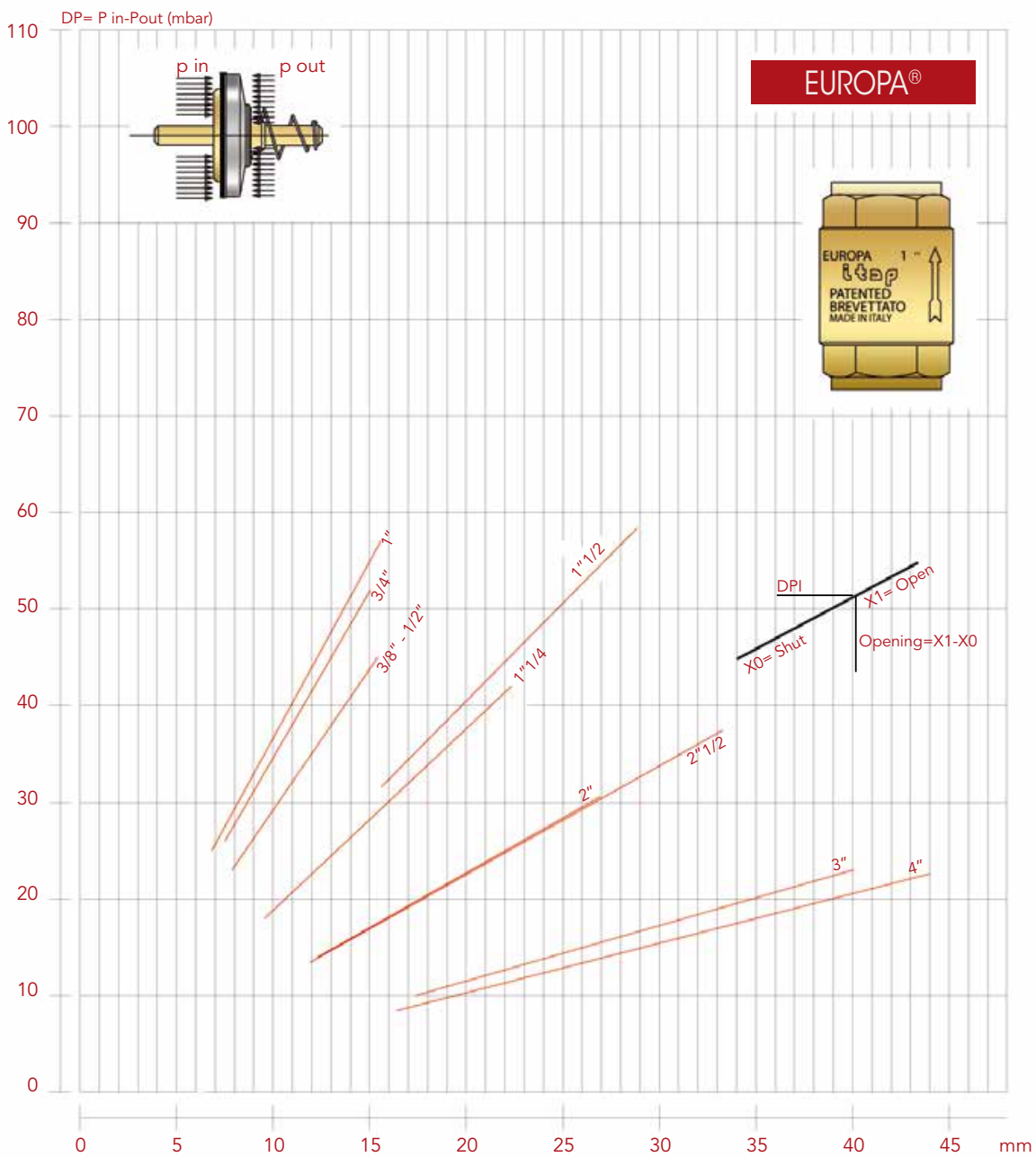


SIZE	3/8"	1/2"	3/4"	1"	1 1/4"	1 1/2"	2"	2 1/2"	3"	4"
Kv	2.99	4.12	7.03	11.45	16.54	24.12	39.32	70.64	105.60	155.30

Dates given by laboratory CETIM accredited by RNE

# Europa® Check and Foot Valves

## DIAGRAM MINIMUM PRESSURE TO GET THE VALVES OPENING



# Europa® Check and Foot Valves

## 105

EUROPA®  
FOOT VALVE



SIZE	PRESSURE	CODE	PACKING
3/8" (DN 10)	25bar/362.5psi	1050038	8/120
1/2" (DN 15)	25bar/362.5psi	1050012	8/120
3/4" (DN 20)	25bar/362.5psi	1050034	6/90
1" (DN 25)	25bar/362.5psi	1050100	4/60
1 1/4" (DN 32)	18bar/261psi	1050114	4/32
1 1/2" (DN 40)	18bar/261psi	1050112	2/26
2" (DN 50)	18bar/261psi	1050200	2/14
2 1/2" (DN 65)	12bar/174psi	1050212	1/6
3" (DN 80)	12bar/174psi	1050300	1/5
4" (DN 100)	12bar/174psi	1050400	1/3

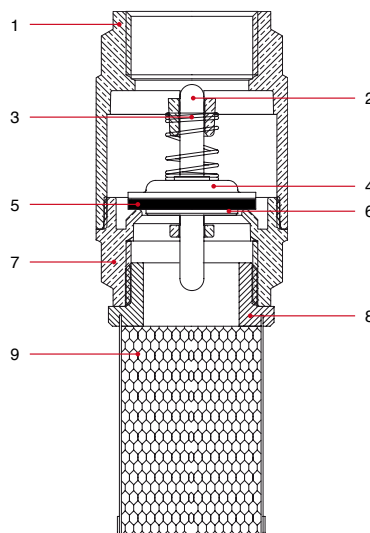
### TECHNICAL SPECIFICATIONS

Body in brass.  
 Plate in stainless steel.  
 Washer in NBR.  
 Spring in stainless steel.  
 Strainer in polymer and stainless steel.  
 Filtration degree: 3/8" through 2": 1200µm; from 2 1/2" to 4": 2000µm.  
 Minimum and maximum working temperatures: -20°C, 100°C.  
 Threads: ISO228 (equivalent to DIN EN ISO 228 and BS EN ISO 228).  
 Available also with NPT thread in the sizes 2 1/2", 3" e 4".

### CERTIFICATIONS



### MATERIALS



POS.	DESCRIPTION	N.	MATERIAL
1	Body	1	Brass CW617N
2	Pin	1	Brass CW614N
3	Spring	1	Stainless steel AISI 302
4	Plate	1	Stainless steel AISI 304
5	Washer	1	NBR
6	Plug	1	Brass CW614N
7	End adapter	1	Brass CW617N
8	End adapter	1	Polymer
9	Strainer	1	Stainless steel AISI 304

# Europa® Check and Foot Valves

## OVERALL DIMENSIONS

	3/8" - 1/2" - 3/4" - 1" - 1 1/4" - 1 1/2" - 2"	2 1/2" - 3" - 4"
Filtration	μ 1200	μ 2000



	3/8"	1/2"	3/4"	1"	1 1/4"	1 1/2"	2"	2 1/2"	3"	4"
DN	10	15	20	25	32	40	50	65	80	100
A	90	97,5	114,5	133,5	147	165	187	230	264,5	297
B	34,5	34,5	41,5	48	60,5	71	87	120	140	172
Kg/cm² bar	25	25	25	25	18	18	18	12	12	12
LBS - psi	362,5	362,5	362,5	362,5	261	261	261	174	174	174

## MANUFACTURER INSTRUCTIONS

### Installation

The EUROPA® check valves are uni-directional; that means they manage the flow in one direction only, which is indicated by the arrow on the body. The valves are composed by a spring, a little valve and a couple of parts made of brass (body and end-adapter) which contain them and that are assembled but means of thread and a sealed material to obtain their aim. In order to avoid that the sealed material gets broken and then the valve loses the connection between the body and the end-adapter, it's necessary to avoid to submit the two parts under the influence of a torque. For the installation normal hydraulic practices must be used, and especially:

- For a proper installation of the valve, near curves and circulation pumps, the valve must be mounted at a distance equal to 10 times the diameter of the pipe;
- The installer has to be sure that the two pipes are correctly aligned;
- During the assembling process the installer has to apply its assembling tools at the end that is nearest to the pipe;
- The application of the sealing materials by the fitter (PTFE or hempen cloth) must be limited at the thread zone. An excess should interfere in the ball gasket's closure zone, compromising the tightness;
- In case the fluid transported has got some impurities (dust, too hard water, and so on) it's necessary to remove impurities by or filter them, otherwise they could damage the seal.

### Disassembly the installed valve

To remove the valve from the pipe line or anyhow before unscrewing the connections linked:

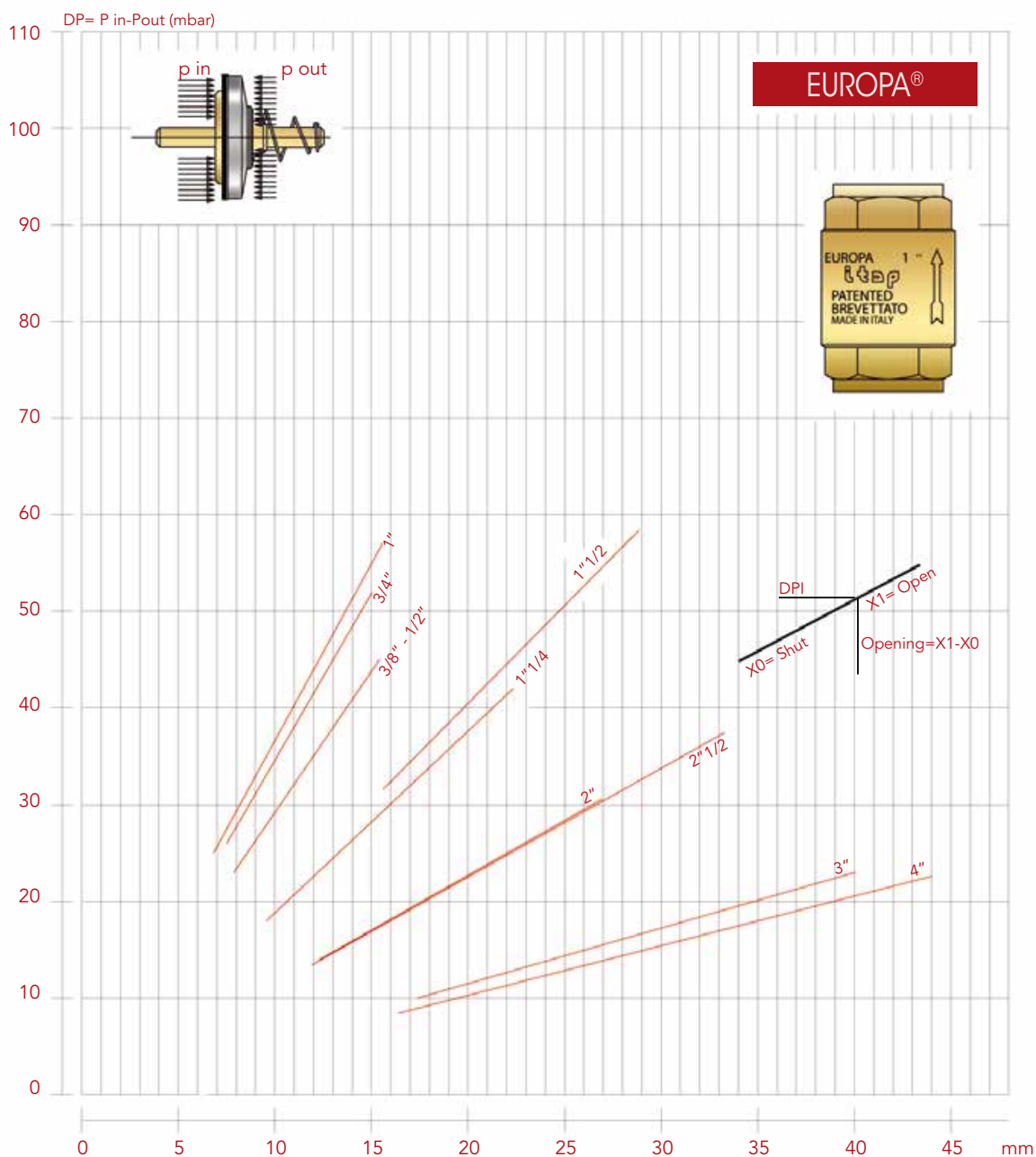
- Wear the protective clothing normally required to work with carried fluids;
- Depressurize the line;
- During the disassembling process, apply the key at the end of the valve, the one nearest the pipe

### Maintenance

Verify the valve periodically, according to its application's field and its works' field and its work's conditions, in order to be sure that the valve works correctly. In case of losses of tightening, take note that these can be caused by a deposit of foreign bodies (dirty, calcareous) on the rubber seal. In order to solve this inconvenient, it's necessary to unmount the valve and remove the foreign body with compressed air tools.

# Europa® Check and Foot Valves

## DIAGRAM MINIMUM PRESSURE TO GET THE VALVES OPENING



# Europa® Check and Foot Valves

## 102

STRAINER FOR  
EUROPA®, YORK®,  
ROMA®, BLOCK®  
CHECK VALVES



SIZE	CODE	PACKING
3/8" (DN 10)	1020038	30/1200
1/2" (DN 15)	1020012	30/900
3/4" (DN 20)	1020034	20/480
1" (DN 25)	1020100	20/280
1"1/4 (DN 32)	1020114	10/180
1"1/2 (DN 40)	1020112	10/140
2" (DN 50)	1020200	4/76
2"1/2 (DN 65)	1020212	1/62
3" (DN 80)	1020300	1/36
4" (DN 100)	1020400	1/20

### TECHNICAL SPECIFICATIONS

Filtration degree:

- 3/8" through 2": 1200µm;
- 2"1/2 through 4": 2000µm.

Strainer in stainless steel.

Threaded end in polymer.

Thread: ISO228 (equivalent to DIN EN ISO 228 and BS EN ISO 228).

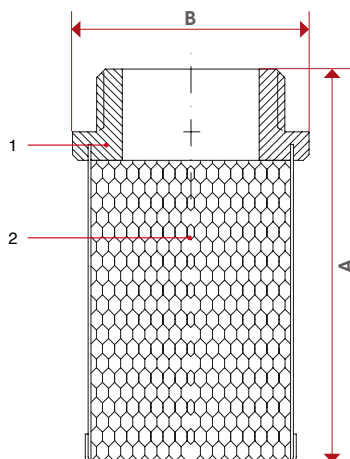
Available also with NPT thread in the sizes 2"1/2, 3" e 4".

### CERTIFICATIONS



### MATERIALS

### OVERALL DIMENSIONS



	3/8"	1/2"	3/4"	1"	1"1/4	1"1/2	2"	2"1/2	3"	4"
A	42	47	57,5	69	75	83	98	123	138	152,5
B	25,5	29,5	36	43,5	50,5	56,5	69	86	102	129

POS.	DESCRIPTION	N.	MATERIAL
1	End adapter	1	Polymer
2	Strainer	1	Stainless steel AISI 304



# Europa® Check and Foot Valves

## 107

STRAINER FOR  
EUROPA®, YORK®,  
ROMA®, BLOCK®  
CHECK VALVES



SIZE	CODE	PACKING
3/8" (DN 10)	1070038	50/1500
1/2" (DN 15)	1070012	40/1200
3/4" (DN 20)	1070034	35/840
1" (DN 25)	1070100	30/420
1 1/4" (DN 32)	1070114	20/280
1 1/2" (DN 40)	1070112	15/195
2" (DN 50)	1070200	8/112

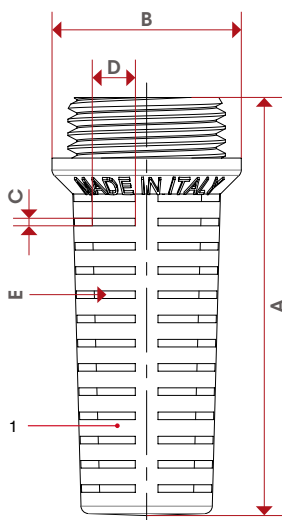
TECHNICAL  
SPECIFICATIONS

Strainer in polymer.  
Thread: ISO228 (equivalent to DIN EN ISO 228 and BS EN ISO 228).

CERTIFICATIONS



MATERIALS  
OVERALL  
DIMENSIONS



	3/8"	1/2"	3/4"	1"	1 1/4"	1 1/2"	2"
A	55,5	55	55,3	59	69,5	74	87,3
B	23	25	32	39	47	54	66
C	1	1	1	1	1	1	1
D	5,58	8,15	11,37	14,74	20,78	23,94	30,99
E (n°)	52	52	52	52	56	64	76
Filtraggio (μ)	1.000	1.000	1.000	1.000	1.000	1.000	1.000

POS.	DESCRIPTION	N.	MATERIAL
1	Strainer	1	Polymer