



CATALOGO TECNICO
TECHNICAL CATALOGUE

VALVOLE A SFERA : MINI
BALL VALVES : MINI



VOCI DI CAPITOLATO - TECHNICAL FEATURES



Attacchi filettati femmina/femmina.

Maniglia a **leva in nylon**.

Corpo in ottone cromato.

Temperatura minima e massima d'esercizio: 0°C, 90°C.

Attacchi filettati ISO 228

(equivalente a DIN EN ISO 228 e BS EN ISO 228).

Female/female threads.

Lever handle in nylon.

Body in chrome-plated brass.

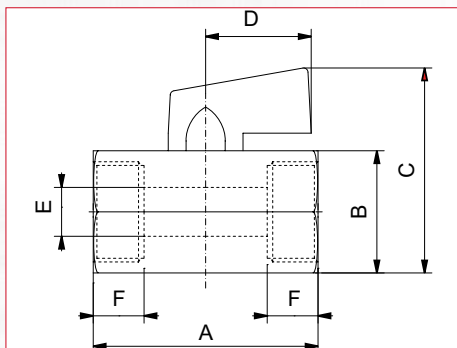
Minimum and maximum working temperatures: 0°C, 90°C.

Threads: ISO 228

(equivalent to DIN EN ISO 228 and BS EN ISO 228).

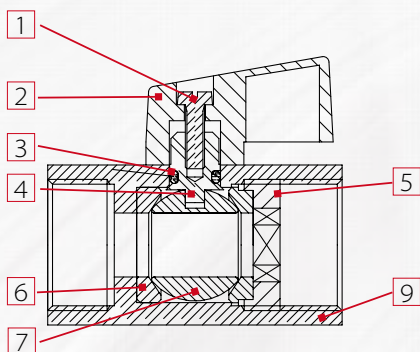
MISURA/SIZE	1/8"	1/4" (DN 8)	3/8" (DN 10)	1/2" (DN 15)	3/4" (DN 20)
PRESSIONE/PRESSURE	15bar/217.5psi	15bar/217.5psi	15bar/217.5psi	15bar/217.5psi	15bar/217.5psi
CODICE/CODE	1250018/N	1250014/N	1250038/N	1250012/N	1250034/N
IMBALLO/PACKING	20/340	20/340	20/340	20/240	15/180

QUOTE DI INGOMBRO - DRAWING



Part Code		IT125-14 IT125-14N	IT125-38 IT125-38N	IT125-12 IT125-12N	IT125-34 IT125-34N
SIZE	1/8"	1/4"	3/8"	1/2"	3/4"
DN	6	8	10	15	20
A (mm)	40	40	40	46	52
B (mm)	21	21	21	25	30
C (mm)	38	38	38	42	48
D (mm)	22	22	22	22	22
E (mm)	6	8	8	10	12
F (mm)	10	10	10	12	14
PRESS. ATMOS./WORK. PRESS. Kg/cm ² - bar	15	15	15	15	15
PRESS. ATMOSOF. PSI LBS WORK. PRESS.	220	220	220	220	220

SCHEDA MATERIALI - MATERIALS



POS.	DESCRIZIONE/DESCRIPTION	Q.TÀ/N.	MATERIALE/MATERIAL
1	Vite / Screw	1	Fe cromato / hard chrome-plated
2	Maniglia leva / Lever handle	1	ABS / Abs
3	Guarnizione / O-ring	1	Or NBR
4	Asta di manovra / Stem	1	Ottone CW614N / Brass
5	Manicotto / End adapter	1	Ottone CW614N / Brass
6	Guarnizione / Seal	2	P.T.F.E.
7	Sfera / Ball	1	Ottone cromato CW614N / Chrome-plated brass
8	Corpo / Body	1	Ottone cromato CW614N / Chrome-plated brass

Certificazioni- Certifications



VOCI DI CAPITOLATO - TECHNICAL FEATURES



Attacchi filettati maschio/femmina.

Maniglia a **leva in nylon**.

Corpo in ottone cromato.

Temperatura minima e massima d'esercizio: 0°C, 90°C.

Attacchi filettati ISO 228

(equivalente a DIN EN ISO 228 e BS EN ISO 228).

Male/female threads.

Lever handle in nylon.

Body in chrome-plated brass.

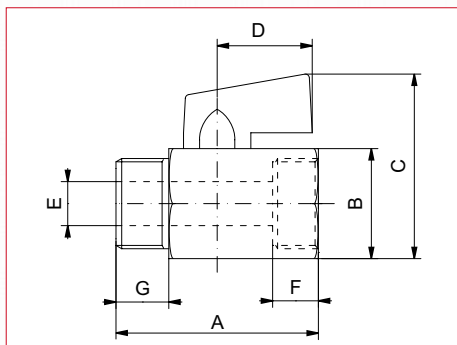
Minimum and maximum working temperatures: 0°C, 90°C.

Threads: ISO 228

(equivalent to DIN EN ISO 228 and BS EN ISO 228).

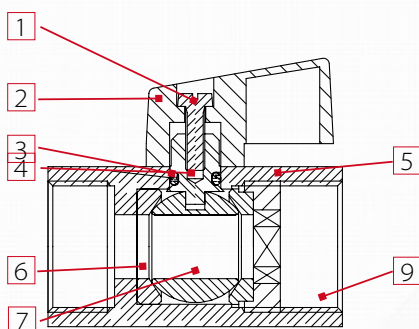
MISURA/SIZE	1/8" (DN6)	1/4" (DN 8)	3/8" (DN 10)	1/2" (DN 15)	3/4" (DN 20)
PRESSIONE/PRESSURE	15bar/217.5psi	15bar/217.5psi	15bar/217.5psi	15bar/217.5psi	15bar/217.5psi
CODICE/CODE	1260018/N	1260014/N	1260038/N	1260012/N	1260034/N
IMBALLO/PACKING	20/280	20/420	20/420	20/280	15/150

QUOTE DI INGOMBRO - DRAWING



Part Code		IT126-14 IT126-14N	IT126-38 IT126-38N	IT126-12 IT126-12N	IT126-12 IT126-12N
SIZE	1/8"	1/4"	3/8"	1/2"	3/4"
DN	6	8	10	15	20
A (mm)	40	39	40	45	51
B (mm)	20	21	21	25	30
C (mm)	38	38	38	42	48
D (mm)	22	22	22	22	22
E (mm)	6	8	8	10	13,5
F (mm)	10	10,2	10	16,2	12,2
G (mm)	10	9,2	10,2	12,2	14
PRESS. ATMOS./WORK. PRESS. Kg/cm ² - bar	15	15	15	15	15
PRESS. ATMOSF. PSI LBS WORK. PRESS.	220	220	220	220	220

SCHEDA MATERIALI - MATERIALS



POS.	DESCRIZIONE/DESCRIPTION	Q.TÀ/N.	MATERIALE/MATERIAL
1	Vite / Screw	1	Fe cromato / hard chrome-plated
2	Maniglia leva / Lever handle	1	ABS / Abs
3	Guarnizione / O-ring	1	Or NBR
4	Asta di manovra / Stem	1	Ottone CW614N / Brass
5	Manicotto / End adapter	1	Ottone CW614N / Brass
6	Guarnizione / Seal	2	P.T.F.E.
7	Sfera / Ball	1	Ottone cromato CW614N / Chrome-plated brass
8	Corpo / Body	1	Ottone cromato CW614N / Chrome-plated brass

Certificazioni- Certifications

