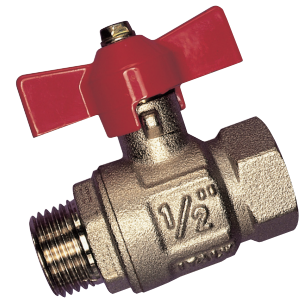


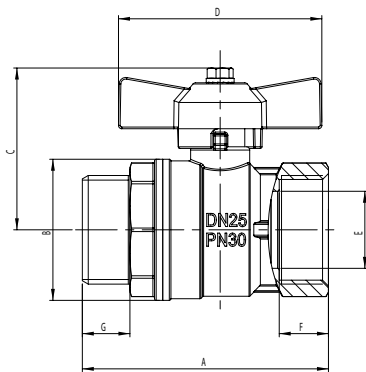
## Full Flow Ball Valves, Brass



- Female/female threads.
- Lever handle in steel.
- Body in nickel-plated brass.
- Minimum and maximum working temperatures: -20°C, 150°C in absence of steam.
- Threads: ISO 228  
(Equivalent to DIN EN ISO 228 and BS EN ISO 228).



Size	1/4" (DN 8)	3/8" (DN 10)	1/2" (DN 15)	3/4" (DN 20)	1" (DN 25)	1"1/4 (DN 32)	1"1/2 (DN 40)	2" (DN 50)
Pressure	50bar/725psi	50bar/725psi	30bar/435psi	30bar/435psi	30bar/435psi	25bar/362.5psi	25bar/362.5psi	25bar/362.5psi
Code	0900014	0900038	1160012	1160034	1160100	1160114	1160112	1160200
Packing	12/192	12/192	15/195	8/104	8/96	4/52	4/32	2/16



Type BV93, Male x Female, BSPP T Handle

	BV093-14	BV093-38	BV093-12	BV093-34	BV093-1
Size	1/4"	3/8"	1/2"	3/4"	1"
DN	8	10	15	20	25
A (mm)	54	54	58	63.5	75
B (mm)	23.5	24	29	36	43
C (mm)	36.5	36.5	39	47	50.5
D (mm)	47	47	47	54	62
E (mm)	8	10	14	18.5	23.5
F (mm)	10	10	12	12	15
G (mm)	10.5	10.5	11.5	12.5	14.5
Working Pressure Kg/cm <sup>2</sup> - bar	50	50	30	30	30
PSI lbs Working Pressure	710	710	430	430	430