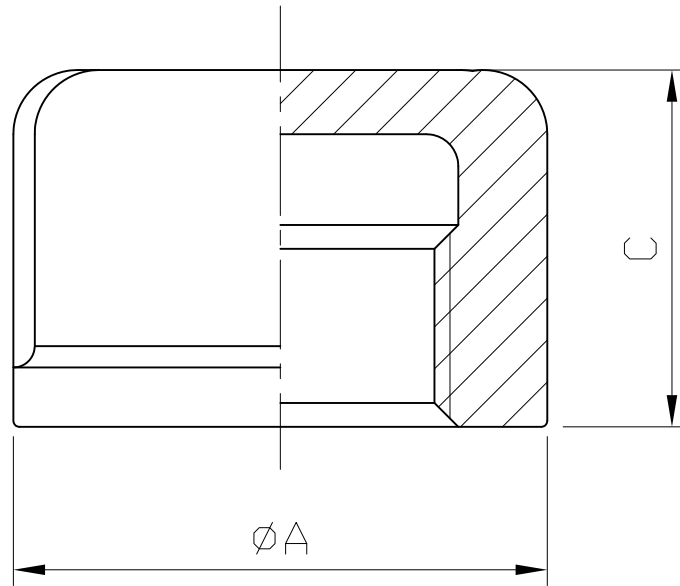


# ROUND CAP



SIZE	A		C	
	mm	in	mm	in
1/8"	15.9	0.63	17	0.67
1/4"	19.1	0.75	18.1	0.71
3/8"	22.7	0.89	18.2	0.72
1/2"	29.2	1.15	20	0.79
3/4"	34.3	1.35	21.6	0.85
1"	42	1.65	26.5	1.04
1-1/4"	51.1	2.01	29	1.14
1-1/2"	57.8	2.28	28.8	1.13
2"	70.4	2.77	31.6	1.24
2-1/2"	83.2	3.28	38.7	1.52
3"	100.2	3.94	40.7	1.6
4"	127.5	5.02	41	1.61

Tolerance:  $\pm 0.5\text{mm}$ (1/8"~2")  
 $\pm 0.8\text{mm}$ (2-1/2"~4")

Ra	0.2	▽▽▽▽
	1.6	▽▽▽
	6.3	▽▽
	25	▽
	~	~
JIS		

GENERAL TOLERANCE	± 0.1
	± 0.2
	± 0.3
	± 0.5
	± 0.8
	0.5-5
	6-30
	31-120
	121-320
	321-1000

HAITIMA CORPORATION  
 P.O.BOX 34-36 TAIPEI  
 Tel:+886-2-26585800  
 E-mail:haitima@seednet.tw  
 TAIWAN R.O.C. www.haitimo.com.tw  
 F.o.x:+886-2-26582266



**HAITIMA CORPORATION**  
 Ball Valves & Pipe Fittings

CHECK BY	DRAWING BY	DATE	SPECIFICATION	Round Cap
	<i>Dune</i>	Jun.29.2009	MATERIAL	304/316
			PROCESS/Nr.	
			UNIT / SCALE	mm

△			
△			
△			
Revise	Description	Date	Approve
DRAWING NO. <b>F14</b>		<b>-09</b>	