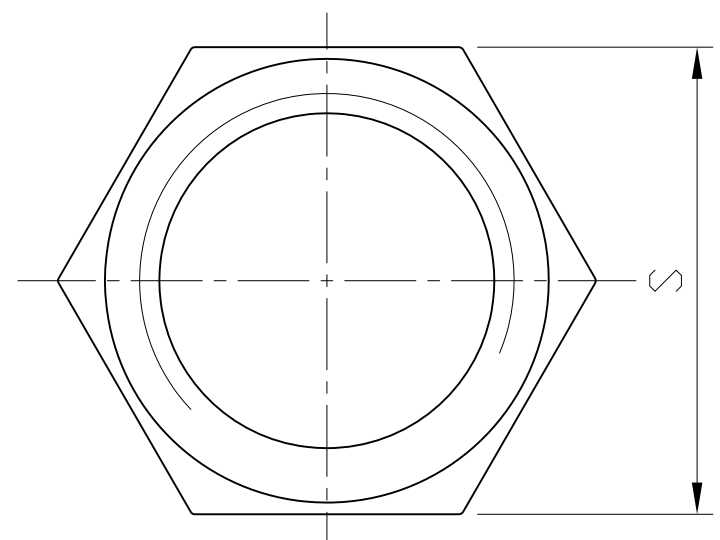
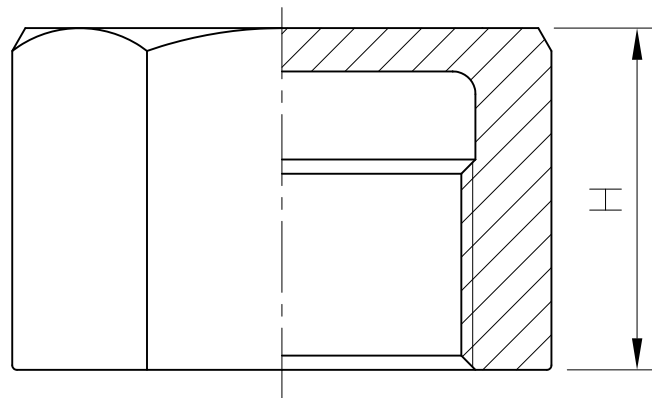


# HEXAGON CAP



SIZE	H		S	
	mm	in	mm	in
1/8"	15.5	0.61	14.2	0.56
1/4"	17	0.67	17.5	0.69
3/8"	17.5	0.69	21.2	0.83
1/2"	20	0.79	25.5	1
3/4"	20.4	0.8	30.1	1.19
1"	27.1	1.07	37.4	1.47
1-1/4"	30	1.18	47	1.85
1-1/2"	30.3	1.19	53.2	2.09
2"	32.3	1.27	66	2.6
2-1/2"	35.2	1.39	81	3.19
3"	38.4	1.51	95.8	3.77
4"	41	1.61	122.2	4.81

Tolerance:  $\pm 0.5\text{mm}(1/8''\sim 2'')$   
 $\pm 0.8\text{mm}(2-1/2''\sim 4'')$

Ra	0.2	▽▽▽▽
	1.6	▽▽▽
	6.3	▽▽
	25	▽
	~	~
	~	~

GENERAL TOLERANCE	0.5-5 ± 0.1	6-30 ± 0.2	31-120 ± 0.3	121-320 ± 0.5	321-1000 ± 0.8
-------------------	----------------	---------------	-----------------	------------------	-------------------

HAITIMA CORPORATION  
 P.O.BOX 34-36 TAIPEI  
 Tel:+886-2-26585800  
 E-mail:haitima@seednet.tw  
 TAIWAN R.O.C. www.haitimo.com.tw  
 Fax:+886-2-26582266



CHECK BY	DRAWING BY	DATE	SPECIFICATION	Hexagon Cap
	Dune	Jun.29.2009	MATERIAL	304/316
			PROCESS/Nr.	
			UNIT / SCALE	mm

△			
△			
△			
Revise	Description	Date	Approve
DRAWING NO. F13		-09	