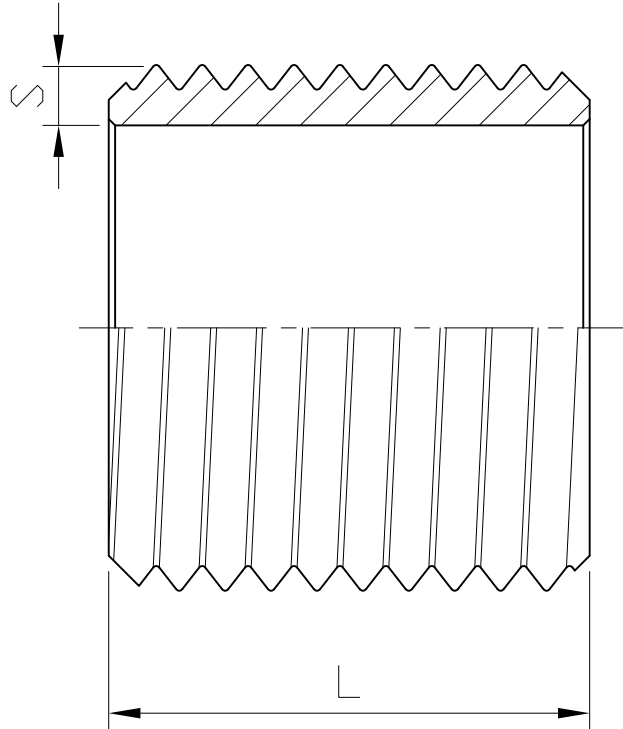


THREAD NIPPLE



Ra	0.2	▽▽▽▽
1.6	▽▽	▽▽▽
6.3	▽	▽▽
25	▽	▽
Q	~	

0.5-5	± 0.1
6-30	± 0.2
31-120	± 0.3
121-320	± 0.5
321-1000	± 0.8

GENERAL TOLERANCE

HAITIMA CORPORATION
 P.O. BOX 34-36 TAIPEI
 Tel:+886-2-26585800
 E-mail:haitima@seednet.tw
 TAIWAN R.O.C. www.haitima.com.tw
 F.o.x:+886-2-26582266

SIZE	1/8"		1/4"		3/8"		1/2"		3/4"		1"		1-1/4"		1-1/2"		2"		2-1/2"		3"		4"	
	mm	in	mm	in	mm	in	mm	in	mm	in	mm	in	mm	in	mm	in	mm	in	mm	in	mm	in	mm	in
S	1.7	0.07	2	0.08	1.9	0.07	2.3	0.09	2.5	0.1	3.2	0.13	3.2	0.13	3.2	0.13	3.6	0.14	3.6	0.14	4	0.16	4.5	0.18
L	16	0.63	18	0.71	22	0.87	25	0.98	30	1.18	35	1.38	38	1.5	38	1.5	45	1.77	55	2.17	60	2.36	70	2.76

Tolerance: ± 0.5mm(1/8"~2")
 ± 0.8mm(2-1/2"~4")

△			
△			
△			
Revise	Description	Date	Approve
DRAWING NO. F11		-08	



HAITIMA CORPORATION
 Ball Valves & Pipe Fittings

CHECK BY	DRAWING BY	DATE	SPECIFICATION	Thread Nipple
	<i>Dune</i>	May.22.2008	MATERIAL	304/316
			PROCESS/Nr.	
			UNIT / SCALE	mm