

Pneumatic Precision Regulators



48.250 Series Side Mounting

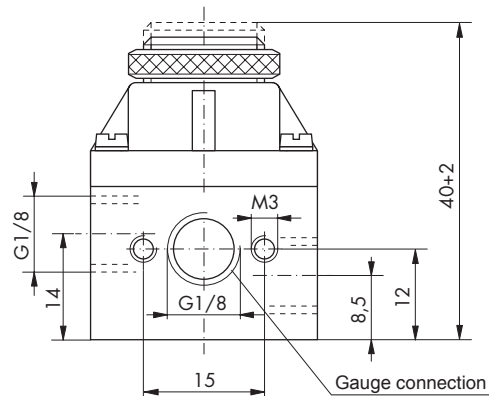
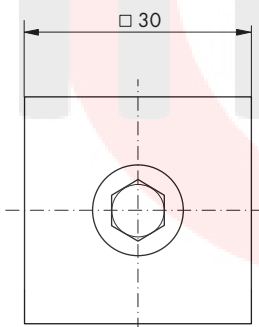
Technical information

Pressure range: Max 10 bar
Setting range: See table
Temperature range: 0°C...+60°C
Housing: Brass nickel plated/plastic
Seals: NBR
Lubricant: Not required
Operating medium: Non-aggressive medium



Symbol	Description	Min. setting	Max. setting	Ports	Order code
	Pressure regulator relieving type	0.0 Bar	5.0 Bar	G1/8	48.250.00.50.00
	Pressure regulator relieving type	0.0 Bar	1.0 Bar	G1/8	48.250.00.10.00
	Pressure regulator non-relieving type	0.0 Bar	5.0 Bar	G1/8	48.250.00.50.10
	Pressure regulator non-relieving type	0.0 Bar	1.0 Bar	G1/8	48.250.00.10.10

Dimensional drawings



PA = Output pressure
 PE = Input pressure
 Q = Flowing through

