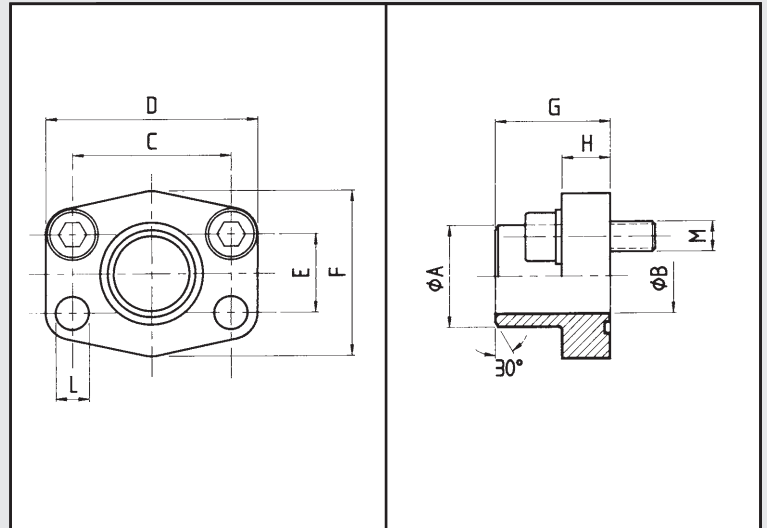


| | | |
|---|-----------------|---------------|
| Bestellbezeichnung: Ordering code: | S355J2G3 | 1.4404 |
| • nur Flansch flange only | AFS-...ST | AFX-...ST |
| • incl. metrischem Schraubensatz und O-Ring including metric bolts and o-ring | AFS-...STM | AFX-...STM |
| • Flansch incl. UNC-Schraubensatz und O-Ring flange including UNC bolts and o-ring | AFS-...STU | AFX-...STUX |



Material: 1. S355J2G3

2. 1.4404 rostfrei
316L stainless

*1 Der angeführte maximale Betriebsdruck ist bezogen auf den Flansch! Der tatsächliche Betriebsdruck wird bestimmt durch das Rohr (Wandstärke) sowie die Güte des Rohres!
The maximum recommended working pressure is based on the flange. The working pressure of the system is determined by the tube (thickness) and by the steel quality of the tube!

| maximaler Betriebsdruck kg/cm ² *1 | | S.A.E. Baugröße | Typ | Abmessungen | | | | | | | | | Schrauben | | Gewicht kg. | |
|---|-----|-------------------------|---|-------------|-------|--------|-----|-------|-----|----|----|------|-----------|--------------|----------------|--|
| maximum recommended working pressure kg/cm ² | | nominal flange size, in | type | dimensions | | | | | | | | | bolts | | weight kg. | |
| Schraube Festigkeitsklasse 8.8 10.9 | | | | A | B | C | D | E | F | G | H | L | M | | | |
| | | | | | | | | | | | | | metr. | unc | | |
| | | | Standarddruckreihe Standard pressure | | | | | | | | | | | | | |
| 350 | 350 | 1/2" | AFS 080 ST | 21,6 | 13,0 | 38,10 | 54 | 17,48 | 46 | 36 | 16 | 9,0 | M 8x30 | 5/16 x 1 1/4 | 0,28 | |
| 350 | 350 | 1/2" | AFS 080 ST-038 | 17,5 | 13,0 | 38,10 | 54 | 17,48 | 46 | 36 | 16 | 9,0 | M 8x30 | 5/16 x 1 1/4 | 0,25 | |
| 350 | 350 | 3/4" | AFS 100 ST | 28,0 | 19,0 | 47,63 | 65 | 22,23 | 50 | 36 | 18 | 11,0 | M 10x35 | 3/8 x 1 1/2 | 0,39 | |
| 250 | 315 | 1" | AFS 102 ST | 34,0 | 25,0 | 52,37 | 70 | 26,19 | 55 | 38 | 18 | 11,0 | M 10x35 | 3/8 x 1 1/2 | 0,46 | |
| 200 | 250 | 1 1/4" | AFS 104 ST | 42,8 | 32,0 | 58,72 | 79 | 30,18 | 68 | 41 | 21 | 11,5 | M 10x40 | 7/16 x 1 1/2 | 0,66 | |
| 200 | 200 | 1 1/2" | AFS 106 ST | 48,6 | 38,0 | 69,85 | 93 | 35,71 | 78 | 44 | 25 | 13,5 | M 12x45 | 1/2 x 1 3/4 | 1,05 | |
| 160 | 200 | 2" | AFS 108 ST | 61,0 | 51,0 | 77,77 | 102 | 42,88 | 90 | 45 | 25 | 13,5 | M 12x45 | 1/2 x 1 3/4 | 1,19 | |
| 100 | 160 | 2 1/2" | AFS 110 ST | 77,0 | 63,0 | 88,90 | 114 | 50,80 | 105 | 50 | 25 | 13,5 | M 12x45 | 1/2 x 1 3/4 | 1,40 | |
| 100 | 138 | 3" | AFS 112 ST | 92,0 | 73,0 | 106,38 | 134 | 61,93 | 124 | 50 | 27 | 17,5 | M 16x50 | 5/8 x 2 | 2,15 | |
| 35 | 35 | 3 1/2" | AFS 114 ST | 103,0 | 89,0 | 120,65 | 152 | 69,85 | 136 | 48 | 27 | 17,5 | M 16x50 | 5/8 x 2 | 2,40 | |
| 35 | 35 | 4" | AFS 116 ST | 115,5 | 99,0 | 130,18 | 162 | 77,77 | 146 | 48 | 27 | 17,5 | M 16x50 | 5/8 x 2 | 2,85 | |
| 35 | 35 | 5" | AFS 118 ST | 140,2 | 120,0 | 152,40 | 184 | 92,08 | 180 | 50 | 28 | 17,5 | M 16x55 | 5/8 x 2 | 5,20 | |
| | | | Hochdruckreihe High pressure | | | | | | | | | | | | | |
| 350 | 400 | 1/2" | AFS 401 ST-012 | 21,5 | 13,0 | 40,49 | 54 | 18,24 | 46 | 36 | 16 | 9,0 | M 8x30 | 5/16 x 1 1/4 | 0,29 | |
| 350 | 400 | 1/2" | AFS 401 ST-038 | 17,5 | 13,0 | 40,49 | 54 | 18,24 | 46 | 36 | 16 | 9,0 | M 8x30 | 5/16 x 1 1/4 | 0,26 | |
| 350 | 400 | 3/4" | AFS 402 ST | 28,0 | 19,0 | 50,80 | 71 | 23,80 | 55 | 35 | 21 | 11,0 | M 10x35 | 3/8 x 1 1/2 | 0,50 | |
| 350 | 400 | 1" | AFS 403 ST | 34,0 | 25,0 | 57,15 | 79 | 27,76 | 68 | 41 | 21 | 13,5 | M 12x45 | 7/16 x 1 3/4 | 0,76 | |
| 350 | 375 | 1 1/4" | AFS 404 ST | 42,8 | 32,0 | 66,68 | 93 | 31,75 | 78 | 44 | 25 | 15,0 | M 14x45 | 1/2 x 1 3/4 | 1,20 | |
| 350 | 400 | 1 1/4" | AFS 404 ST 160 | 42,8 | 29,0 | 66,68 | 93 | 31,75 | 78 | 44 | 25 | 15,0 | M 14x45 | 1/2 x 1 3/4 | 1,35 | |
| 250 | 250 | 1 1/2" | AFS 405 ST | 48,6 | 38,0 | 79,38 | 112 | 36,50 | 94 | 55 | 30 | 17,0 | M 16x50 | 5/8 x 2 | 1,65 | |
| 350 | 400 | 1 1/2" | AFS 405 ST 160 | 48,6 | 34,0 | 79,38 | 112 | 36,50 | 94 | 55 | 30 | 17,0 | M 16x50 | 5/8 x 2 | 1,80 | |
| 250 | 250 | 2" | AFS 406 ST | 61,0 | 51,0 | 96,82 | 134 | 44,45 | 114 | 65 | 37 | 21,0 | M 20x65 | 3/4 x 2 1/2 | 2,45 | |
| 350 | 400 | 2" | AFS 406 ST 160 | 61,0 | 43,0 | 96,82 | 134 | 44,45 | 114 | 65 | 37 | 21,0 | M 20x70 | 3/4 x 2 1/2 | 2,70 | |
| 350 | 400 | 2 1/2" | AFS 407 ST 76 | 76,1 | 51,0 | 123,80 | 180 | 58,70 | 152 | 80 | 45 | 26,0 | M 24x75 | - | 6,40 | |
| 350 | 400 | 2 1/2" | AFS 407 ST 88 | 90,0 | 60,5 | 123,80 | 180 | 58,70 | 152 | 80 | 45 | 26,0 | M 24x75 | - | 8,30 | |
| 350 | 400 | 3" | AFS 408 ST 160 | 90,0 | 67,7 | 152,40 | 208 | 71,40 | 178 | 90 | 55 | 33,0 | M 30x100 | - | - | |