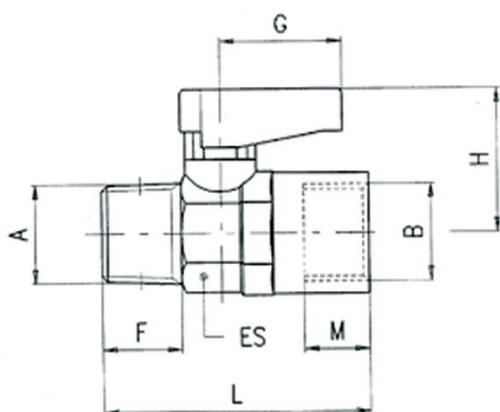


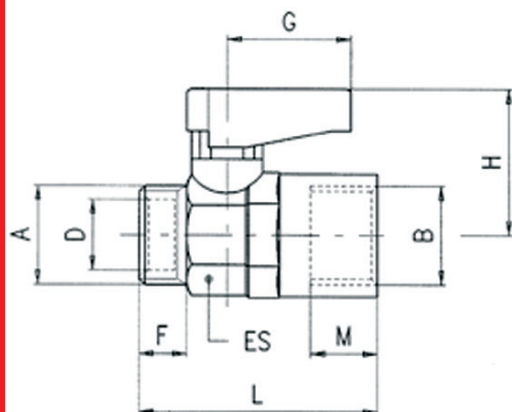
6300 - VALVE FEMALE RP ISO 7 - FEMALE RP ISO 7 (standard handle-red plate)

A	B	D.N.	ES	F	M	L	G	H	Conf./Pack	Draw
1/8	1/8	5,5	14-15	7,4	7,4	36	19	21	25	Download (683.46 KB)
1/4	1/4	5,5	14-15	11	11	43	19	21	25	Download (518.46 KB)
3/8	3/8	8	18-19	11,4	11,4	47	19	22	10	Download (884.01 KB)
1/2	1/2	10	22-23	15	15	59	26	30,5	10	Download (841.76 KB)
3/4	3/4	14	28-30	16,3	16,3	67	26	33	5	Download (694.22 KB)



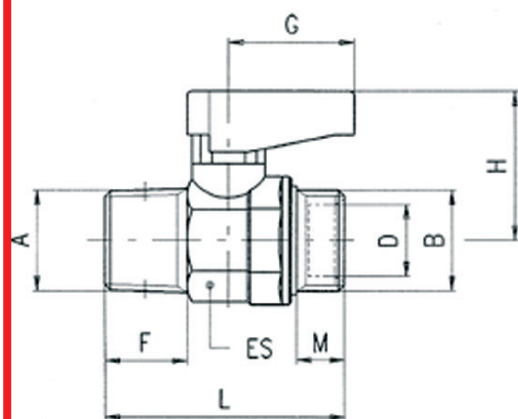
6310 - VALVE TAPER MALE R ISO 7 - FEMALE RP ISO 7 (standard handle-red plate)

A	B	D.N.	ES	F	M	L	G	H	Conf./Pack	Draw
1/8	1/8	5,5	14-15	7,4	7,4	36	19	21	25	Download (730.80 KB)
1/4	1/8	5,5	14-15	11	7,4	40,5	19	21	25	Download (648.93 KB)
1/4	1/4	5,5	14-15	11	11	43	19	21	25	Download (518.88 KB)
3/8	3/8	8	18-19	11,4	11,4	46	19	22	10	Download (906.09 KB)
1/2	1/2	10	22-23	15	15	57	26	30,5	10	Download (863.60 KB)
3/4	3/4	14	28-30	16,3	16,3	63	26	33	5	Download (700.80 KB)



6320 - VALVE PARALLEL MALE GA ISO 228 - FEMALE RP ISO 7 (standard handle-red plate)

A	B	D.N.	ES	D	F	M	L	G	H	Conf./Pack	Draw
1/8	1/8	5,5	14-15	6,2	7	7,4	34,5	19	21	25	Download (689.23 KB)
1/4	1/8	5,5	14-15	8,2	8	7,4	35,5	19	21	25	Download (617.71 KB)
1/4	1/4	5,5	14-15	8,2	8	11	38	19	21	25	Download (527.62 KB)
3/8	3/8	8	18-19	10,2	9	11,4	41,5	19	22	10	Download (868.85 KB)
1/2	1/2	10	22-23	15,2	10	15	50	26	30,5	10	Download (822.85 KB)
3/4	3/4	14	28-30	18,2	12	16,3	56,5	26	33	5	Download (671.83 KB)



6330 - VALVE TAPER MALE R ISO 7 - PARALLEL MALE GA ISO 228 (standard handle-red plate)

A	B	D.N.	ES	D	F	M	L	G	H	Conf./Pack	Draw
1/8	1/8	5,5	14-15	6,2	7,4	7	33,5	19	21	25	Download (684.29 KB)
1/8	1/4	5,5	14-15	8,2	7,4	8	33,5	19	21	25	Download (713.13 KB)
1/4	1/8	5,5	14-15	8,2	11	8	38	19	21	25	Download (635.16 KB)
1/4	1/4	5,5	14-15	6,2	11	7	38	19	21	25	Download (647.80 KB)
3/8	3/8	8	18-19	10,2	11,4	9	41,5	19	22	10	Download (991.45 KB)
1/2	1/2	10	22-23	15,2	15	10	49	26	30,5	10	Download (1.12 MB)
3/4	3/4	14	28-30	18,2	16,3	12	55,5	26	33	5	Download (787.64 KB)