

Vertical Latch Clamps, Flanged Base



Features:

These latch clamps have a vertical (corner) configuration, the clamp and bracket being at right angles to each other, and are fitted with PVC handle grips.

Specification:

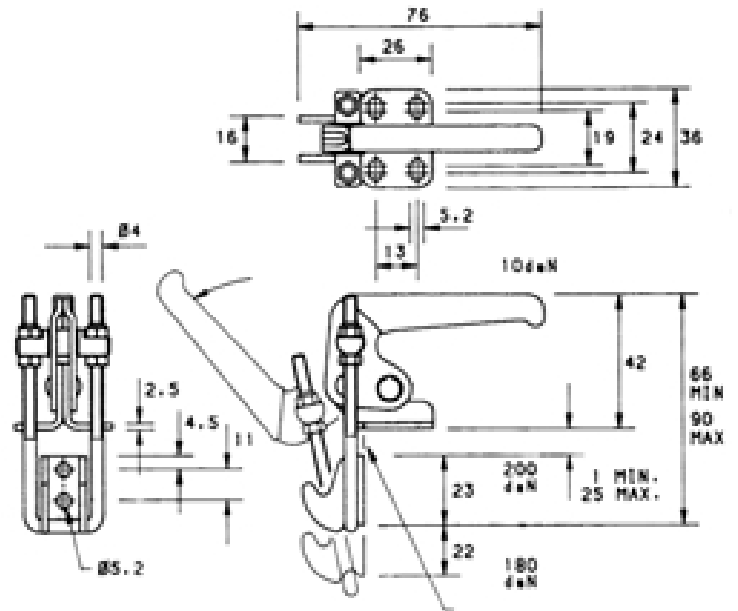
The components are of zinc plated and passivated steel, the rivet being of stainless steel and rotating in the close-toleranced hole of hardened parts or in hardened bushes. The handle and the trunnion which holds the U bolt are also hardened to resist wear.

Installation:

Vertical clamps should be in alignment when viewed from the top, and, when viewed from the side, the base of the latch bracket should be aligned with the flat front edge of the clamp base and at right angles to it. The U bolt should be adjusted to ensure an equal pull on either side.

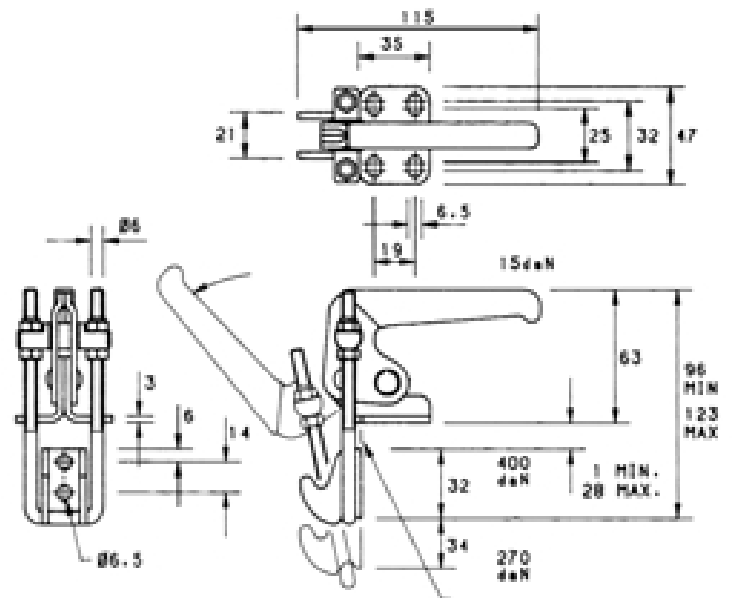
BR-LU200V

- Nominal holding force: 200 daN
- Weight: 0.05kg
- Supplied complete with: latch bracket as shown



BR-LU400V

- Nominal holding force: 400 daN
- Weight: 0.25kg
- Supplied complete with: latch bracket as shown



BR-LU700V

- Nominal holding force: 700 daN
- Weight: 0.70kg
- Supplied complete with: latch bracket as shown

