

Toggle Clamps



Horizontal Manual Clamps, Straight Base Model: BR-H50/1B



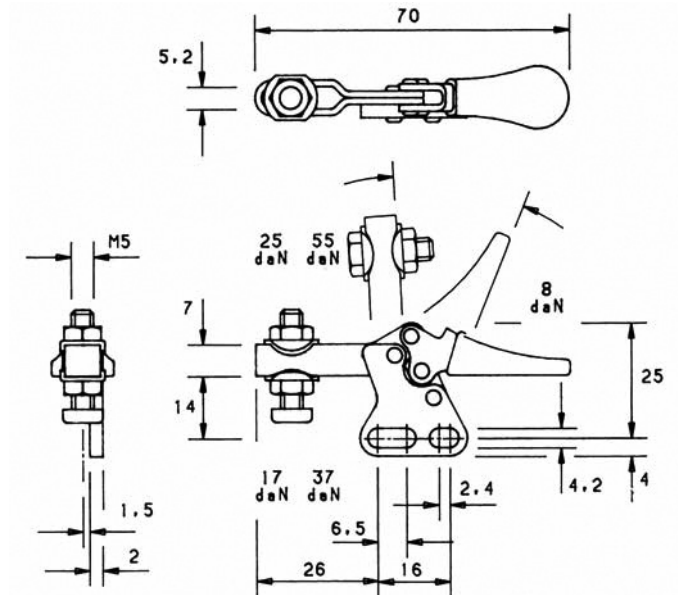
Arm: the spindle position is adjustable along the arm.

Base: straight.

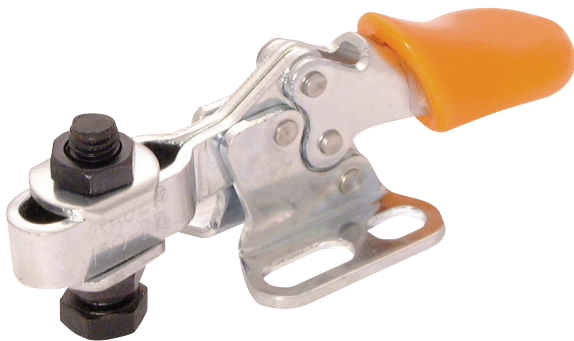
Nominal Holding Force: 50 daN.

Weight: 0.033 Kg.

Supplied complete with: MB0520 setscrew and nuts;
FW05/09 flanged washers.



Horizontal Manual Clamps, Flanged Base Model: BR-H50/2B



Arm: the spindle position is adjustable along the arm.

Base: flanged.

Nominal Holding Force: 50 daN.

Weight: 0.036 Kg.

Supplied complete with: MB0520 setscrew and nuts;
FW05/09 flanged washers.

