

VACUUM FILTERS



Specification

Fluid	Air
Operating pressure	-100 – 0 kPa
Burst pressure	0.15 MPa
Operating and ambient temperature range	0-60°C
Filtration degree	10µm

Ordering Code

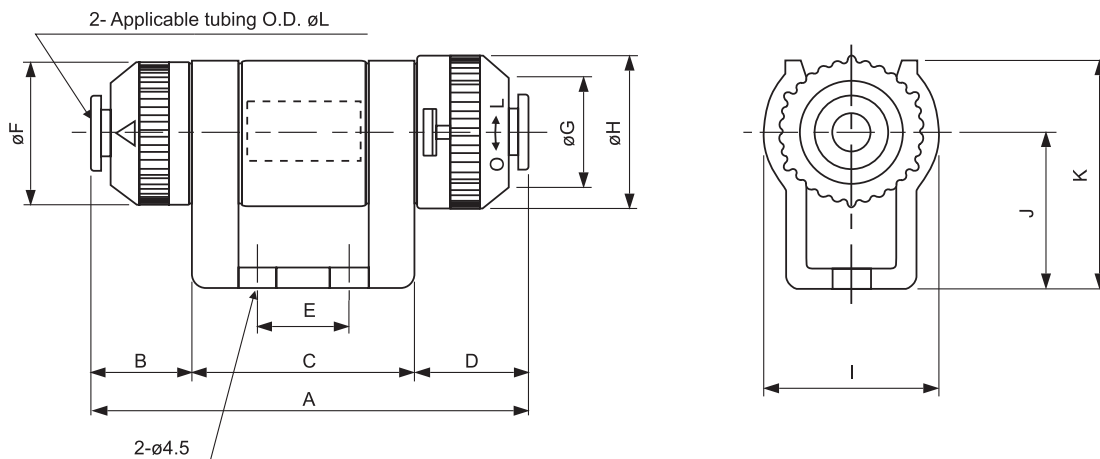
K Z F C	—	0 5 0	—	- 0 3	—	B
Model		Flow Rate l/min		Inlet and Outlet		Bracket
KZFC : Vacuum Filter		050 : 10		03 : 04		B: With Bracket
		100 : 20		04 : 06		
		200 : 50		04 : 04		
				06 : 06		
				08 : 08		

Product Features

- 1 Compact.
- 2 Lightweight.
- 3 One Touch Push-in ported.
- 4 Replacement elements on series 100 & 200.
- 5 Easy installation.
- 6 Supplied with bracket.
- 7 Filter: 10µm.

Dimensions

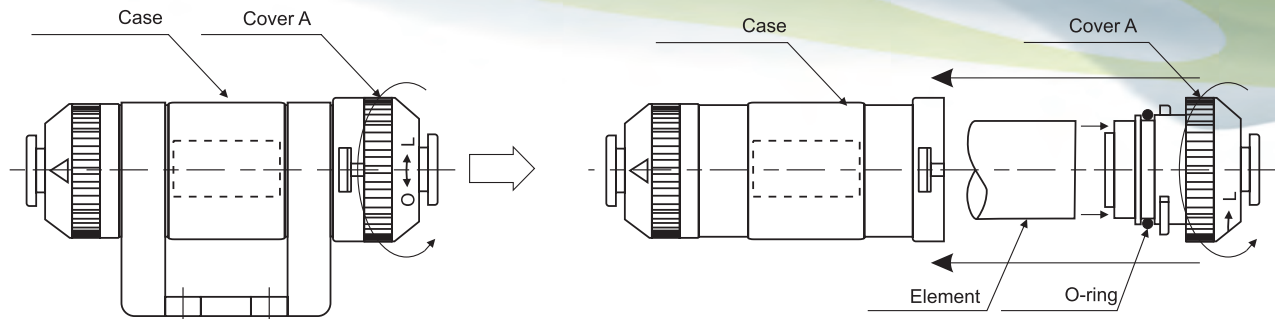
All sizes are in millimetres unless stated otherwise.



Model	A	B	C	D	E	Ø F	Ø G	Ø H	I	J	K	L
KZFC050-03B	58	12.5	33	12.5	25	10	-	10.5	12	8.5	13.8	4
6												
KZFC100-04B	53.2	9.1	30	14.1	10	18	11.6	19.5	23	20	29	4
KZFC100-06B												6
KZFC200-04B	67	15.5	34	17.5	14	22	15.6	23.1	27	24	35	6
KZFC200-06B												8

VACUUM FILTERS

Element Replacement



- 1 Stop operation and reduce the filter's internal pressure to atmosphere.
- 2 Turn cover A counterclockwise until it stops (approx. 45°).
- 3 Pull cover A out of the case to remove the element. Remove dust and other debris remaining inside the case by blowing it out with air, etc. (Also confirm that the O-ring is not damaged.)
- 4 Install a new element on cover A and insert it into the case.
- 5 After aligning the projections (2 places) on cover A with the grooves in the case, push cover A in and turn it clockwise until it stops (approx. 45°). (Confirm that the projections on cover A can be seen completely through the windows in the case.)
- 6 Restart operation.

Flow Characteristics

