

AIR PREPARATION DIGITAL AUTOMATIC DRAIN VALVES

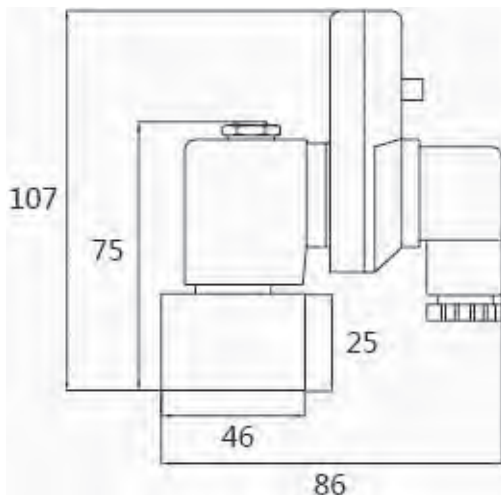
Product Features

- 1 Fully automatic.
- 2 Flame retardant ABS case conforms to IP65.
- 3 Low maintenance design.
- 4 LED display.
- 5 High voltage power supply - AC/DC 110 to 240V.
- 6 Low voltage power supply - AC/DC 7 to 36V.
- 7 Standard DIN43650A input and output interfaces.
- 8 Conforms to CE standards.
- 9 Available in High or Low Voltages.
- 10 Available in 3 sizes 1/4", 3/8", & 1/2" BSPP.



Dimensions

All sizes are in millimetres unless stated otherwise.



AIR PREPARATION DIGITAL AUTOMATIC DRAIN VALVES

Installation & Operation

Setting the timer (timed drain repeat function)

- 1 At power on, pressing the 'MODE' button scrolls between 'off-on', 'on-off' and '-on-'.
- 2 With 'on-off' displayed select 'ENTER' to set the 'ON' time. Screen displays '-.- 0.0 0'.
- 3 Using 'ADD' increases the value of the flashing digit, 'ENTER' confirms or scrolls to the next digit. Selectable values are between '00.00.01' (hrs/min/sec) and '99.59.59'.
- 4 Press 'ENTER' to change to 'off' time screen, displayed as '00.00.00'.
- 5 Using 'ADD' increases the value of the flashing digit, 'ENTER' confirms or scrolls to the next digit. Select values are between '00.00.01' (hrs/min/sec) and '99.59.59' hrs/min/sec).
- 6 Press 'ENTER' once more, 'on-off' flashes rapidly 4 times then sequence starts with 'on' time.

Setting the timer (alternative repeat function)

- 1 At power on, pressing the 'MODE' button scrolls between 'off-on', 'on-off' and '-on-'.
- 2 With 'off-on' displayed select 'ENTER' to set the 'off' time. Screen displays '00.00.00'.
- 3 Using 'ADD' increases the value of the flashing digit, 'ENTER' confirms or scrolls to the next digit. Selectable values are between '00.00.01' (hrs/min/sec) and '99.59.59' (hrs/min/sec).
- 4 Press 'ENTER' to change to 'on' time screen, displayed as '-.-0.00'.
- 5 Using 'ADD' increases the value of the flashing digit, 'ENTER' confirms or scrolls to the next digit. Selectable values are between '00.00.01' (hrs/min/sec) and '99.59.59'.
- 6 Press 'ENTER' once more, 'off-on' flashes rapidly 4 times then sequence starts with 'off' time.

Setting the timer (single function)

- 1 At power on, pressing the 'MODE' button scrolls between 'off-on', 'on-off' and '-on-'.
- 2 With 'on' displayed select 'ENTER' to set the 'on' time. Screen displays '-.-0.00'.
- 3 Using 'ADD' increases the value of the flashing digit, 'ENTER' confirms or scrolls to the next digit. Selectable values are between 0.01 (secs) and 9.59 (mins/secs).
- 4 Press 'ENTER' once more, '-on-' flashes rapidly 4 times then 'on' time starts.
- 5 At completion of 'on' time, the timer waits for input.

Common operations

- 1 'RESET' Pressing the reset button causes the timed sequence to re-start at its beginning. In the case of timed drain operation, re-start causes an 'on' period to occur, testing the drain function.
- 2 'IND' The indicator light glows brightly when the timer is in an 'on' period.