

610

STRAIGHT FEMALE CONNECTOR

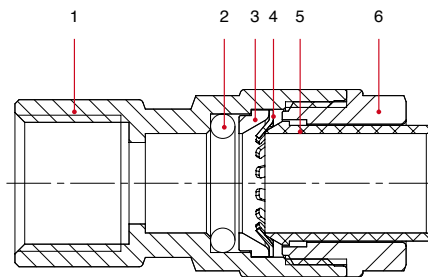


SIZE	CODE	PACKING
12x3/8"	610B038012	18/375
12x1/2"	610B012012	14/294
14x1/2"	610B012014	14/294
15x1/2"	610B012015	14/294
16x1/2"	610B012016	14/294
18x1/2"	610B012018	7/210
18x3/4"	610B034018	7/210
20x1/2"	610B012020	10/210
22x3/4"	610B034022	5/150
25x3/4"	610B034025	8/168
28x1"	610B100028	5/95

TECHNICAL SPECIFICATIONS

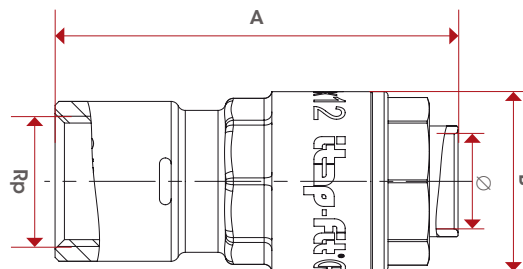
Bodies in de-zincification resistant brass (DZR).
 Minimum and maximum working temperatures:
 -20°C, 120°C (allowed peaks of 150°C).
 Nominal pressure:
 Copper pipe: 20bar at 25°C, 10bar at 90°C.
 PEX and polybutylene pipes: 12bar at 25°C, 5 bar at 90°C.
 Threads: ISO 7/1 (equivalent to DIN EN 10226-1 and BS EN 10226-1).

MATERIALS



POS.	DESCRIPTION	N.	MATERIAL
1	Body	1	Brass CW602N
2	O-Ring	1	EPDM
3	Spacer	1	GRILON TSS/4
4	Fastening ring	1	Stainless steel AISI 301
5	Release collar	1	GRIVORY GV-SH
6	End adapter	1	GRIVORY GV-SH

OVERALL DIMENSIONS



	12x3/8"	12x1/2"	14x1/2"	15x1/2"	16x1/2"	18x1/2"	18x3/4"	20x1/2"	22x3/4"	25x3/4"	28x1"
A	51,6	55	55	55	55	59	59,6	62	62	64	70
B	23	23	25	26	27	31,5	31,5	34	36	40	43,7

CERTIFICATIONS



615

STRAIGHT MALE CONNECTOR



SIZE	CODE	PACKING
12x3/8"	615B038012	24/720
12x1/2"	615B012012	18/378
14x3/8"	615B038014	18/378
14x1/2"	615B012014	18/378
15x1/2"	615B012015	18/378
16x1/2"	615B012016	15/450
18x1/2"	615B012018	15/240
18x3/4"	615B034018	15/240
20x1/2"	615B012020	14/224
22x3/4"	615B034022	12/192
25x3/4"	615B034025	11/176
28x1"	615B100028	8/152

TECHNICAL SPECIFICATIONS

Bodies in de-zincification resistant brass (DZR).

Minimum and maximum working temperatures:

-20°C, 120°C (allowed peaks of 150°C).

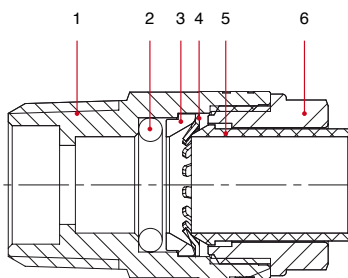
Nominal pressure:

Copper pipe: 20bar at 25°C, 10bar at 90°C.

PEX and polybutylene pipes: 12bar at 25°C, 5 bar at 90°C.

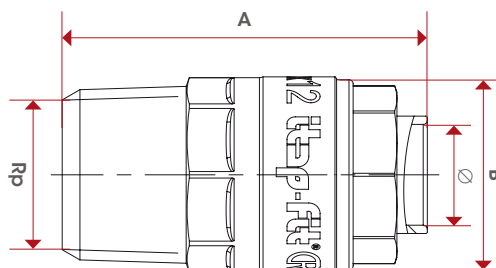
Threads: ISO 7/1 (equivalent to DIN EN 10226-1 and BS EN 10226-1).

MATERIALS



POS.	DESCRIPTION	N.	MATERIAL
1	Body	1	Brass CW602N
2	O-Ring	1	EPDM
3	Spacer	1	GRILON TSS/4
4	Fastening ring	1	Stainless steel AISI 301
5	Release collar	1	GRIVORY GV-SH
6	End adapter	1	GRIVORY GV-SH

OVERALL DIMENSIONS



	12x3/8"	12x1/2"	14x3/8"	14x1/2"	15x1/2"	16x1/2"	18x1/2"	18x3/4"	20x1/2"	22x3/4"	25x3/4"	28x1"
A	40,7	44	44,6	45,5	45	45,5	55,6	49,3	59,4	60,4	63	66
B	23	23,7	25	25	26	27	31,5	31,5	34	36	40	43,7

CERTIFICATIONS



620

STRAIGHT COUPLING

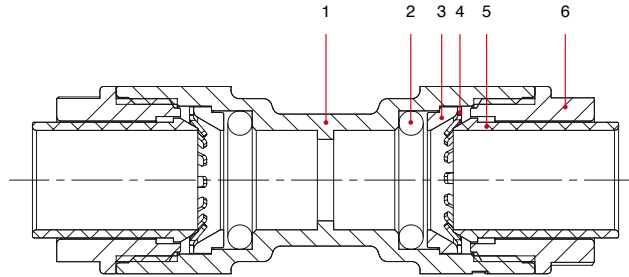


SIZE	CODE	PACKING
12	620C000012	12/360
14	620C000014	12/252
15	620C000015	12/252
16	620C000016	12/252
18	620C000018	12/192
20	620C000020	10/130
22	620C000022	8/128
25	620C000025	7/112
28	620C000028	6/114

TECHNICAL SPECIFICATIONS

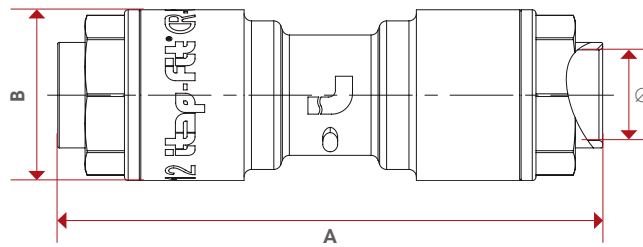
Bodies in de-zincification resistant brass (DZR).
 Minimum and maximum working temperatures:
 -20°C, 120°C (allowed peaks of 150°C).
 Nominal pressure:
 Copper pipe: 20bar at 25°C, 10bar at 90°C.
 PEX and polybutylene pipes: 12bar at 25°C, 5 bar at 90°C.

MATERIALS



POS.	DESCRIPTION	N.	MATERIAL
1	Body	1	Brass CW602N
2	O-Ring	2	EPDM
3	Spacer	2	GRILON TSS/4
4	Fastening ring	2	Stainless steel AISI 301
5	Release collar	2	GRIVORY GV-SH
6	End adapter	2	GRIVORY GV-SH

OVERALL DIMENSIONS



	12	14	15	16	18	20	22	25	28
A	73,4	73,2	72,8	73	81,2	86,8	85,8	89,8	91,8
B	23	25	26	27	31,5	34	36	40	43,7

CERTIFICATIONS



625

STOP END

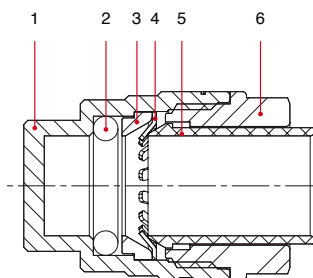


SIZE	CODE	PACKING
12	625C000012	30/630
14	625C000014	25/525
15	625C000015	25/525
16	625C000016	25/525
18	625C000018	16/336
20	625C000020	14/294
22	625C000022	8/240

TECHNICAL SPECIFICATIONS

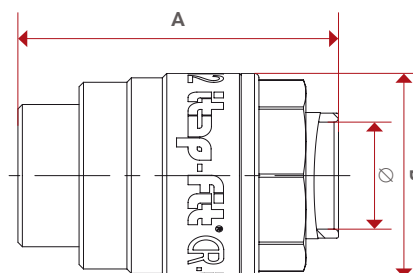
Bodies in de-zincification resistant brass (DZR).
 Minimum and maximum working temperatures:
 -20°C, 120°C (allowed peaks of 150°C).
 Nominal pressure:
 Copper pipe: 20bar at 25°C, 10bar at 90°C.
 PEX and polybutylene pipes: 12bar at 25°C, 5 bar at 90°C.
 Suitable as a plug in order to test installation with copper, PEX, PB, multilayer pipes. The fitting is usable again.

MATERIALS



POS.	DESCRIPTION	N.	MATERIAL
1	Body	1	Brass CW614N
2	O-Ring	1	EPDM
3	Spacer	1	GRILON TSS/4
4	Fastening ring	1	Stainless steel AISI 301
5	Release collar	1	GRIVORY GV-SH
6	End adapter	1	GRIVORY GV-SH

OVERALL DIMENSIONS



Ø	12	14	15	16	18	20	22
A	36	36	36	36	40	43	42,4
B	23	25	26	27	31,5	34	36

CERTIFICATIONS



630

EQUALT COUPLING

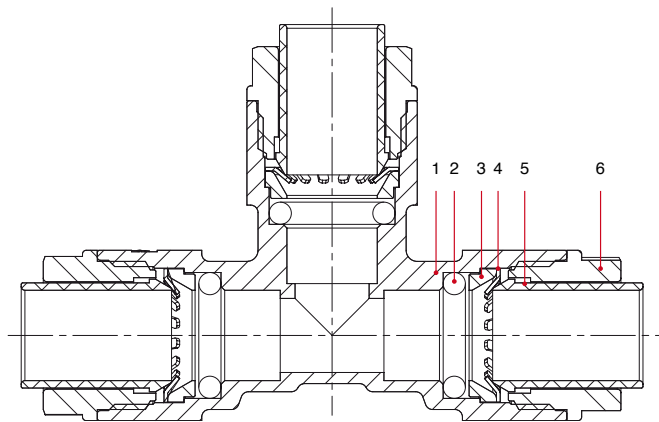


SIZE	CODE	PACKING
12x12x12	630C000012	8/240
14x14x14	630C000014	6/180
15x15x15	630C000015	6/180
16x16x16	630C000016	6/144
18x18x18	630C000018	6/96
20x20x20	630C000020	5/95
22x22x22	630C000022	5/95
25x25x25	630C000025	5/65
28x28x28	630C000028	4/72

TECHNICAL SPECIFICATIONS

Bodies in de-zincification resistant brass (DZR).
 Minimum and maximum working temperatures:
 -20°C, 120°C (allowed peaks of 150°C).
 Nominal pressure:
 Copper pipe: 20bar at 25°C, 10bar at 90°C.
 PEX and polybutylene pipes: 12bar at 25°C, 5 bar at 90°C.

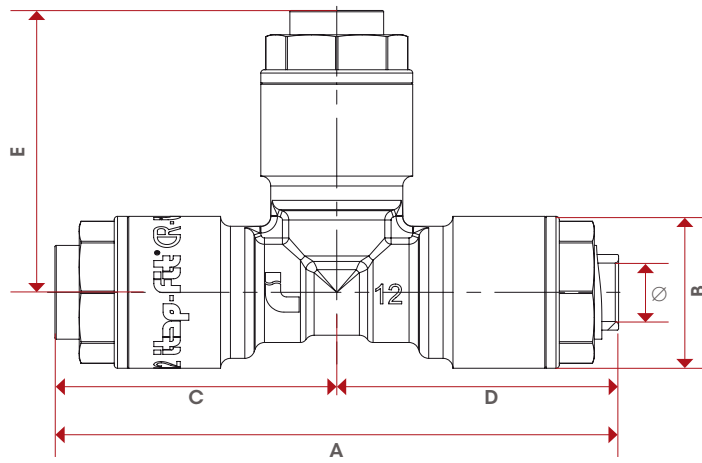
MATERIALS



POS.	DESCRIPTION	N.	MATERIAL
1	Body	1	Brass CW602N
2	O-Ring	3	EPDM
3	Spacer	3	GRILON TSS/4
4	Fastening ring	3	Stainless steel AISI 301
5	Release collar	3	GRIVORY GV-SH
6	End adapter	3	GRIVORY GV-SH



OVERALL DIMENSIONS



	12x12x12	14x14x14	15x15x15	16x16x16	18x18x18	20x20x20	22x22x22	25x25x25	28x28x28
A	85,4	87,2	88	89	99,2	109,2	108	117,2	120
B	23	25	26	27	31,5	34	36	40	43,7
C	42,7	43,6	44	44,5	49,6	54,6	54	58,6	60
D	42,7	43,6	44	44,5	49,6	54,6	54	58,6	60
E	42,7	43,6	44	44,5	49,6	54,6	54	58,6	60

CERTIFICATIONS



635

FEMALE BRANCH COUPLING

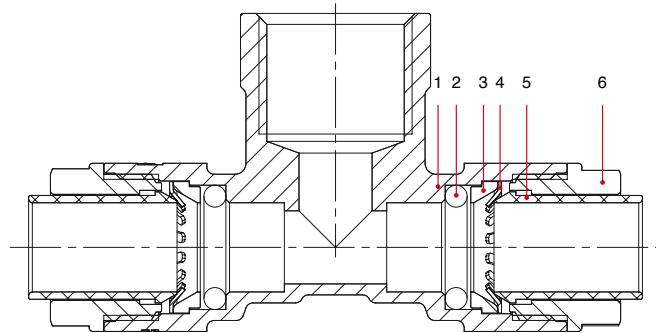


SIZE	CODE	PACKING
12x1/2"	635B012012	6/180
14x1/2"	635B012014	6/180
15x1/2"	635B012015	6/180
16x1/2"	635B012016	6/180
18x1/2"	635B012018	6/144
18x3/4"	635B034018	6/144
20x1/2"	635B012020	8/104
22x3/4"	635B034022	6/108
25x3/4"	635B034025	6/60
28x1"	635B100028	4/72

TECHNICAL SPECIFICATIONS

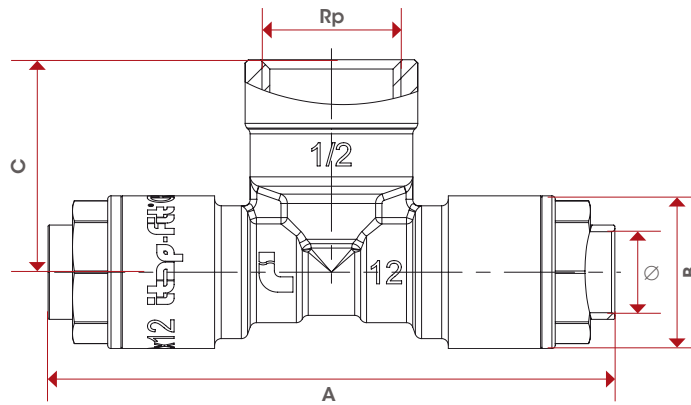
Bodies in de-zincification resistant brass (DZR).
 Minimum and maximum working temperatures:
 -20°C, 120°C (allowed peaks of 150°C).
 Nominal pressure:
 Copper pipe: 20bar at 25°C, 10bar at 90°C.
 PEX and polybutylene pipes: 12bar at 25°C, 5 bar at 90°C.
 Threads: ISO 7/1 (equivalent to DIN EN 10226-1 and BS EN 10226-1).
12x1/2" size available till out of stock.

MATERIALS



POS.	DESCRIPTION	N.	MATERIAL
1	Body	1	Brass CW602N
2	O-Ring	2	EPDM
3	Spacer	2	GRILON TSS/4
4	Fastening ring	2	Stainless steel AISI 301
5	Release collar	2	GRIVORY GV-SH
6	End adapter	2	GRIVORY GV-SH

OVERALL DIMENSIONS



	12x3/8"	12x1/2"	14x1/2"	15x1/2"	16x1/2"	18x1/2"	18x3/4"	20x1/2"	22x3/4"	25x3/4"	28x1"
A	85,4	85,4	87,2	88	89	99,2	99,2	109,2	108	117,2	120
B	23	23	25	26	27	31,5	31,5	34	36	40	43,7
C	28,5	32	32,5	33	33,5	34,5	37,3	35,5	40	41	47,2

CERTIFICATIONS



640

MALE ELBOW



SIZE	CODE	PACKING
12x3/8"	640B038012	12/360
12x1/2"	640B012012	12/360
14x1/2"	640B012014	12/360
15x1/2"	640B012015	12/360
16x1/2"	640B012016	10/300
18x1/2"	640B012018	10/240
18x3/4"	640B034018	10/240
20x1/2"	640B012020	10/240
22x3/4"	640B034022	8/192
25x3/4"	640B034025	8/128
28x1"	640B100028	6/114

TECHNICAL SPECIFICATIONS

Bodies in de-zincification resistant brass (DZR).

Minimum and maximum working temperatures:

-20°C, 120°C (allowed peaks of 150°C).

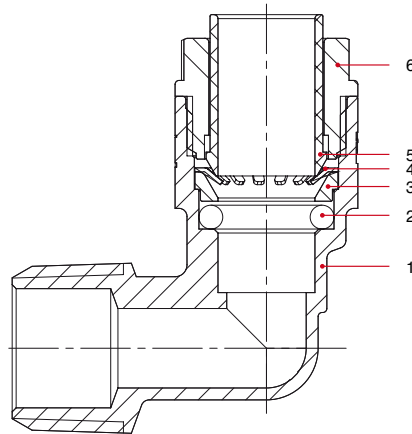
Nominal pressure:

Copper pipe: 20bar at 25°C, 10bar at 90°C.

PEX and polybutylene pipes: 12bar at 25°C, 5 bar at 90°C.

Threads: ISO 7/1 (equivalent to DIN EN 10226-1 and BS EN 10226-1).

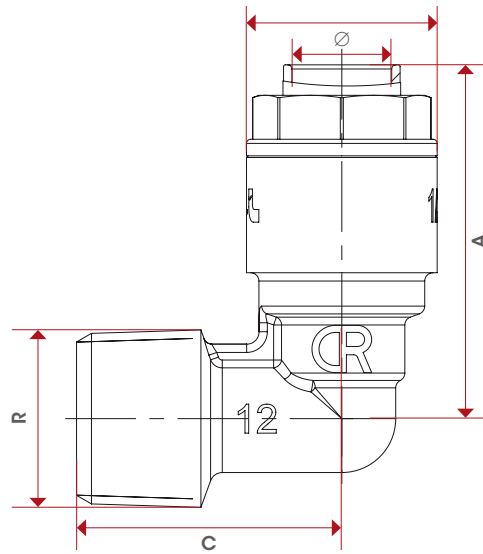
MATERIALS



POS.	DESCRIPTION	N.	MATERIAL
1	Body	1	Brass CW602N
2	O-Ring	1	EPDM
3	Spacer	1	GRILON TSS/4
4	Fastening ring	1	Stainless steel AISI 301
5	Release collar	1	GRIVORY GV-SH
6	End adapter	1	GRIVORY GV-SH



OVERALL DIMENSIONS



	12x3/8"	12x1/2"	14x1/2"	15x1/2"	16x1/2"	18x1/2"	18x3/4"	20x1/2"	22x3/4"	25x3/4"	28x1"
A	42,7	42,7	43,6	43,9	44,5	49,6	49,6	54,6	53,9	58,6	59,9
B	23	23	25	26	27	31,5	31,5	34	36	40	43,7
C	28	32	32,5	33	33,5	34,5	37,3	35,5	40	41,1	45,9

CERTIFICATIONS



645

FEMALE ELBOW



SIZE	CODE	PACKING
12x3/8"	645B038012	12/360
12x1/2"	645B012012	12/360
14x1/2"	645B012014	12/252
15x1/2"	645B012015	12/252
16x1/2"	645B012016	10/300
18x1/2"	645B012018	10/160
18x3/4"	645B034018	10/160
20x1/2"	645B012020	10/160
22x3/4"	645B034022	8/128
25x3/4"	645B034025	8/128
28x1"	645B100028	6/114

TECHNICAL SPECIFICATIONS

Bodies in de-zincification resistant brass (DZR).

Minimum and maximum working temperatures:

-20°C, 120°C (allowed peaks of 150°C).

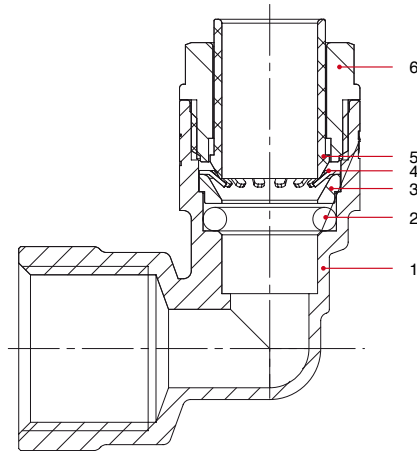
Nominal pressure:

Copper pipe: 20bar at 25°C, 10bar at 90°C.

PEX and polybutylene pipes: 12bar at 25°C, 5 bar at 90°C.

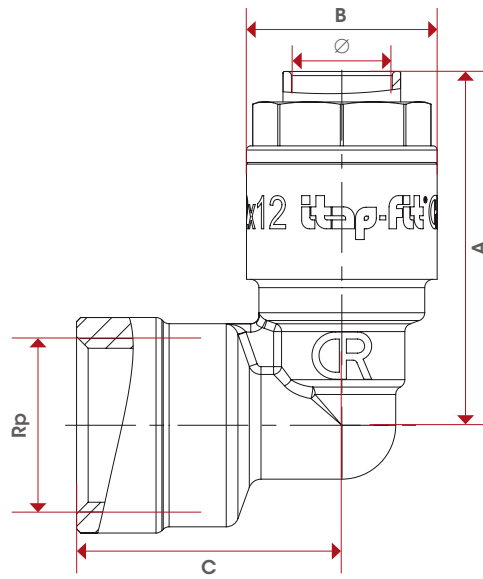
Threads: ISO 7/1 (equivalent to DIN EN 10226-1 and BS EN 10226-1).

MATERIALS



POS.	DESCRIPTION	N.	MATERIAL
1	Body	1	Brass CW602N
2	O-Ring	1	EPDM
3	Spacer	1	GRILON TSS/4
4	Fastening ring	1	Stainless steel AISI 301
5	Release collar	1	GRIVORY GV-SH
6	End adapter	1	GRIVORY GV-SH

OVERALL DIMENSIONS



	12x3/8"	12x1/2"	14x1/2"	15x1/2"	16x1/2"	18x1/2"	18x3/4"	20x1/2"	22x3/4"	25x3/4"	28x1"
A	42,7	42,7	43,6	43,9	44,5	49,6	49,6	54,6	53,9	58,6	59,9
B	23	23	25	26	27	31,5	31,5	34	36	40	43,7
C	28,5	32	32,6	33	33,5	34,5	37,3	35,5	40	41,4	47,2

CERTIFICATIONS



648

BACKPLATE FEMALE ELBOW

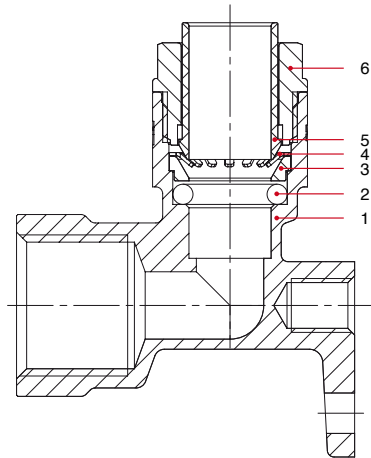


SIZE	CODE	PACKING
12x3/8"	648B038012	6/240
12x1/2"	648B012012	6/240
14x1/2"	648B012014	6/144
15x1/2"	648B012015	6/144
16x1/2"	648B012016	6/144
18x1/2"	648B012018	6/126
18x3/4"	648B034018	6/126
20x1/2"	648B012020	6/126

TECHNICAL SPECIFICATIONS

Bodies in de-zincification resistant brass (DZR).
 Minimum and maximum working temperatures:
 -20°C, 120°C (allowed peaks of 150°C).
 Nominal pressure:
 Copper pipe: 20bar at 25°C, 10bar at 90°C.
 PEX and polybutylene pipes: 12bar at 25°C, 5 bar at 90°C.
 Threads: ISO 7/1 (equivalent to DIN EN 10226-1 and BS EN 10226-1).
Sizes 12x3/8", 12x1/2", 18x1/2", 20x1/2", 18x3/4" available till out of stock.

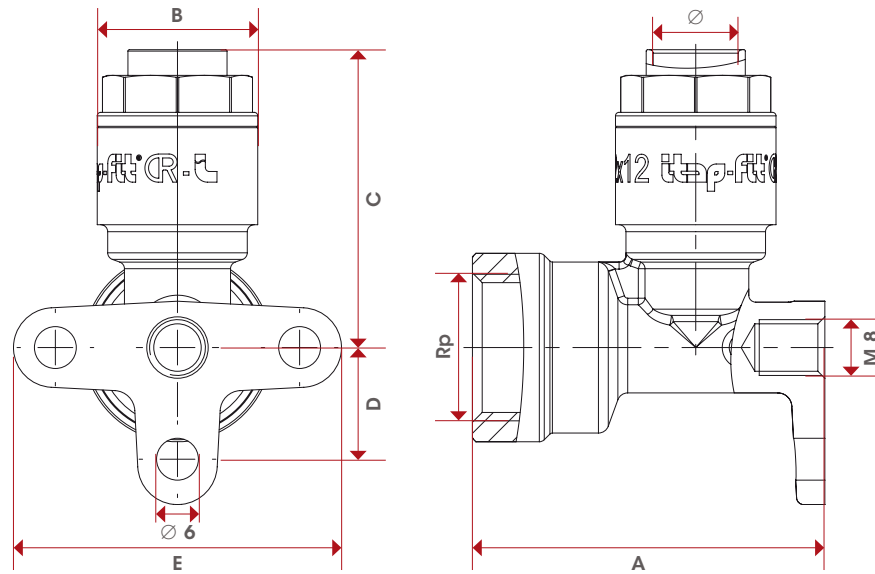
MATERIALS



POS.	DESCRIPTION	N.	MATERIAL
1	Body	1	Brass CW602N
2	O-Ring	1	EPDM
3	Spacer	1	GRILON TSS/4
4	Fastening ring	1	Stainless steel AISI 301
5	Release collar	1	GRIVORY GV-SH
6	End adapter	1	GRIVORY GV-SH



OVERALL DIMENSIONS



	12x3/8"	12x1/2"	14x1/2"	15x1/2"	16x1/2"	18x1/2"	18x3/4"	20x1/2"	22x3/4"
A	47	50,2	52,1	53	54	57,3	60,1	58,8	64,5
B	23	23	25	26	27	31,5	31,5	34	36
C	42,7	42,7	43,6	43,9	44,6	49,6	49,6	54,6	53,9
D	16	16	16	16	16	18	18	18	18
E	35	35	35	35	35	40	40	40	40

CERTIFICATIONS



650

ELBOW COUPLING

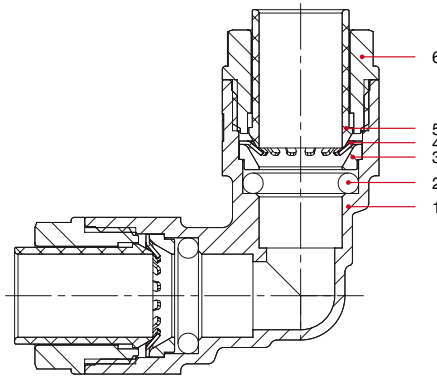


SIZE	CODE	PACKING
12	650C000012	12/360
14	650C000014	10/300
15	650C000015	10/210
16	650C000016	10/240
18	650C000018	10/160
20	650C000020	8/152
22	650C000022	8/152
25	650C000025	6/114
28	650C000028	5/95

TECHNICAL SPECIFICATIONS

Bodies in de-zincification resistant brass (DZR).
 Minimum and maximum working temperatures:
 -20°C, 120°C (allowed peaks of 150°C).
 Nominal pressure:
 Copper pipe: 20bar at 25°C, 10bar at 90°C.
 PEX and polybutylene pipes: 12bar at 25°C, 5 bar at 90°C.

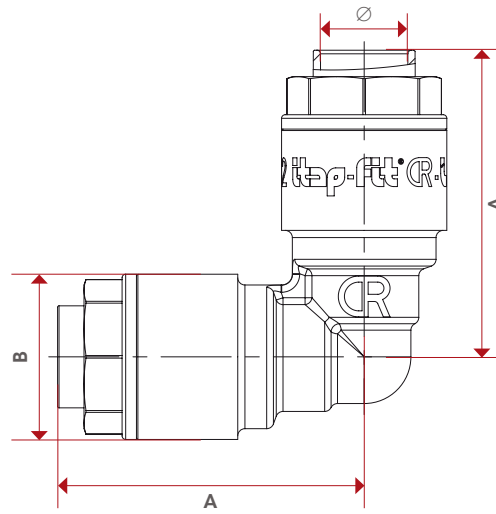
MATERIALS



POS.	DESCRIPTION	N.	MATERIAL
1	Body	1	Brass CW602N
2	O-Ring	2	EPDM
3	Spacer	2	GRILON TSS/4
4	Fastening ring	2	Stainless steel AISI 301
5	Release collar	2	GRIVORY GV-SH
6	End adapter	2	GRIVORY GV-SH



OVERALL DIMENSIONS



	12	14	15	16	18	20	22	25	28
A	42,7	43,6	43,9	44,5	49,6	54,6	53,9	58,5	59,9
B	23	25	26	27	31,5	34	36	40	43,7

CERTIFICATIONS



618

NICKEL-PLATED STRAIGHT MALE CONNECTOR, WITH AN O-RING



SIZE	CODE	PACKING
12x3/8"	6180038012	24/264
12x1/2"	6180012012	18/378
14x1/2"	6180012014	18/378
16x1/2"	6180012016	15/450
18x1/2"	6180012018	15/240

TECHNICAL SPECIFICATIONS

Designed to be used with Itap radiator valves, either manual or thermostatic, with a female thread, and with simple manifolds, with female outlets. Of course, it may be used with any radiator valve or manifold, as long as they are equipped with 1/2" or 3/8" female connections.

Body in nickel-plated brass.

O-ring in EPDM.

Minimum and maximum working temperatures:

-20°C, 120°C (allowed peaks of 150°C).

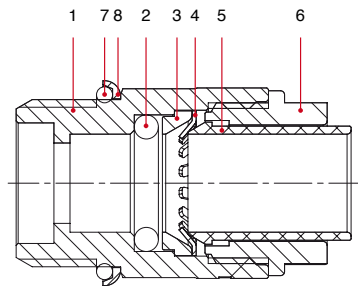
Nominal pressure: Copper pipe: 20bar at 25°C, 10bar at 90°C.

PEX and polybutylene pipes: 12bar at 25°C, 5 bar at 90°C.

Threads: ISO228 (equivalent to DIN EN ISO 228 and BS EN ISO 228).

12x3/8" and 18x1/2" sizes available till out of stock.

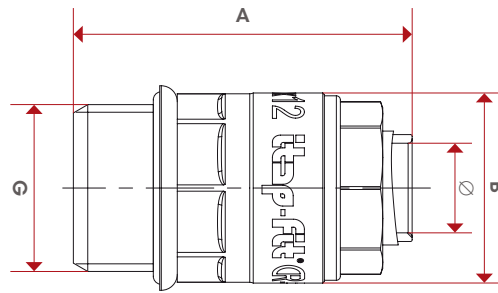
MATERIALS



POS.	DESCRIPTION	N.	MATERIAL
1	Body	1	Brass CW617N
2	O-Ring	1	EPDM
3	Spacer	1	GRILON TSS/4
4	Fastening ring	1	Stainless steel AISI 301
5	Release collar	1	GRIVORY GV-SH
6	End adapter	1	GRIVORY GV-SH
7	O-Ring	1	EPDM
8	Ring	1	Zinc-plated steel Fe



OVERALL DIMENSIONS



Ø x G	12x3/8"	12x1/2"	14x1/2"	15x1/2"	16x1/2"	18x1/2"	20x1/2"
A	39,7	42,4	43,4	43	45,5	53,6	57,4
B	23,7	23,7	25	26	27	31,5	34

CERTIFICATIONS



655

LINER



COMPATIBILITY CHART OF THE LINER
ART.655 TO CROSS-LINKED POLYETHYLENE
(PEX) OR POLYBUTYLENE PIPES.

CODE	OUTSIDE DIAMETER X THICKNESS OF THE PIPE (MM)
655BU012110	12X1.1, 14X2
655BU012160	12X1.6
655BU012180	12X1.8
655BU012200	12X2
655BU015180	15X1.8, 16X2.2, 16X2.3
655BU015250	15X2.5
655BU016150	16X1.5, 17X2, 18X2.5
655BU016180	16X1.8, 17X2.3
655BU016200	16X2
655BU018200	18X2
655BU020190	20X1.9, 20X2, 22X3
655BU020280	20X2.8
655BU022200	22X2, 22X2.1, 25X3.5
655BU025230	25X2.3
655BU025250	25X2.5
655BU028280	28X2.8
655BU028300	28X3

SIZE	CODE	PACKING
12 x 1,1 14 x 2	655BU012110	50,0
12 x 1,8	655BU012180	50,0
12 x 2	655BU012200	50,0
15 x 1,8 16 x 2,2 16 x 2,3	655BU015180	50,0
15 x 2,5	655BU015250	50,0
16 x 1,5 17 x 2 18 x 2,5	655BU016150	50,0
16 x 1,8 17 x 2,3	655BU016180	50,0
16 x 2	655BU016200	50,0
18 x 2	655BU018200	50,0
20 x 1,9 20 x 2 22 x 3	655BU020190	40,0
20 x 2,8	655BU020280	40,0
22 x 2 22 x 2,1 25 x 3,5	655BU022200	40,0
25 x 2,3	655BU025230	40,0
25 x 2,5	655BU025250	40,0
28 x 2,8	655BU028280	20,0
28 x 3	655BU028300	20,0

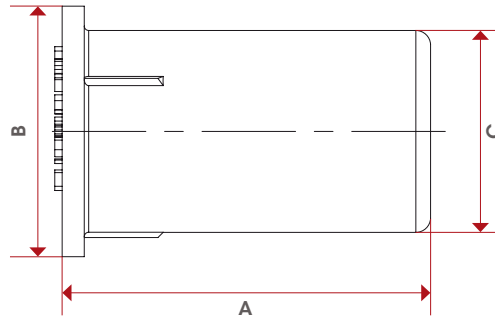
TECHNICAL SPECIFICATIONS

The liner has to be inserted into cross-linked polyethylene or polybutylene pipes before the joint to Itap-Fit® fittings is made.

MATERIALS

POS.	DESCRIPTION	N.	MATERIAL
1	Liner	1	GRIVORY HTV-5X1

OVERALL DIMENSIONS




	12x1,1 14x2	12x1,8	12x2,0	15x2,5	15x1,8 16x2,2 16x2,3	16x1,5 17x2,0 18x2,5	16x1,8 17x2,3	16x2,0	18x2,0	20x1,9 20x2,0 23x3,0	20x2,8	22x2,0 22x2,1 25x3,5	25x2,3	25x2,5	28x3,0	28x2,8
A	20	20	20	20	20	25	20	20	25	25	25	29	29	29	29	29
B	12	11,5	11,5	14	14,5	16	15	15	17	18	18	21	22,5	22,5	26,5	26,5
C	9,5	8,2	7,8	9,5	11,3	12,8	12,2	11,8	13,7	15,6	14,2	17,5	20	19,6	21,6	22,2

CERTIFICATIONS



660

COPPER REDUCTION



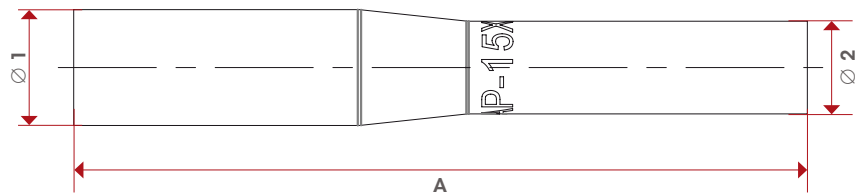
28-22 size available till out of stock.

SIZE	CODE	PACKING
15-12	660R015012	15/450
18-15	660R018012	12/360
22-15	660R022015	10/300
22-18	660R022018	10/300
28-22	660R028022	6/180

MATERIALS

POS.	DESCRIPTION	N.	MATERIAL
1	Reduction	1	Copper Cu-DHP

OVERALL DIMENSIONS



	15-12	16-12	18-14	18-15	20-14	20-15	20-16	22-15	22-16	22-18	25-16	25-20	28-15	28-18	28-22
A	95	96,5	99,5	100	100	100	100	100,5	100	100	104	110	109	108,5	110

CERTIFICATIONS



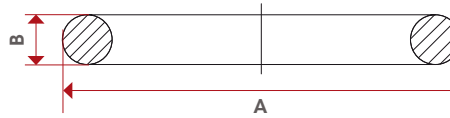
656

O-RING



SIZE	CODE	PACKING
12	656EP012	1/0
14	656EP014	1/0
15	656EP015	1/0
16	656EP016	1/0
18	656EP018	1/0
20	656EP020	1/0
22	656EP022	1/0
25	656EP025	1/0
28	656EP028	1/0

OVERALL DIMENSIONS



	12	14	15	16	18	20	22	25	28
A	11	13	14	15	17	19	21	24	27
B	3	3	3	3	4	4	4	4	4,5

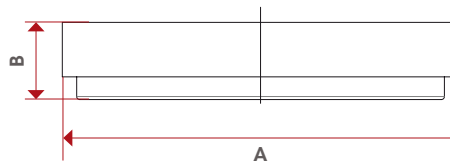
657

SPACER



SIZE	CODE	PACKING
12	657DI012	1/0
14	657DI014	1/0
15	657DI015	1/0
16	657DI016	1/0
18	657DI018	1/0
20	657DI020	1/0
22	657DI022	1/0
25	657DI025	1/0
28	657DI028	1/0

OVERALL DIMENSIONS



	12	14	15	16	18	20	22	25	28
A	11	13	14	15	17	19	21	24	27
B	3	3	3	3	4	4	4	4	4,5



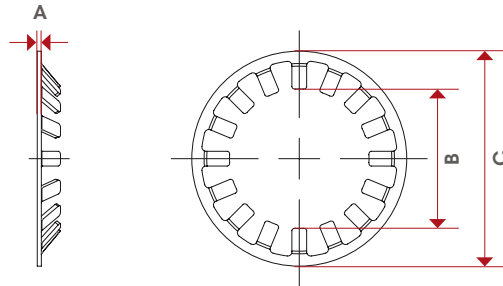
658

FASTENING RING



SIZE	CODE	PACKING
12	658AG012	1/0
14	658AG014	1/0
15	658AG015	1/0
16	658AG016	1/0
18	658AG018	1/0
20	658AG020	1/0
22	658AG022	1/0
25	658AG025	1/0
28	658AG028	1/0

OVERALL DIMENSIONS



	12	14	15	16	18	20	22	25	28
A	0,5	0,5	0,5	0,5	0,5	0,5	0,5	0,5	0,5
B	11	13	14	15	17	19	21	24	27
C	18	20	21	22	26,2	28	30	33	36,8

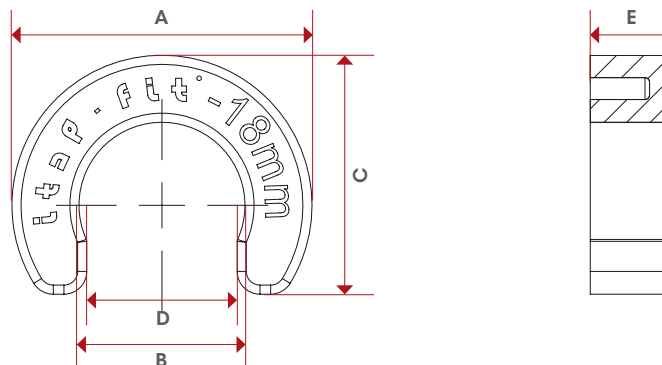
671

DISCONNECTING CLIP



SIZE	CODE	PACKING
12	671012	1/0
14	671014	1/0
15	671015	1/0
16	671016	1/0
18	671018	1/0
20	671020	1/0
22	671022	1/0
25	671025	1/0
28	671028	1/0

OVERALL DIMENSIONS



	12	14	15	16	18	20	22	25	28
A	26,2	29	30	31	32,9	34	37,2	40	44
B	12,2	14,2	15,2	16,2	18,2	20,2	22,2	25,2	28,2
C	21	23	24	25,1	26,2	27,2	29,8	32,6	35,2
D	11	12,9	13,7	14,6	16,5	18,6	20,1	22,7	25,5
E	8,5	8,5	8,5	8,5	9	9,5	9,5	10	10

685

DEPTH GAUGE



CODE	PACKING
685012028	1/60

675

ROTARY
PIPE CUTTER



CODE	PACKING
675012028	1/0

Suitable for pipes with diameter from 3mm to 35mm.

575

SHEAR
FOR MULTILAYER
AND PEX PIPES



CODE	PACKING
575014026	1/0

Suitable for pipes with diameter from 12mm to 25mm.

680

PIPE DEBURRING
TOOL



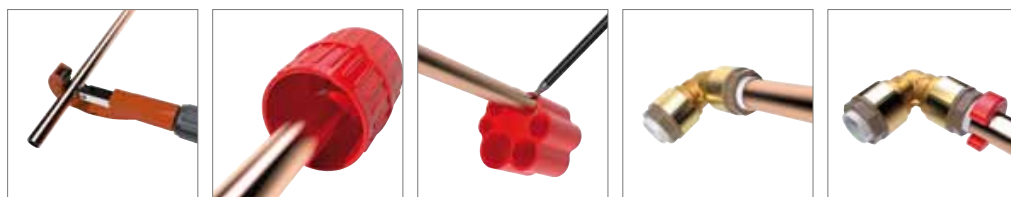
CODE	PACKING
680012028	1/100

Suitable for pipes with diameter from 3mm to 35mm.

Material: metal.

FOUR SIMPLE STEPS FOR A SAFE INSTALLATION

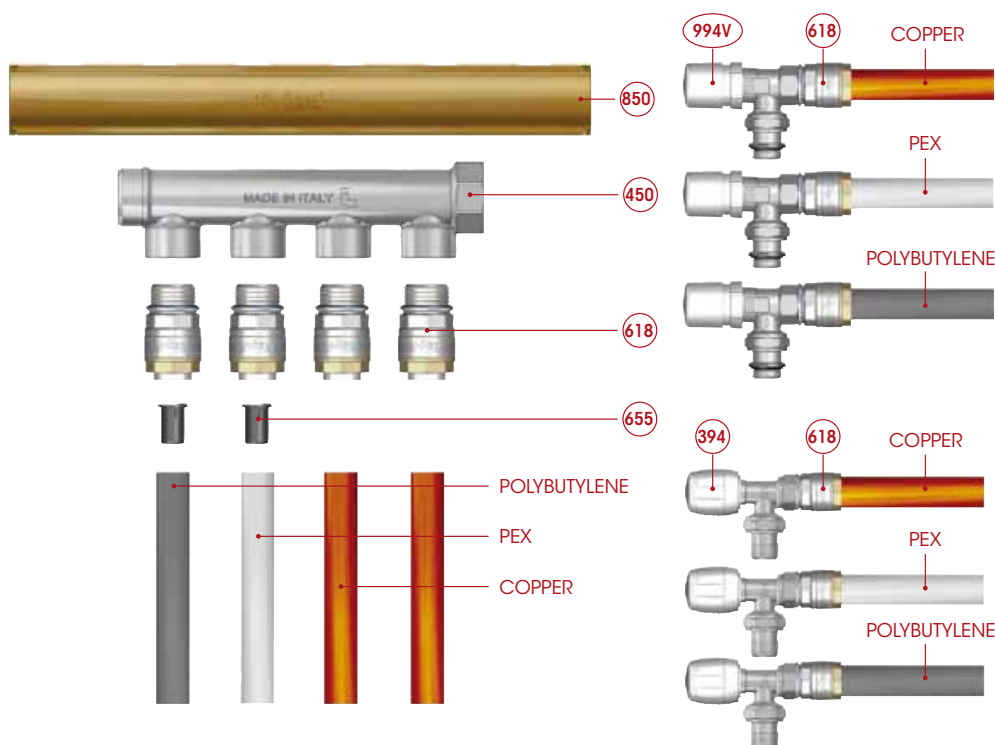
1. Cut the pipe by a rotary pipe cutter.
2. Deburr the external surface of the pipe.
3. Insert the pipe in the depth gauge and mark the pipe.
4. Insert the pipe by pushing it as far as it reaches the blocking point, that should correspond to the mark made before. If you are using cross-linked polyethylene pipes (PEX) or polybutylene pipes you have to insert the liner before the connection.
5. To disconnect the fitting you just need to push the release liner by the lever or the clip and at the same time pull the pipe.



ADVANTAGES

- SAVING OF TIME DURING THE INSTALLATION AS FAR AS 90%.
- SUITABLE FOR HEATING AND SANITARY SYSTEMS
- NO NEED OF SPECIAL OR EXPENSIVE TOOLS FOR THE INSTALLATION
- REVERSIBLE INSTALLATION

USE OF THE FITTINGS WITH COPPER, PEX AND POLYBUTYLENE



INSTALLATION