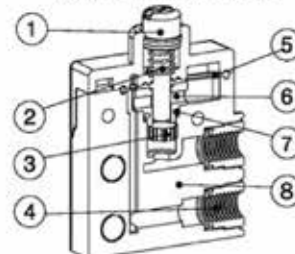


Microvalves



Line 100 poppet Microvalves are available in a wide range of versions and actuations in order to meet the most demanding applications requirements. Reduced dimensions, speed and signal precision represent some of the features of this Line, that can be supplied both with M5 connections and push-it fittings for pipe 4 mm, in the version with rear ports or side ports.

Used materials



- ① PUSHROD: POM
- ② PUSHROD SPRING: Stainless steel
- ③ SEAL: NBR
- ④ INSERTS: OT 58 Brass
- ⑤ SEAL: NBR
- ⑥ NOZZLE: POM
- ⑦ O-RING: NBR
- ⑧ BODY: POM

Technical data

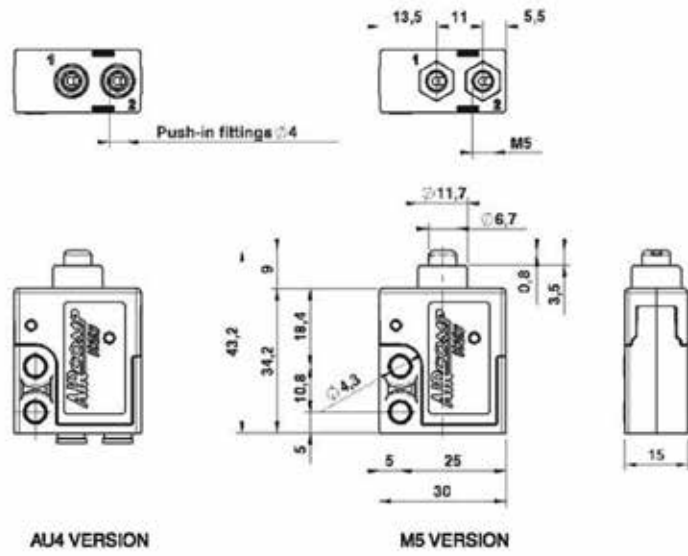
Construction: 2/2 - 3/2, NC and NO, poppet microvalve

Fluid: Filtered air with or without lubrication
Installation: Through holes in valve body, in any position

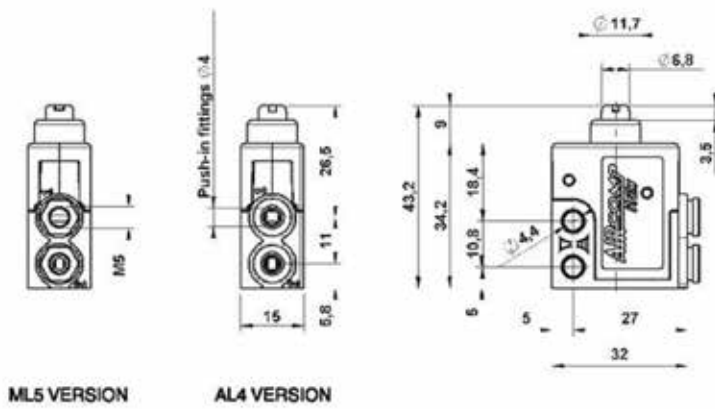
Connection type: M5 or \varnothing 4 mm Push-in fittings
Effective orifice: 2 mm

Working pressure: 2+10 Bar (0,20+1,00 MPa)
Temperature range: -5+50°C (23+122°F)
Reference flow rate (P=6 Bar - Δp =1 Bar): 75 Nl/min

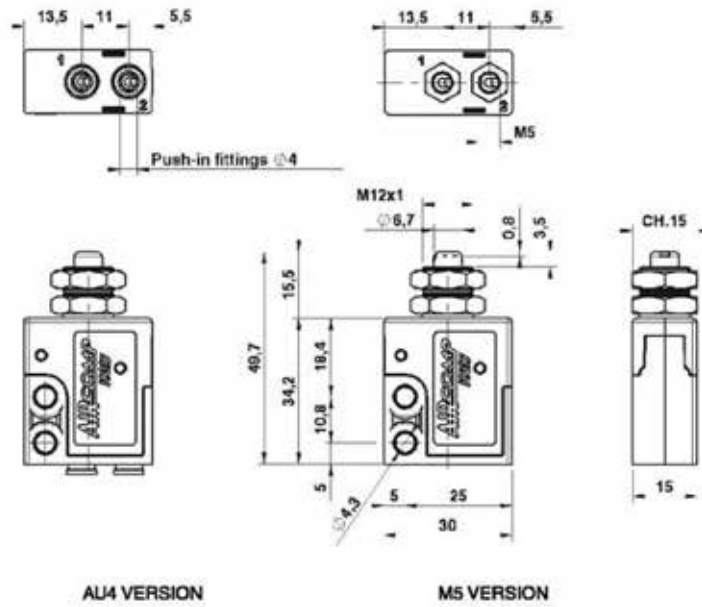
2/2 - 3/2 Pushrod Microvalves



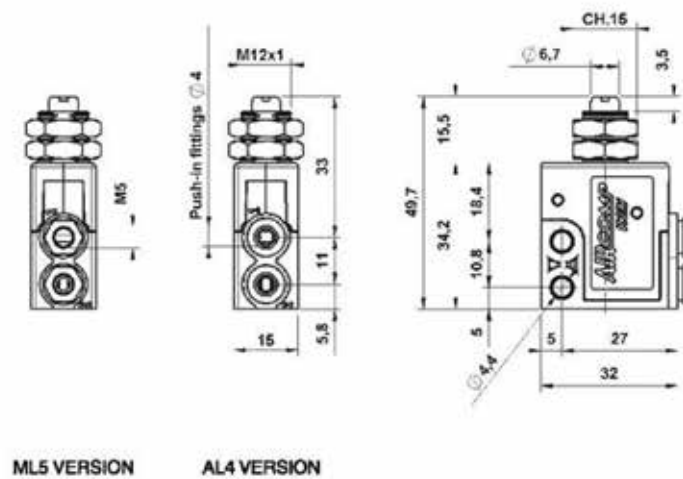
2/2 - 3/2 Pushrod Microvalves with side ports



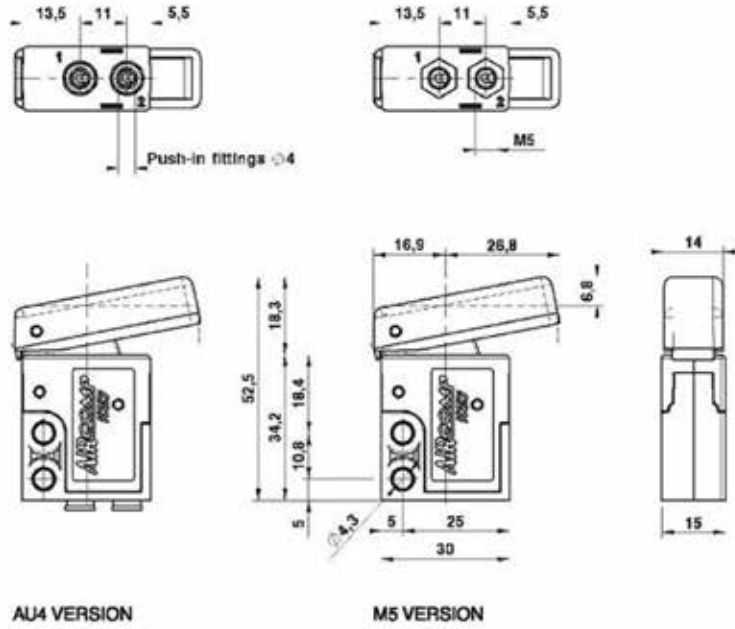
2/2 - 3/2 Through-wall pushrod Microvalves



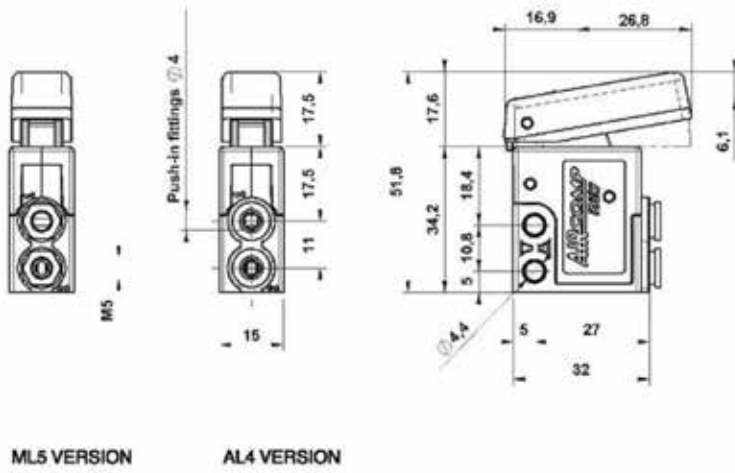
2/2 - 3/2 Through-wall pushrod Microvalves with side ports



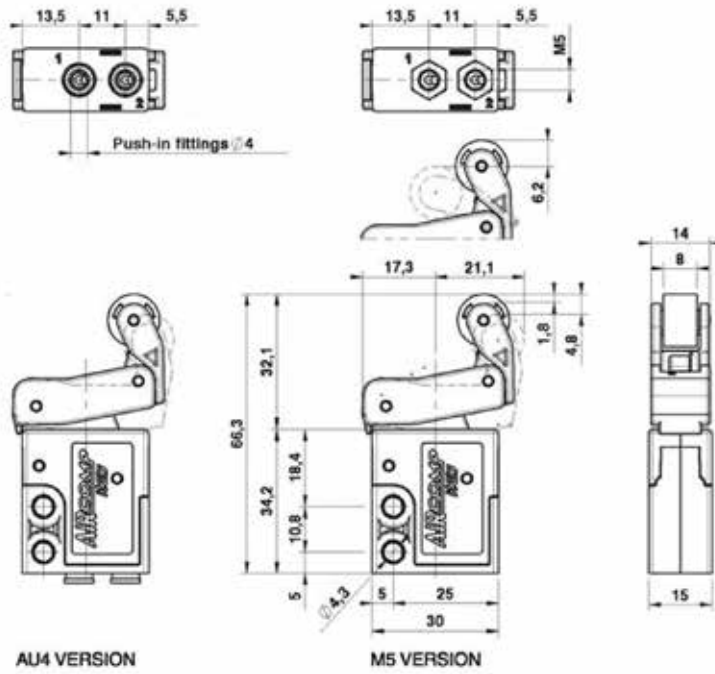
2/2 - 3/2 Push lever Microvalves



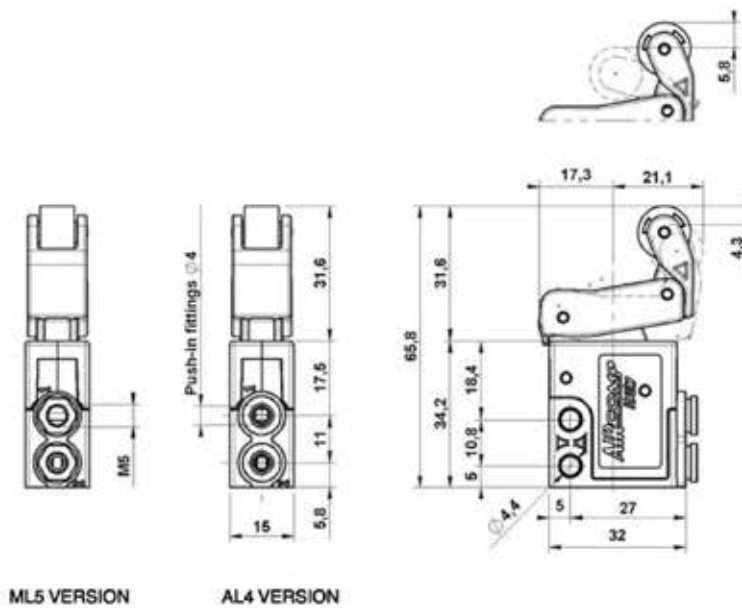
2/2 - 3/2 Push lever Microvalves with side ports



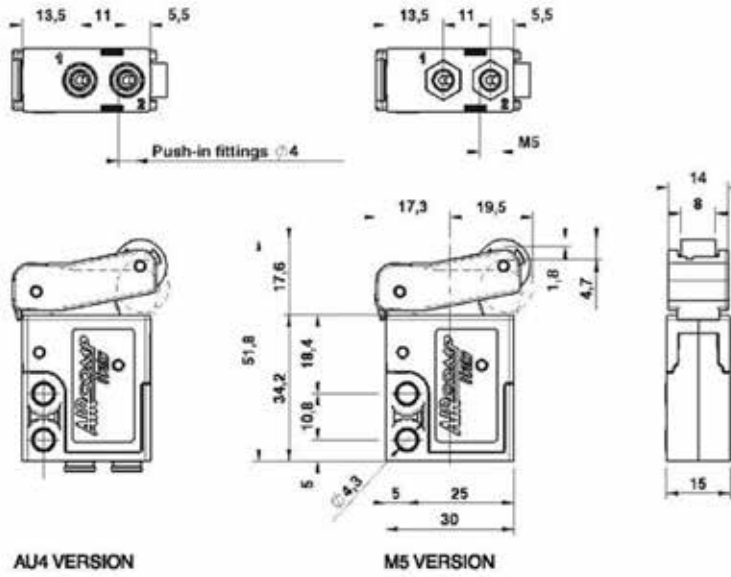
2/2 - 3/2 Unidirectional roller lever Microvalves



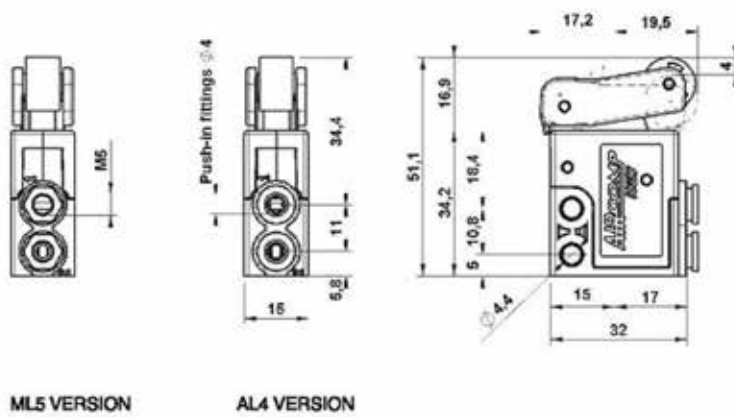
2/2 - 3/2 Unidirectional roller lever Microvalves with side ports



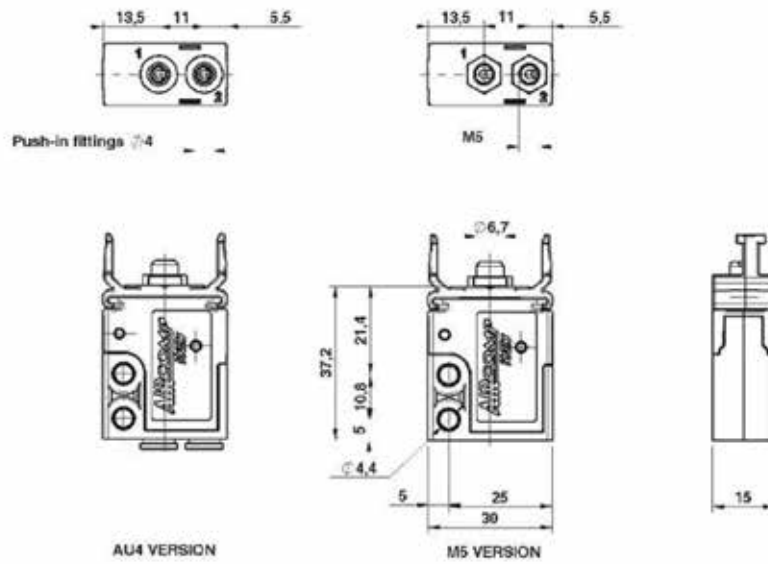
2/2 - 3/2 Roller lever Microvalves



2/2 - 3/2 Roller lever Microvalves with side ports



2/2 - 3/2 Microvalves for panel mounting actuators



2/2 - 3/2 Microvalves for panel mounting actuators with side ports

