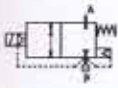


**2/2 WAY PILOT OPERATED SOLENOID VALVE, G 1/4" + G 1"**



**normally closed**

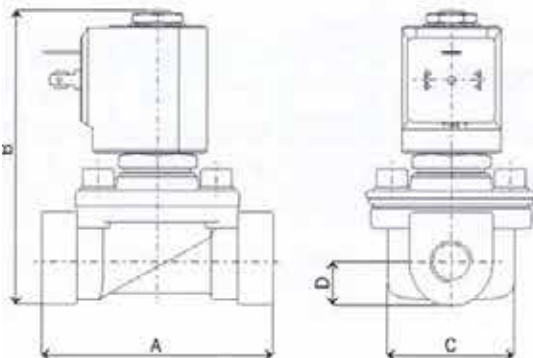
**TYPE: D887/888/889/890/892**

**TECHNICAL SPECIFICATIONS**

- Media: hot water, steam
- Media temperature: -10°C ... +150°C
- Ambient temperature: -10°C ... +70°C
- Body material: brass (CW617N EN 12165)
- Orifice material: stainless steel (AISI 303 EN 10088-3)
- Operator material: stainless steel
- Operator seal material: EPM PX 70/80
- Diaphragm material: PTFE
- Main seal material: EPM PX 70/80
- Coil power: AC 18VA (holding)  
AC 36VA (inrush)  
DC 22W
- Protection class: IP 65 (with connector)



SELECTION TABLE	VALVE	G connection	Nominal Diameter	Flow rate kv	OPD		COILS		
					min	max	class "H" only		
	Code	-	(mm)	(l/min)	(bar)	AC	DC	Code	(Volts/Hz)
	D887DPV	1/4"	11.5	35	0.3	4.5	4.5	7221	24/dc
	D888DPV	3/8"	11.5	50	0.3	4.5	4.5	7201	24/50 - 60
	D889DPV	1/2"	11.5	55	0.3	4.5	4.5	7401	110/50 - 120/60
	D890DPV	3/4"	11.5	70	0.3	4.5	4.5	7601	200/50 - 220/60
	D892DPV	1"	11.5	75	0.3	4.5	4.5	7701	230/50 - 240/60



DIMENSIONS & WEIGHTS	G connection	A	B	C	D	weight
		(mm)	(mm)	(mm)	(mm)	(Kg)
	-					
	1/4"	75	95	53	14	0.5
	3/8"	75	95	53	14	0.5
	1/2"	75	95	53	14	0.5
	3/4"	85	105	53	22	0.8
	1"	85	105	53	22	0.8