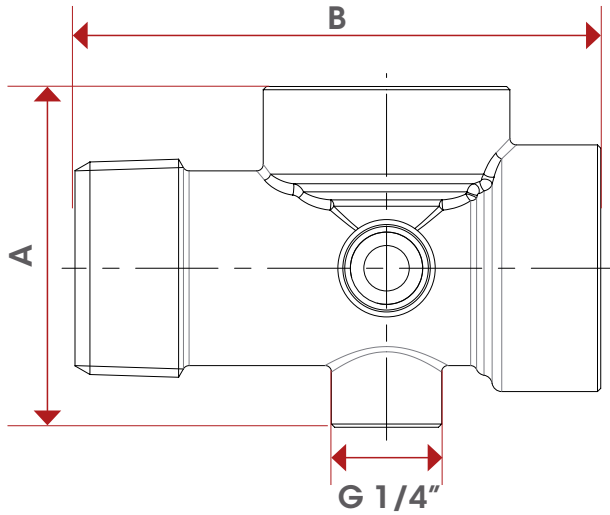


Brass Hose Connector for Pumps & Tanks



	1"
A	81
B	52,5
Kg/cm² bar	25
LBS - psi	362,5