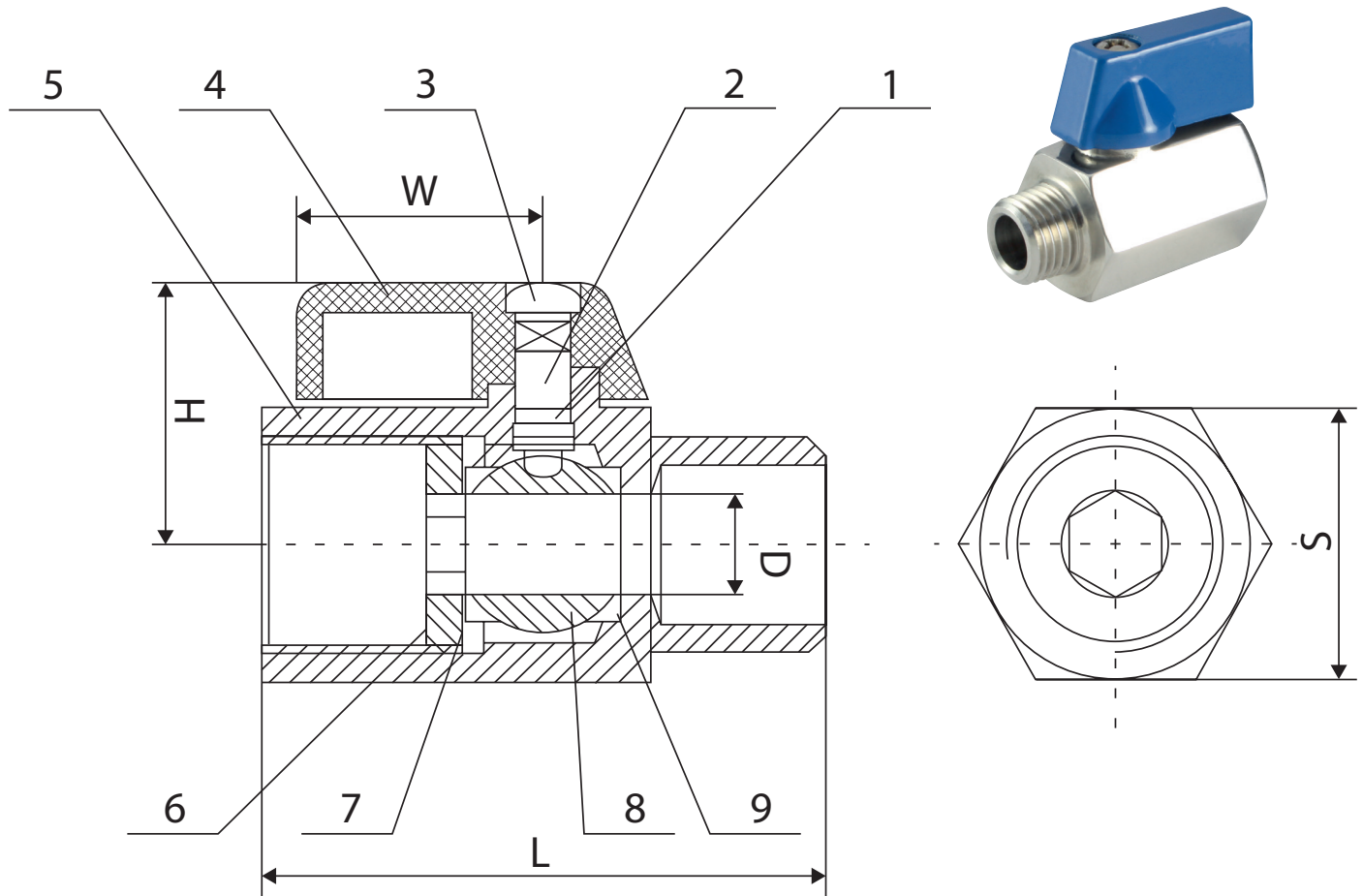


316 Stainless Steel Ball Valves

Hexagon Profile Male x Female, BSPP



Dimensions in mm	1/4"	3/8"	1/2"	3/4"	1"
D	7	7	9.2	12.5	15
L	42	42	48	54	65
H	28.5	26.5	28.3	31.5	34
W	22.8	22.8	22.8	22.8	22.8

Material Specifications		
1	O-Ring	Viton
2	Stem	304
3	Bolt	304
4	Lever	Aluminium Alloy
5	Body	CF8M
6	Cap	CF8M
7	Ball Seat (A)	RPTFE
8	Ball	CF8M
9	Ball Seat (B)	RPTFE

Pressure / Temperature Specifications	
Maximum Working Pressure	600 psi
Working Temperature (°C)	-40 °C to + 230 °C