



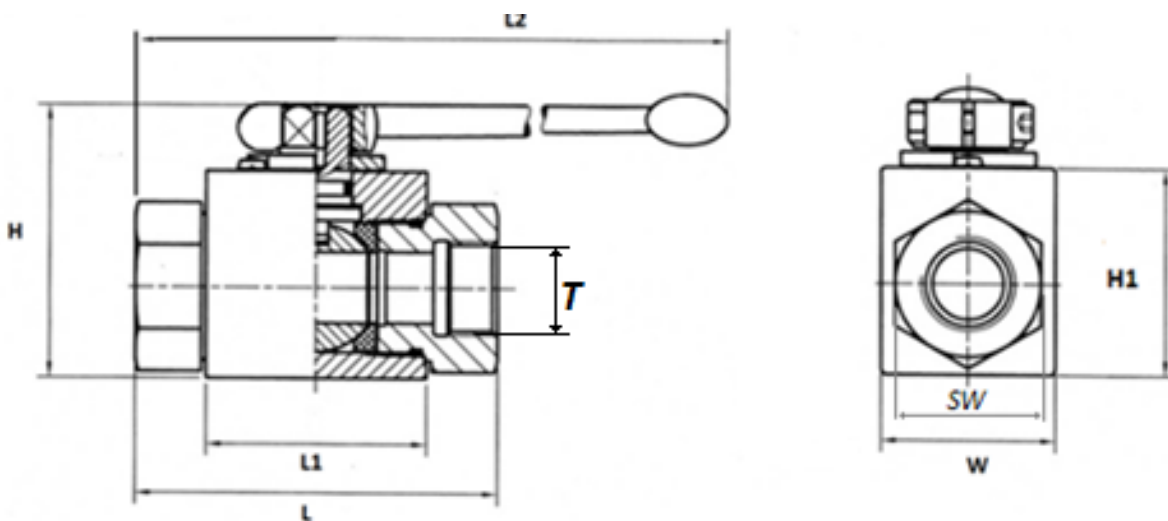
High Pressure Ball Valves

HBBVSS-Series Stainless Steel Ball Valves

(PN 500 bar)

Specification:

Body:	Stainless steel 1.4571 (316Ti)
Piston:	Stainless steel 1.4571 (316Ti)
Stem:	Stainless steel 1.4571 (316Ti)
Handle:	Zinc alloy
Standard O-Rings:	Viton
Ball seals:	DELTRIN (POM)
Temperature Range:	-40°C - +200°C



Part Code	PN	DN (mm)	L(mm)	L1(mm)	L2(mm)	H (mm)	H1(mm)	W (mm)	SW(mm)	T (mm)
HBBVSS-14	500 bar	6	69	40	152	78	35	26	22	1/4"
HBBVSS-38	500 bar	10	71	42	154	84	42	33	27	3/8"
HBBVSS-12	500 bar	13	82	48	159	86	45	36	30	1/2"
HBBVSS-34	315 bar	20	96	62	219	119	60	49	41	3/4"
HBBVSS-1	315 bar	25	113	66	228	128	65	58	50	1"