

PILOT OPERATED ANGLE SEAT VALVES



Specification

Model	KASV-SSP-38 KASV-SSSS-38	KASV-SSP-12 KASV-SSSS-12	KASV-SSP-34 KASV-SSSS-34	KASV-SSP-1 KASV-SSSS-1	KASV-SSP-114 KASV-SSSS-114	KASV-SSP-112 KASV-SSSS-112	KASV-SSP-2 KASV-SSSS-2	KASV-SSP-212 KASV-SSSS-212	KASV-SSP-3 KASV-SSSS-3
Fluid	Air, Water, Oil, Aggressive Media & Steam								
Kv Value	3.7	4.2	8	19	27.5	42	55	90	115
Port	G 3/8"	G 1/2"	G 3/4"	G 1"	G 1.1/4"	G 1.1/2"	G 2"	G 2.1/2"	G 3"
Nominal Diameter mm	13	13	20	25	32	40	50	65	80
Pressure Range	0-1.6Mpa (230psi)								
Minimum Pilot Pressure	0.3Mpa (45psi)	0.3Mpa (45psi)	0.35Mpa (50psi)	0.35Mpa (50psi)	0.35Mpa (50psi)	0.35Mpa (50psi)	0.35Mpa (50psi)	0.35Mpa (50psi)	0.35Mpa (50psi)
Medium Temperature	-10 to + 180°C								
Flow Direction	Flow A or Flow B								
Material of Valve Body	316L Stainless Steel								
Material of Valve Actuator	Option :SSP = PA				Option : SSSS = 316 Stainless Steel				
Seat Seal	PTFE								
Stem Seal	PTFE								
Piston Seal	PTFE								
Installation	Downstream / Upstream								
KASV-SSP Actuator Dimension mm	40/50	40/50	50	50/63	63	63	63/80	80	100
KASV-SSSS Actuator Dimension mm	50	50	50	50/63	63	63	63/90	90	90

Product Features

Angle Seat Valves are a pneumatically controlled valve with a piston actuator providing linear actuation to lift a seal off its seat. The seat is set at an angle to provide maximum flow when unseated.

Angle seat piston valves are particularly suited to applications where high temperatures, large flow rates, aggressive and viscous media are required. When used in reverse the valve will eliminate water hammer when operated.

- Long life (test on over 5 million cycles)
- Compact design
- Rotating actuator
- Fast response times
- Water hammer free flow under seat
- Position indicator
- Normally Open or Normally Closed options
- 3/8" to 3" BSPP

Ordering Code

KASV	—	SSP	—	38	—	NC
Code		Actuator		Size		Acting Type
316L Stainless Steel body, two position, two way		SSP: PA actuator head SSSS: 316L Stainless Steel actuator head		38: 3/8" 12: 1/2" 34: 3/4" 1: 1" 114: 1.14" 112: 1.1/2" 2: 2" 212: 2.1/2" 3: 3"		NC: Normally closed NO: Normally open

Sectors

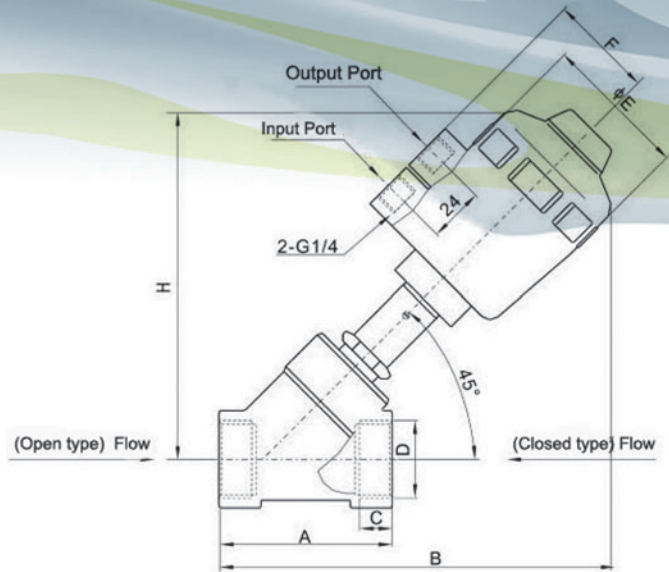
- Food & Beverage
- Textile
- Pharmaceutical
- Cosmetic
- Mining
- Paper Mills
- Laundry
- Water Treatment

PILOT OPERATED ANGLE SEAT VALVES

Dimensions

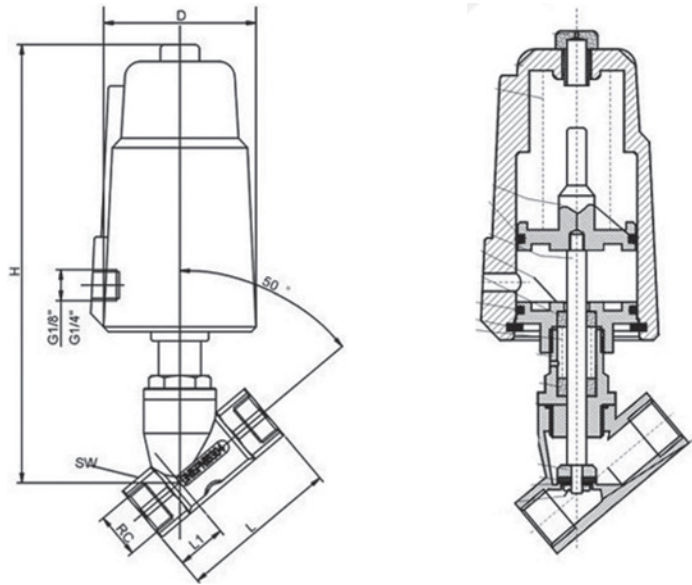
KASV-SSP

DN (mm)	Port Size	Actuator Dimension	A	B	C	E	F	H
10	3/8"	40/50	64	137/140	15	53/64	30/44	115
15	1/2"	40/50	76	168	16	64	44	145
20	3/4"	50	92	180	16	64	44	155
25	1"	50/63	103	184	21	64/80	44/52	175
32	1.1/4"	63	113	220	21	80	52	250
40	1.1/2"	63	128	220	21	80	52	194
50	2"	63/80	142	250/263	26	80/100	52/60	210/223
65	2.1/2"	80	185	280	26	100	60	240
80	3"	100	217	355	32	125	70	305



KASV-SSSS

DN (mm)	Port Size	Actuator Dimension	L	L1	SW	H	D
10	3/8"	50	64	25	21	186	66
15	1/2"	50	76	25	26.5	192	66
20	3/4"	50	92	28	32	210	66
25	1"	50/63	103	32	35	220/235	66/78
32	1.1/4"	63	113	35	50	250	78
40	1.1/2"	63	128	45	55.5	250	78
50	2"	63/90	142	48	68.5	272/290	78/105
65	2.1/2"	90	185	55	85	310	105
80	3"	90	217	69	100	330	105



Installation

