

# Mountable Steel Air Hose Reel

# CONAH



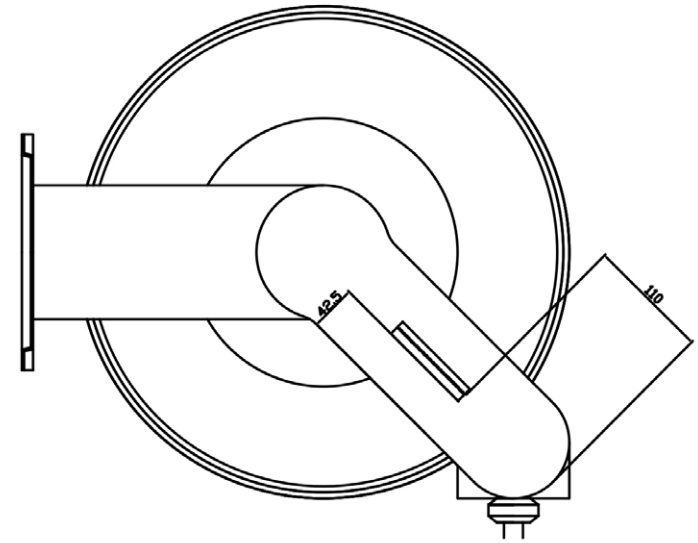
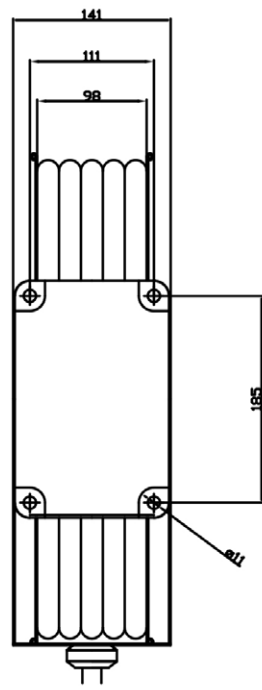
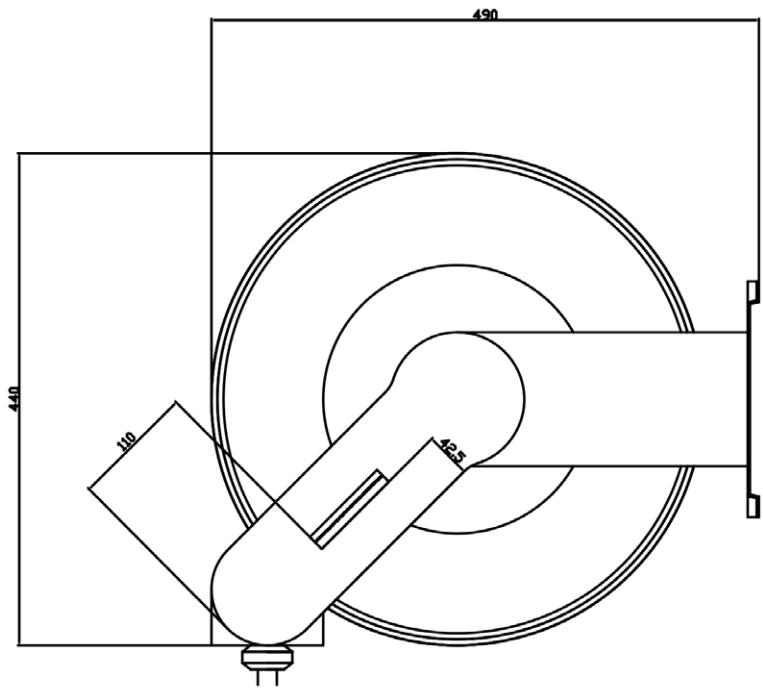
## Features

- Heavy ribbed steel plate
- Spring located in the centre
- Four-direction non-sag hose rollers
- Adjustable arm guide
- Elegant appearance, dual pedestal base
- Special swivel joint
- Ball bearing swivel joint structure
- Corrosion-resistant powder coating

## Benefits

- Strong support
- Ensures reel stability
- Reduces hose wear
- Enables wall, floor, ceiling and pit mounting
- Versatile usage
- Easy maintenance and repair
- Reduces friction, extending service life
- Used in most environments

Air Hose Reel	
SAHR-40N-34	
Hose working length	40m
Inlet	3/4" BSP female



UNLESS OTHERWISE STATED		NAME	DATE	TITLE
DIMENSIONS IN MM	DRAWN	DB	14032013	CONAH HOSE REEL
TOLERANCES	CHECKED			
FRACTIONAL +/- 0.10	ENG APP			
2 DECIMAL PLACE +/- 0.1	MFG APP			SIZE DWG NO
MATERIAL		GA		A SAHR-15-38
COMMENTS				
SCALE 1:1		WEIGHT		SHEET 1 OF 1