

EDH-SERIES



Shown from left to right:
EDH-3010, EDH-603, EDH-6010

EDH-SERIES DOUBLE ACTING, HOLLOW CENTER CYLINDERS

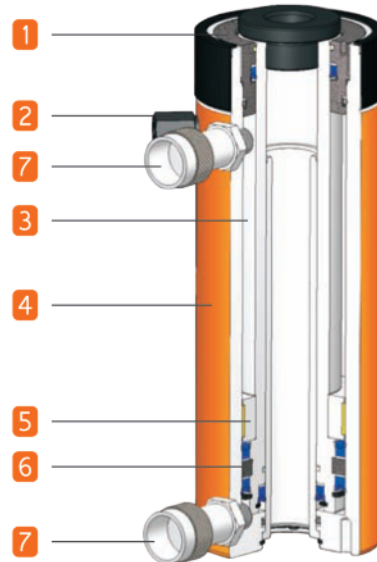
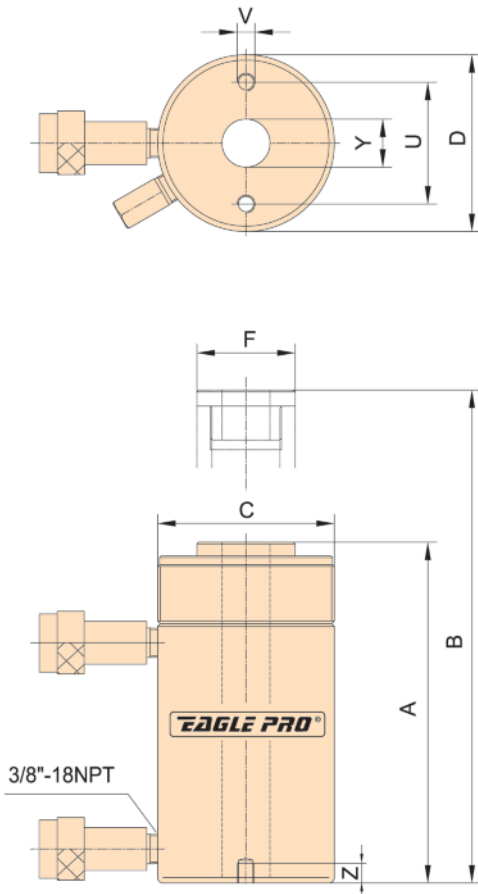
► Features

- ◆ Hollow piston design allow for both pulling and pushing actions.
- ◆ Complies with ASME B30.1. High strength steel for durability and increased safety.
- ◆ Double acting operation for fast piston retraction.
- ◆ Built-in safety valve prevents accidental over-pressurization.
- ◆ High quality EAB-201 quick couplers.
- ◆ Collar and piston threads for easy fixturing.
- ◆ Environmentally friendly painting process provides a durable corrosion resistant finish.



Cylinder Capacity @700bar ton	Stroke in	Model	Max.Cylinder Capacity		Cylinder Effective Area	
			Advance ton	Retract ton	Advance in ²	Retract in ²
30	7.01	EDH-307	32.8	22.3	7.39	5.02
	10.16	EDH-3010	32.8	22.3	7.39	5.02
60	3.50	EDH-603	60	38.7	13.55	8.71
	6.54	EDH-606	60	38.7	13.55	8.71
	10.12	EDH-6010	60	38.7	13.55	8.71
95	1.50	EDH-1001	93	60	20.96	13.50
	2.99	EDH-1003	93	60	20.96	13.50
	6.02	EDH-1006	93	60	20.96	13.50
	10.12	EDH-10010	93	60	20.96	13.50
140	8.00	EDH-1508	135.4	70.2	30.50	15.81

EDH-SERIES



1. Steel guide ring eliminates over travel, and also provides support to reduce wear from off center loads.
2. Safety valve automatic release the pressure to avoid overload.
3. Hardened and chromed piston increase durability and reduces wear.
4. All steel body with baked enamel finish for durability.
5. Industrial bearing ring provides additional support to reduce wear from off center loads.
6. Industrial seal ring assembly prevent costly leaks.
7. Standard coupler on all cylinders provided with heavy duty dust cover.

Oil Capacity		Collapsed Height	Extended Height	Collar thread	Outside Diameter	Piston Rod Diam.	Base Fix Holes			Center Hole Diameter	Weight	Model
Advance	Retract	A	B	C	D	F	Bolt Circle U	Thread V	Thread Depth Z	Y	lbs	
in ³	in ³	in	in	in	in	in	in	in	in	in		
51.79	35.20	12.99	20.00	4 1/2"-12	4.49	2.56	3.62	3/8"-16	0.61	1.31	46.2	EDH-307
75.09	51.00	16.97	27.13	4 1/2"-12	4.49	2.56	3.62	3/8"-16	0.61	1.31	59.4	EDH-3010
47.46	29.34	9.72	13.23	6 1/4"-12	6.26	3.62	5.12	1/2"-13	0.55	2.12	61.6	EDH-603
88.51	54.35	12.72	19.25	6 1/4"-12	6.26	3.62	5.12	1/2"-13	0.55	2.12	77	EDH-606
137.01	84.67	17.24	27.36	6 1/4"-12	6.26	3.62	5.12	1/2"-13	0.55	2.12	99	EDH-6010
31.35	20.19	6.50	7.99	-	8.35	5.00	7.01	5/8"-11	0.75	3.12	72.6	EDH-1001
62.65	40.38	10.00	12.99	8 3/8"-12	8.35	5.00	7.01	5/8"-11	0.75	3.12	134.2	EDH-1003
126.21	81.31	13.46	19.49	8 3/8"-12	8.35	5.00	7.01	5/8"-11	0.75	3.12	173.8	EDH-1006
211.98	136.58	18.11	28.23	8 3/8"-12	8.35	5.00	7.01	5/8"-11	0.75	3.12	235.4	EDH-10010
243.70	126.51	13.74	21.73	-	9.72	6.00	-	-	-	3.12	244.2	EDH-1508