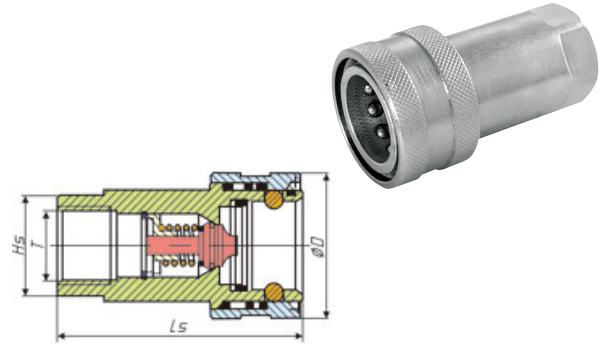


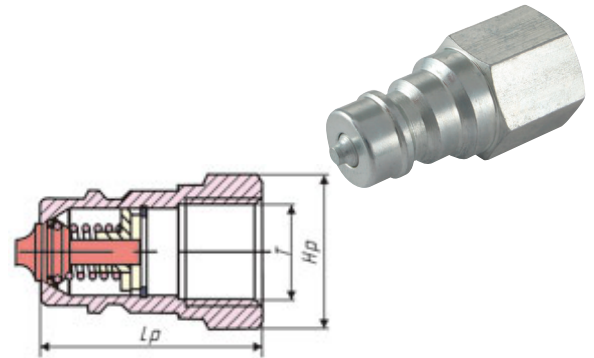
Hydraulic Quick Coupling (Carbon Steel) ISO-7241-A, Poppet Valve



| Part. No. | DN | Size | Ls | ΦD | Hs | T |
|------------|------|------|-------|-----|-----|-------------|
| HKSA04CS-V | 5.0 | 04SF | 47 | 25 | S19 | 1/4" BSPP |
| HKSA06CS-V | 8.5 | 06SF | 57 | 31 | S22 | 3/8" BSPP |
| HKSA08CS-V | 10.0 | 08SF | 66 | 38 | S27 | 1/2" BSPP |
| HKSA12CS-V | 15.0 | 12SF | 82.5 | 48 | S34 | 3/4" BSPP |
| HKSA16CS-V | 17.0 | 16SF | 97 | 54 | S41 | 1" BSPP |
| HKSA20CS-V | 23.0 | 20SF | 117 | 70 | S50 | 1.1/4" BSPP |
| HKSA24CS-V | 30.0 | 24SF | 133.5 | 84 | S60 | 1.1/2" BSPP |
| HKSA32CS-V | 38.0 | 32SF | 160 | 100 | S75 | 2" BSPP |



| Part. No. | DN | Size | Lp | Hp | T |
|------------|------|------|-----|-----|-------------|
| HKPA04CS-V | 5.0 | 04PF | 35 | S19 | 1/4" BSPP |
| HKPA06CS-V | 8.5 | 06PF | 39 | S22 | 3/8" BSPP |
| HKPA08CS-V | 10.0 | 08PF | 44 | S27 | 1/2" BSPP |
| HKPA12CS-V | 15.0 | 12PF | 55 | S34 | 3/4" BSPP |
| HKPA16CS-V | 17.0 | 16PF | 63 | S41 | 1" BSPP |
| HKPA20CS-V | 23.0 | 20PF | 75 | S50 | 1.1/4" BSPP |
| HKPA24CS-V | 30.0 | 24PF | 83 | S60 | 1.1/2" BSPP |
| HKPA32CS-V | 38.0 | 32PF | 100 | S75 | 2" BSPP |



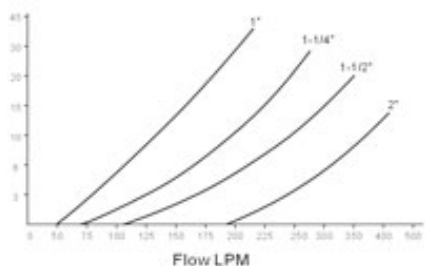
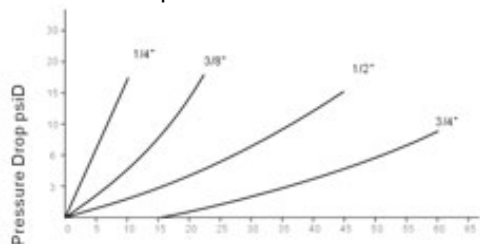
Applications This series couplings are used in a wide range of hydraulic applications including construction equipment, manufacturing machinery, and in-plant systems. They can be found anywhere the fluid transfer lines need to be connected and disconnected for operation or maintenance of equipment. Rugged construction makes this Series a good choice for mobile applications including dump trucks, snow plows, refuse hauling, mining, asphalt paving, truck trailer connections and many more. In-plant machinery applications include hydraulic fluid, chemicals and gas lines for paper mills, steel production, and many varieties of plant maintenance and production equipment.

PERFORMANCE:

75 SERIES(1/4"-2")

Test Fluid:hydraulic Oil at 100°F

OIL 40°C drop 28.8mm²/s-35.3mm²/s



INTERCHANGE

HANSEN HA15000 SERIES, AEROQUIP FD56 SERIES, PARKER 6600 SERIES, FASTER ANV SERIES, DNP PAV SERIES, STUCCHI BIR SERIES, SAFEWAY S56 SERIES

TEMPERATURE RANGE:

-25°C+120°C/-13°F+250°F

With standard seals: Buna-N(Nitrile)

On request seals: Viton, Neoprene, EPDM or other seals.

MAX. WORKING PRESSURE:

- 1/4"-----04: 350Bar
- 3/8"-----06: 315Bar
- 1/2"-----08: 250Bar
- 3/4"-----12: 250Bar
- 1"-----16: 230Bar
- 1-1/4"-----20: 230Bar
- 1-1/2"-----24: 180Bar
- 2"-----32: 130Bar

MATERIAL

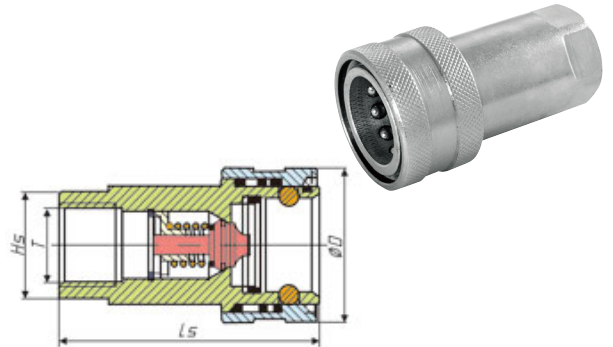
Coupler Body: STEEL, TRIVALENT PLATED
Valve: STEEL, POPPET TYPE
Springs: 55CrSi
Locking O-Ring : 55CrSi
Balls: GCr15
Seals: Buna-N (Nitrile)
Back-Up Ring: PTFE
Surface treatment: Zinc plating and Cr 3+ Passivation or Yellow Passivation

ATTENTION:

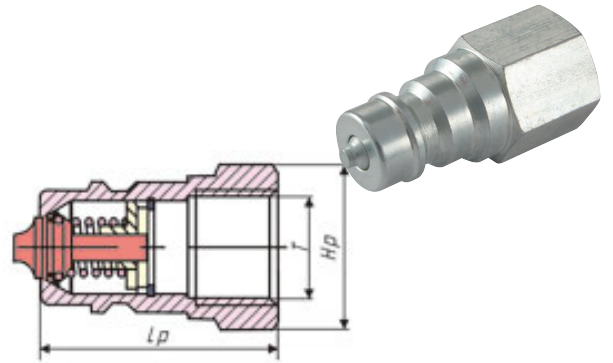
Only plug and socket with the same thread fit together.

HYDRAULIC QUICK COUPLING (STAINLESS STEEL 316) ISO-7241-A, POPPET VALVE

| Part. No. | DN | Size | Ls | ΦD | Hs | T |
|-----------|-----|------|------|----|-----|-----------|
| HKSA04SS | 5 | 04SF | 47 | 25 | S19 | 1/4" BSPP |
| HKSA06SS | 8.5 | 06SF | 57 | 31 | S22 | 3/8" BSPP |
| HKSA08SS | 10 | 08SF | 66 | 38 | S27 | 1/2" BSPP |
| HKSA12SS | 15 | 12SF | 82.5 | 48 | S34 | 3/4" BSPP |
| HKSA16SS | 17 | 16SF | 97 | 54 | S41 | 1" BSPP |

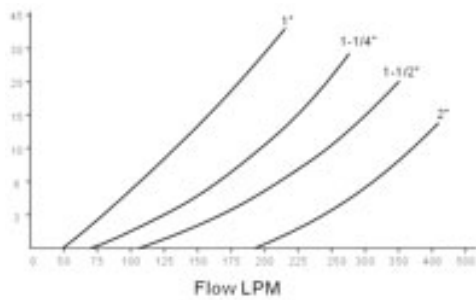
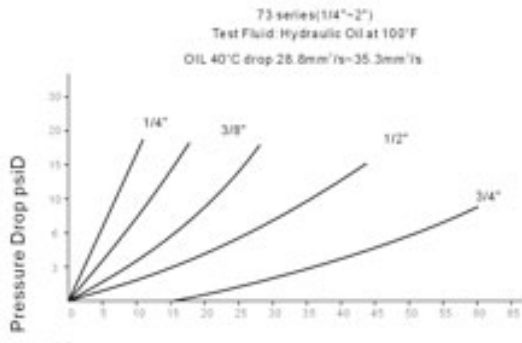


| Part. No. | DN | Size | Lp | Hp | T |
|-----------|-----|------|----|-----|-----------|
| HKPA04SS | 5 | 04PF | 35 | S19 | 1/4" BSPP |
| HKPA06SS | 8.5 | 06PF | 39 | S22 | 3/8" BSPP |
| HKPA08SS | 10 | 08PF | 44 | S27 | 1/2" BSPP |
| HKPA12SS | 15 | 12PF | 55 | S34 | 3/4" BSPP |
| HKPA16SS | 17 | 16PF | 63 | S41 | 1" BSPP |



Applications This series couplings are used in a wide range of hydraulic applications including construction equipment, manufacturing machinery, and in-plant systems. They can be found anywhere the fluid transfer lines need to be connected and disconnected for operation or maintenance of equipment. Rugged construction makes this Series a good choice for mobile applications including dump trucks, snow plows, refuse hauling, mining, asphalt paving, truck trailer connections and many more. In-plant machinery applications include hydraulic fluid, chemicals and gas lines for paper mills, steel production, and many varieties of plant maintenance and production equipment.

PERFORMANCE:



INTERCHANGE

HANSEN HA15000 SERIES, AEROQUIP FD56 SERIES,
PARKER 6600 SERIES, FASTER ANV SERIES, DNP PAVX SERIES,
STUCCHI BIR SERIES, SAFEWAY S56 SERIES

TEMPERATURE RANGE:

-25°C+175°C/-13°F+347°F

With standard seals: Viton

MAX. WORKING PRESSURE:

1/4"-----04: 250Bar

3/8"-----06: 200Bar

1/2"-----08: 200Bar

3/4"-----12: 160Bar

1"-----16: 125Bar

MATERIAL

Coupler Body: AISI316

Valve: AISI316, POPPET TYPE

Springs: SS302

Locking O-Ring: SS302

Balls: 440C

Back-Up Ring: PTFE

Seals: Viton or NBR

ATTENTION:

Only plug and socket with the same thread fit together.