

# MICRO ONE TOUCH NPT & UNF PLASTIC PUSH-IN FITTINGS

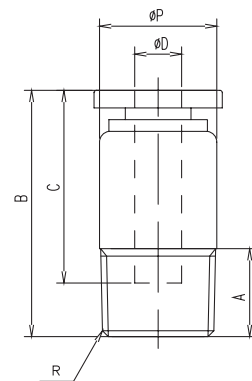
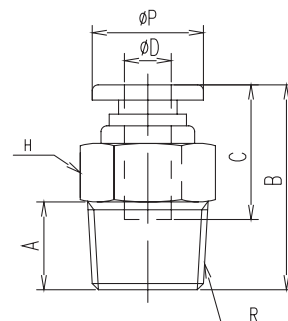
## Male Studs

PART NO	D	R	P	A	B	C	H
<b>NPT</b>							
PC1/8-N00C	1/8	NPT1/16	7.2	7	17.2	9.7	8
PC1/8-N01C	1/8	NPT1/8	7.2	7.5	17	9.7	10
PC5/32-N00C	5/32	NPT1/16	9.5	7	18.5	11.7	8
PC5/32-N01C	5/32	NPT1/8	9.5	7.5	17.5	11.7	10
PC1/4-N00C	1/4	NPT1/16	10.7	7	19.5	13.5	10
PC1/4-N01C	1/4	NPT1/8	10.7	7.5	20	13.5	10
PC06-M6C	6	M6	4.5	21.3	13.5	10	

<b>UNF</b>							
PC1/8-U10C	1/8	10-32	7.2	3.5	15	9.7	8
PC5/32-U10C	5/32	10-32	9.5	3.5	17.5	11.7	8
PC1/4-U10C	1/4	10-32	10.7	3.5	19.5	13.5	10

PART NO	D	R	P	A	B	C
<b>NPT</b>						
POC1/8-N00C	1/8	NPT1/16	8	7	17.5	9.7
POC1/8-N01C	1/8	NPT1/8	8	7.5	16.5	9.7
POC5/32-N00C	5/32	NPT1/16	10.5	7	16.5	11.7
POC5/32-N01C	5/32	NPT1/8	10.5	7.5	17	11.7
POC1/4-N00C	1/4	NPT1/16	10	7	22	13.5
POC1/4-N01C	1/4	NPT1/8	10.5	7.5	19.2	13.5

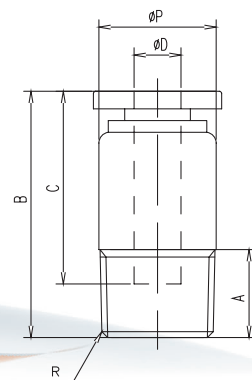
<b>UNF</b>						
POC1/8-U10C	1/8	10-32	8	3.5	15	9.7
POC5/32-U10C	5/32	10-32	8	3.5	17.5	11.7
POC1/4-U10C	1/4	10-32	10	3.5	18.8	13.5
POC04-M3C	4	M3	8	3	17	11.7
POC04-M5C	4	M5	8	3.5	17.5	11.7
POC04-M6C	4	M6	8	4.5	17.5	11.7
POC06-M5C	6	M5	10.5	3.5	19.8	13.5
POC06-M6C	6	M6	10.5	4.5	19.8	13.5



## Female Studs

PART NO	D	R	P	A	B	C	H
<b>NPT</b>							
PCF1/8-N01C	1/8	NPT1/8	7.2	8.5	21.2	9.7	12
PCF5/32-N00C	5/32	NPT1/16	9.5	5	22.2	11.7	10
PCF5/32-N01C	5/32	NPT1/8	9.5	8.5	22.7	11.7	12
PCF1/4-N00C	1/4	NPT1/16	10.7	8	22.7	13	10
PCF1/4-N01C	1/4	NPT1/8	10.7	8.5	22	13	12

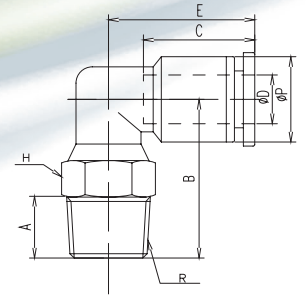
<b>UNF</b>							
PCF1/8-U10C	1/8	10-32	7.2	5	16.2	9.7	8
PCF5/32-U10C	5/32	10-32	9.5	5	19	11.7	8
PCF1/4-U10C	1/4	10-32	10.7	5	20	13	10



# Male Studs

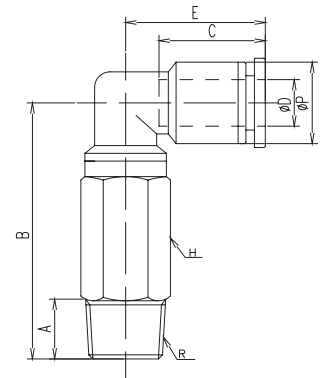
PART NO	D	R	A	B	C	E	H
<b>NPT</b>							
PL1/8-N00C	1/8	NPT1/16	7.5	16	9.7	12.8	9
PL1/8-N01C	1/8	NPT1/8	7	15.5	9.7	12.8	10
PL5/32-N00C	5/32	NPT1/16	7	17	11.7	15.7	9
PL5/32-N01C	5/32	NPT1/8	8	17.5	11.7	15.7	10
PL1/4-N00C	1/4	NPT1/16	7.5	18.5	13.5	16.7	10
PL1/4-N01C	1/4	NPT1/4	8	19	13.5	16.7	10

<b>UNF</b>							
PL1/8-U10C	1/8	10-32	3.5	13	9.7	12.8	8
PL5/32-U10C	5/32	10-32	3.5	17	11.7	11.7	8
PL1/4-U10C	1/4	10-32	3.5	18	13.5	13.5	10



PART NO	D	R	P	A	B	C	E	H
<b>NPT</b>								
PLL1/8-N00C	1/8	NPT1/16	7	7	21	9.7	12.8	9
PLL1/8-N01C	1/8	NPT1/8	7	7.5	21.5	9.7	12.8	10
PLL5/32-N00C	5/32	NPT1/16	8.5	7	27.5	11.7	15.7	9
PLL5/32-N01C	5/32	NPT1/8	8.5	7.5	28	11.7	15.7	10
PLL1/4-N00C	1/4	NPT1-16	10.5	7	30	13.5	16.7	10
PLL1/4-N01C	1/4	NPT1/8	10.5	7.5	30.5	13.5	16.7	10

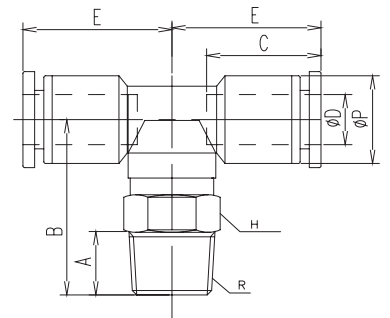
<b>UNF</b>								
PLL1/8-U10C	1/8	10-32	7	3.5	20	9.7	12.8	8
PLL5/32-U10C	5/32	10-32	8.5	3.5	24.5	11.7	15.7	8
PLL1/4-U10C	1/4	10-32	10.5	3.5	28.5	13.5	16.7	10



# Male Tees

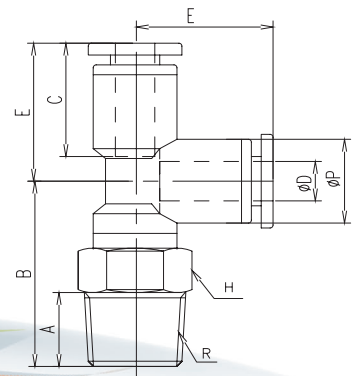
PART NO	D	R	P	A	B	C	E	H
<b>NPT</b>								
PT1/8-N00C	1/8	NPT1/8	7	7.5	16	9.7	11.6	8
PT1/8-N01C	1/8	NPT1/16	7	8	16.5	9.7	11.6	10
PT5/32-N01C	5/32	NPT1/16	8.5	7.5	19.2	11.7	13.8	8
PT5/32-N00C	5/32	NPT1/8	8.5	8	19.7	11.7	13.8	10
PT1/4-N00C	1/4	NPT1/16	10.5	7.5	21.7	13.5	17.5	10
PT1/4-N01C	1/4	NPT1/8	10.5	8	22.2	13.5	17.5	10

<b>UNF</b>								
PT1/8-U10C	1/8	10-32	7	3.5	15	9.7	11.6	8
PT5/32-U10C	5/32	10-32	8.5	3.5	16.2	11.7	13.8	8
PT1/4-U10C	1/4	10-32	10.5	3.5	21.2	13.5	17.5	10



PART NO	D	R	P	A	B	C	E	H
<b>NPT</b>								
PST1/8-N00C	1/8	NPT1/16	7	7	16	9.7	11.6	8
PST1/8-N01C	1/8	NPT1/8	7	7.5	16.5	9.7	11.6	10
PST5/32-N00C	5/32	NPT1/16	8.5	7	19.2	11.7	13.8	8
PST5/32-N01C	5/32	NPT1/8	8.5	7.5	19.7	11.7	13.8	10
PST1/4-N00C	1/4	NPT1/16	10.5	7	19.7	13.5	17.5	10
PST1/4-N01C	1/4	NPT1/8	10.5	7.5	20.2	13.5	17.5	10

<b>UNF</b>								
PST1/8-U10C	1/8	10-32	7	3.5	15	9.7	11.6	8
PST5/32-U10C	5/32	10-32	8.5	3.5	16.2	11.7	13.8	8
PST1/4-U10C	1/4	10-32	10.5	3.5	21.2	13.5	17.5	10



# Equal Connectors

PART NO	D	P	B	C
PUC1/8C	1/8	7	20.5	9.7
PUC5/32C	5/32	8.5	23.4	11.7
PU1/4C	1/4	10.5	28	13.5

PART NO	D	P	C	E
PUL1/8C	1/8	7	9.7	11.6
PUL5/32C	5/32	8.5	11.7	15.7
PUL1/4C	1/4	10.5	13.5	17.8

PART NO	D	P	C	E	F
PUT1/8C	1/8	7	9.7	11.6	4.7
PUT5/32C	5/32	8.5	11.7	13.8	5.7
PUT1/4C	1/4	10.5	13.5	18.5	N/A

PART NO	D	P	B	C	E	F	D
PY5/32C	5/32	8.5	29	11.7	8.5	12.5	3.2
PY1/4C	1/4	10.5	32	13.5	10.5	14	3.2

## Bulkheads

PART NO	D	P	M	A	B	C	H
PMM1/8C	1/8	7.2	8X0.75	11.8	23.6	9.7	10
PMM5/32C	5/32	9.5	10X1	13.1	26.2	11.7	12
PMM1/4C	1/4	10.7	12X1	13.1	26.2	13.5	14

PART NO	D	P	E	C1	H	B
PLM1/8C	1/8	6.80	15	8.70	10	23
PLM5/32C	5/32	8.7	19.2	11.4	12	25
PLM1/4C	1/4	10.8	20.1	11.5	14	28

## Speed Control Valves

PART NO	D	R	P	A	C	E	H	K
NSE 1/8-U10	1/8	10-32	10.5	4	15.5	19.7	8	10
NSE 5/32-U10	5/32	10-32	10.5	4	15.5	19.7	8	10
NSE 1/4-U10	1/4	10-32	13	4	15.6	22.5	8	10

